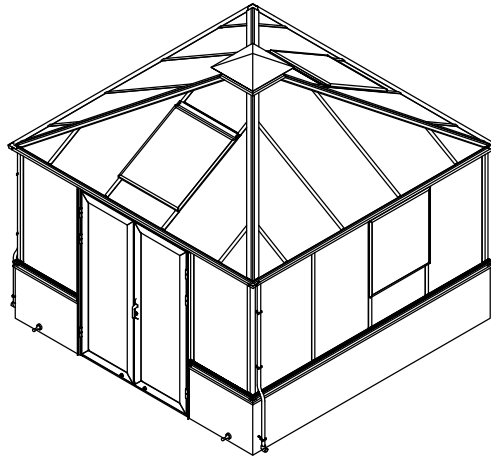


Green Room®

BY WILLAB GARDEN



3033-HD

Product size (L×W×H):314×314×303cm

Please read carefully before assembling
Two people are needed

3033-HD

Storlek (L×B×H):314×314×303cm

Läs noggrant innan montering.
Det krävs två personer för montering.

3033-HD

Størrelse (L×B×H):314×314×303cm

Læs venligst omhyggeligt, før montering.
Der kræves to personer til montering.

3033-HD

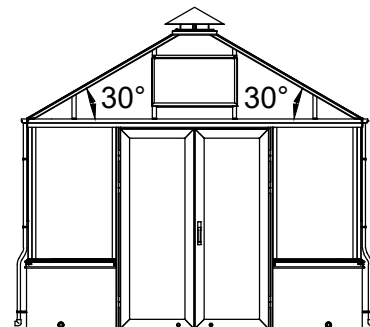
Størrelse (L×B×H):314×314×303cm

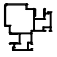


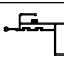
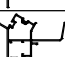

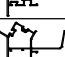





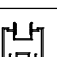

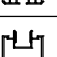

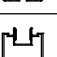
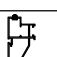
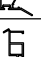

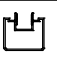
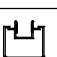
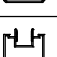



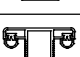
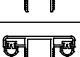


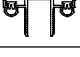
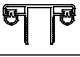
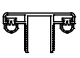
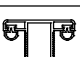
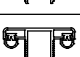
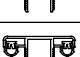


Les monteringsanvisningen nøye innen
montering.
Det kreves to personer for montering.

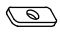







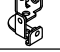





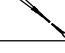














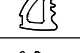
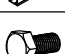

















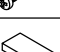
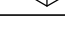

3033-HD


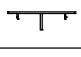

Koko (P×L×K):314×314×303cm


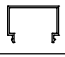

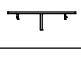
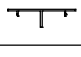

Lue ohjeet huolellisesti läpi ennen asentamista.
Asentamiseen tarvitaan kaksi henkilöä.

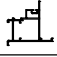

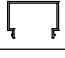
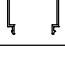

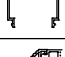





| Part | NO. | QTY. | Length(MM) | Page | Part | NO. | QTY. | Length(MM) | Page |
|---|-------------|------|------------|--------|---|------------|------|------------|--------|
|  | 30A-Y20 | 4 | 1236 | P3 |  | 30X-Y63-A | 4 | 452 | P13 |
|  | 30X-Y61-4 | 1 | 3138 | P3 |  | 30X-Y80E-A | 2 | 801 | P23 |
|  | 30X-Y60-4 | 1 | 3138 | P3 |  | 40X-Y81E | 8 | 882 | P23~24 |
|  | 30X-Y62-4NR | 1 | 3138 | P3 |  | 40X-Y82E | 2 | 801 | P23 |
|  | 30X-Y62-4NL | 1 | 3138 | P3 |  | 30X-Y80E-B | 2 | 801 | P24 |
|  | 40A-Y30R | 2 | 1235 | P5 |  | 30X-Y82E | 2 | 801 | P24 |
|  | 40A-Y30L | 2 | 1235 | P5 |  | 30X-Y62-A | 2 | 860 | P25 |
|  | 40X-Y34B | 6 | 713 | P5~7 |  | 30X-Y34-A | 2 | 790 | P25 |
|  | 40A-Y30 | 7 | 1235 | P5 | | | | | |
|  | 30X-Y63 | 4 | 432 | P6 | | | | | |
|  | 30X-Y63-B | 4 | 290 | P6 | | | | | |
|  | 30X-Y21-4 | 4 | 2128 | P6 | | | | | |
|  | 30X-Y32L-4 | 2 | 1278 | P6~7 | | | | | |
|  | 30X-Y31R-4 | 4 | 411 | P6~7 | | | | | |
|  | 30X-Y31L-4 | 4 | 411 | P6~7 | | | | | |
|  | 30X-Y33R-4 | 2 | 1278 | P7 | | | | | |
|  | 30X-Y33L-4 | 2 | 1278 | P7 | | | | | |
|  | 30X-Y32R-4 | 2 | 1278 | P7 | | | | | |
|  | 40A-Y01 | 17 | 1235 | P10 | | | | | |
|  | 40A-Y02 | 2 | 1235 | P10 | | | | | |
|  | 40X-Y07 | 4 | 712 | P10~12 | | | | | |
|  | 30X-Y03R-4 | 2 | 1317 | P12 | | | | | |
|  | 30X-Y03L-4 | 2 | 1317 | P12 | | | | | |
|  | 30X-Y05R-4 | 2 | 1317 | P12 | | | | | |
|  | 30X-Y05L-4 | 2 | 1317 | P12 | | | | | |
|  | 30X-Y04R-4 | 4 | 450 | P12 | | | | | |
|  | 30X-Y04L-4 | 4 | 450 | P12 | | | | | |
|  | 30X-Y07 | 2 | 712 | P12 | | | | | |
|  | 30X-Y08R-4 | 4 | 2099 | P12 | | | | | |
|  | 30X-Y08L-4 | 4 | 2099 | P12 | | | | | |
| | | | | 1a/30 | | | | | |

| Part | NO. | QTY. | Length(MM) | Page | Part | NO. | QTY. | Length(MM) | Page |
|---|----------|------|------------|--------|---|-----------|------|------------|--------|
|  | 7B26-025 | 8 | PCS | P2 |  | T07 | 8 | PCS | P26 |
|  | W06 | 20 | 46 | P2~24 |  | T03R | 2 | PCS | P27 |
|  | PS8-80 | 16 | PCS | P2 |  | T03L | 2 | PCS | P27 |
|  | J09 | 40 | PCS | P2~24 |  | T02A | 2 | PCS | P27 |
|  | 7B26-017 | 4 | PCS | P3 |  | M5-35 | 4 | PCS | P27 |
|  | M6-8 | 48 | PCS | P3~7 |  | 7C33-S02 | 2 | PCS | P29 |
|  | J08 | 1 | PCS | P3~25 |  | 7C33-S03 | 4 | PCS | P30 |
|  | L06 | 8 | 1400 | P3 |  | Z4.8-25 | 4 | PCS | P30 |
|  | Si6-16 | 112 | PCS | P3~7 |  | 7C33-S04 | 2 | PCS | P30 |
|  | J05 | 120 | PCS | P3~7 |  | J07-A | 2 | PCS | P30 |
|  | 7B26-018 | 8 | PCS | P3~6 |  | J07-B | 2 | PCS | P30 |
|  | W05 | 4 | 27 | P4 | | | | | |
|  | Si6-12 | 8 | PCS | P4 |  | 7B26-024 | 1 | PCS | P22 |
|  | 7B26-033 | 8 | PCS | P4 |  | 7C26-S01A | 2 | 1900 | P30 |
|  | Si5-16 | 24 | PCS | P5~7 | | | | | |
|  | 7C28-004 | 54 | PCS | P5~25 |  | 7C26-007N | 12M | | P11 |
|  | W02 | 4 | 22 | P6 |  | 7C26-009A | 1.2M | | P13 |
|  | S6-10 | 16 | PCS | P6~22 |  | MCJT002 | 14 | | P23~24 |
|  | Mi8 | 20 | PCS | P6~22 | | | | | |
|  | S8-12 | 20 | PCS | P6~22 |  | TOOL-001 | 1 | 274 | P2~30 |
|  | Z4.2-13 | 46 | PCS | P7~27 |  | TOOL-002 | 1 | 80 | P2~30 |
|  | 7B26-016 | 4 | PCS | P21 |  | TOOL-003A | 1 | 2MM | P5~25 |
|  | M4-10 | 16 | 10 | P21 |  | TOOL-004A | 1 | 3MM | P26 |
|  | 7B26-023 | 4 | PCS | P22 |  | TOOL-005 | 1 | 4MM | P3~18 |
|  | Mi6 | 16 | PCS | P22 |  | TOOL-006 | 1 | 5MM | P2~17 |
|  | 7B26-022 | 4 | PCS | P22 | | | | | |
|  | Mi8A | 4 | PCS | P22 | | | | | |
|  | W04 | 16 | PCS | P23~24 | | | | | |
|  | Z4.2-38 | 8 | PCS | P25 | | | | | |
|  | J11 | 4 | PCS | P25 | | | | | |
| | | | | 1b/30 | | | | | |













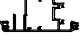

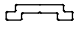
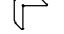

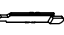






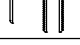


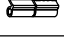
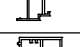
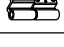
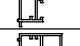

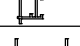





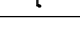





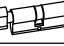
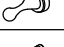





| | Part | NO. | QTY. | Length(MM) | Page |
|-------------------------|---|------------|------|------------|------|
| 3033P-S-BASE4 (2PCS) |  | 40A-Y11-4 | 2 | 3173 | P2 |
| |  | 40A-Y11-4A | 2 | 2963 | P2 |
| |  | 40X-Y14 | 2 | 3149 | P9 |
| |  | 30X-Y62-BN | 2 | 1512 | P28 |
| |  | 30X-Y62-CN | 2 | 761 | P28 |

| | Part | NO. | QTY. | Length(MM) | Page |
|------------|---|-------------|------|------------|------|
| 3033P-S-4F |  | 40A-Y12 | 1 | 3173 | P2 |
| |  | 40A-Y12-A | 1 | 3023 | P2 |
| |  | 40X-Y14 | 1 | 3149 | P9 |
| |  | 30X-Y60-4AN | 1 | 3136 | P28 |
| |  | 30X-Y62-BN | 1 | 1512 | P28 |
| |  | 30X-Y62-CN | 1 | 761 | P28 |

| | Part | NO. | QTY. | Length(MM) | Page |
|------------|---|-------------|------|------------|------|
| 3043PA-S-4 |  | 40A-Y13L | 1 | 854 | P2 |
| |  | 40A-Y13R | 1 | 854 | P2 |
| |  | 40A-S11-4AL | 1 | 749 | P2 |
| |  | 40A-S11-4AR | 1 | 749 | P2 |
| |  | 40A-Y13L-A | 1 | 779 | P2 |
| |  | 40A-Y13R-A | 1 | 779 | P2 |
| |  | 40A-Y15-L | 1 | 842 | P9 |
| |  | 40A-Y15-R | 1 | 842 | P9 |

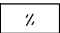
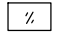
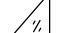
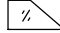
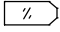
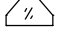
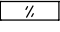
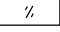
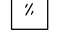
| | Part | NO. | QTY. | Length(MM) | Page |
|-------------------|---|-------------|------|------------|------|
| 3000P-30X-Y60-4AN |  | 30X-Y60-4AN | 1 | 3136 | P28 |

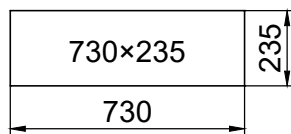
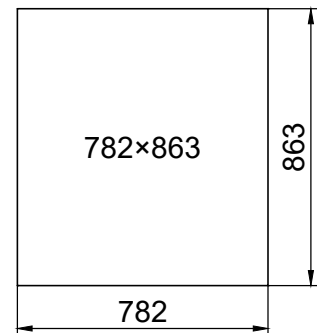
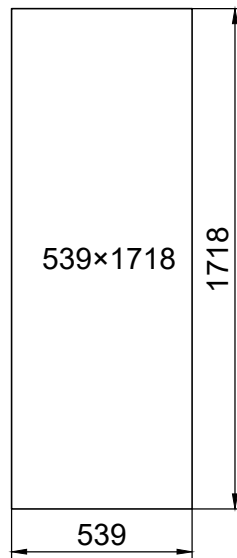
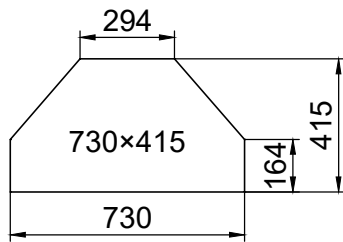
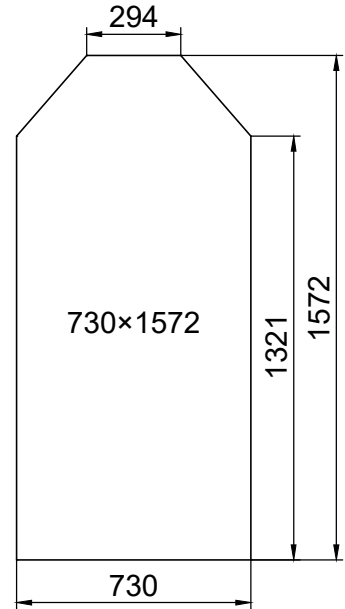
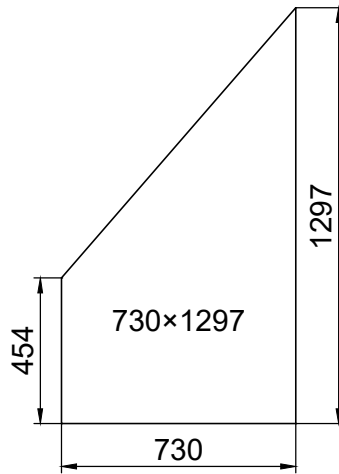
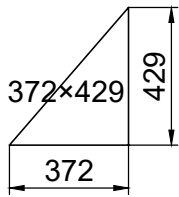
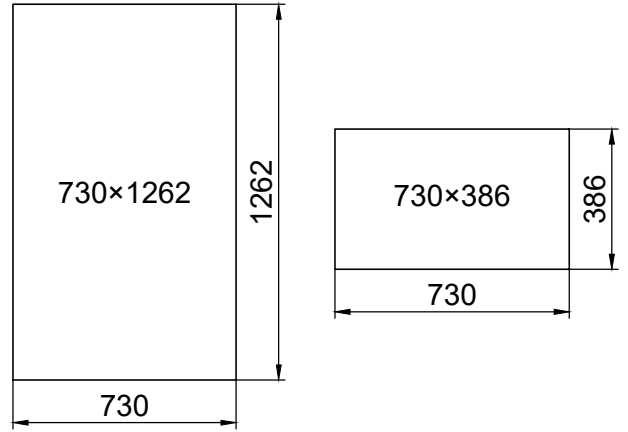
3040P-HD

| Part | NO. | QTY. | Length(MM) | Page | Part | NO. | QTY. | Length(MM) | Page |
|---|-----------|------|------------|------|---|-------------|------|------------|--------|
|  | 40A-Y101L | 1 | 1910 | P6 |  | 7C26-031 | 2 | PCS | P6 |
|  | 40A-Y101R | 1 | 1910 | P6 |  | Si6-25 | 8 | PCS | P6 |
|  | 40A-Y108R | 1 | 693 | P14 |  | J05 | 8 | PCS | P6 |
|  | 40A-Y106 | 2 | 1872 | P14 |  | PSJ8-50 | 2 | PCS | P6 |
|  | 40A-Y107R | 1 | 1872 | P14 |  | DQ6-12 | 2 | PCS | P6 |
|  | 40A-Y109R | 1 | 693 | P14 |  | SW6-50 | 2 | PCS | P6 |
|  | 40A-Y107L | 1 | 1872 | P14 |  | W07 | 8 | 37 | P14 |
|  | 40A-Y115 | 2 | 766 | P14 |  | W04 | 8 | PCS | P14 |
|  | 40A-Y108L | 1 | 693 | P14 |  | T19 | 2 | PCS | P14 |
|  | 40A-Y109L | 1 | 693 | P14 |  | 40X-Y91-A3 | 1 | PCS | P14 |
|  | 40A-Y110 | 4 | 1748 | P15 |  | Z3.5-25 | 2 | PCS | P14 |
|  | 40A-Y111 | 4 | 569 | P15 |  | Z4.2-38 | 4 | PCS | P15 |
|  | 40A-Y112 | 4 | 1754 | P15 |  | 7C28-004 | 4 | PCS | P15 |
|  | 40A-Y113 | 4 | 576 | P15 |  | T11R(-1/-2) | 3 | PCS | P16~19 |
|  | 40A-Y114 | 1 | 1817 | P15 |  | T11L(-1/-2) | 3 | PCS | P16~19 |
|  | 40A-Y102L | 1 | 1910 | P17 |  | Ma6-12 | 8 | PCS | P17~18 |
|  | 40A-Y102R | 1 | 1910 | P17 |  | M6 | 8 | PCS | P17~18 |
|  | 40A-Y103 | 1 | 1380 | P18 |  | 7C33-001 | 8 | PCS | P17 |
|  | 40A-Y104 | 1 | 1380 | P18 |  | M6-35 | 8 | PCS | P17 |
|  | 40A-Y105 | 1 | 1380 | P18 |  | My6-30 | 8 | PCS | P17 |
| | | | | |  | 7B26-122 | 2 | PCS | P18 |
| | | | | |  | My6-10 | 4 | PCS | P18 |
| | | | | |  | Si5-16 | 2 | PCS | P18 |
| | | | | |  | T16 | 1 | PCS | P20 |
| | | | | |  | Mc5-35 | 2 | PCS | P20 |
| | | | | |  | T14 | 1 | PCS | P20 |
| | | | | |  | T15 | 1 | PCS | P20 |
| | | | | |  | T21 | 2 | PCS | P20 |
| | | | | |  | J07-A | 6 | PCS | P20 |
| | | | | |  | Za4.2-38 | 6 | PCS | P20 |
| | | | | |  | TOOL-003B | 1 | 2.5MM | P14~19 |

Spare Part Bag For Green Room Square Wall

| Part | NO. | QTY. | Length(MM) | Page | Part | NO. | QTY. | Length(MM) | Page |
|---|----------|------|------------|--------|---|----------|------|------------|--------|
|  | 7B26-025 | 2 | PCS | P2 |  | DQ6-12 | 2 | PCS | P17 |
|  | J09 | 4 | PCS | P2~24 |  | Ma6-12 | 2 | PCS | P17~18 |
|  | M6-8 | 4 | PCS | P3~7 |  | M6 | 2 | PCS | P17~18 |
|  | Si6-16 | 10 | PCS | P3~7 |  | 7C33-001 | 2 | PCS | P17 |
|  | J05 | 10 | PCS | P3~17 |  | M6-35 | 2 | PCS | P17 |
|  | Si6-12 | 2 | PCS | P4 |  | My6-30 | 2 | PCS | P17 |
|  | 7B26-033 | 2 | PCS | P4 |  | My6-10 | 2 | PCS | P18 |
|  | Si5-16 | 4 | PCS | P5~7 |  | Mc5-35 | 2 | PCS | P20 |
|  | 7C28-004 | 6 | PCS | P5~25 |  | J07-A | 2 | PCS | P20~29 |
|  | S6-10 | 4 | PCS | P6~22 |  | Za4.2-38 | 2 | PCS | P20 |
|  | Mi8 | 4 | PCS | P6~22 |  | M4-10 | 4 | PCS | P21 |
|  | S8-12 | 4 | PCS | P6~22 |  | Mi6 | 4 | PCS | P22 |
|  | Z4.2-13 | 6 | PCS | P7~27 |  | Mi8A | 2 | PCS | P22 |
|  | Z3.5-25 | 2 | PCS | P14 |  | J11 | 2 | PCS | P25 |
|  | W04 | 4 | PCS | P14~24 |  | T07 | 2 | PCS | P26 |
|  | Z4.2-38 | 2 | PCS | P15~25 |  | M5-35 | 2 | PCS | P27 |
|  | 7C26-031 | 2 | PCS | P17 |  | Z4.8-25 | 2 | PCS | P30 |
|  | Si6-25 | 2 | PCS | P17 | | | | | |

| Part | NO. | QTY. | Length(MM) | Page |
|---|----------|------|------------|--------|
|  | 730×1262 | 12 | 1262 | P8 |
|  | 730×386 | 2 | 730 | P8 |
|  | 372×429 | 8 | 429 | P12 |
|  | 730×1297 | 8 | 1297 | P12 |
|  | 730×1572 | 2 | 1572 | P12 |
|  | 730×415 | 2 | 730 | P12 |
|  | 730×235 | 2 | 730 | P12 |
|  | 539×1718 | 2 | 1718 | P15 |
|  | 782×863 | 4 | 863 | P23~24 |



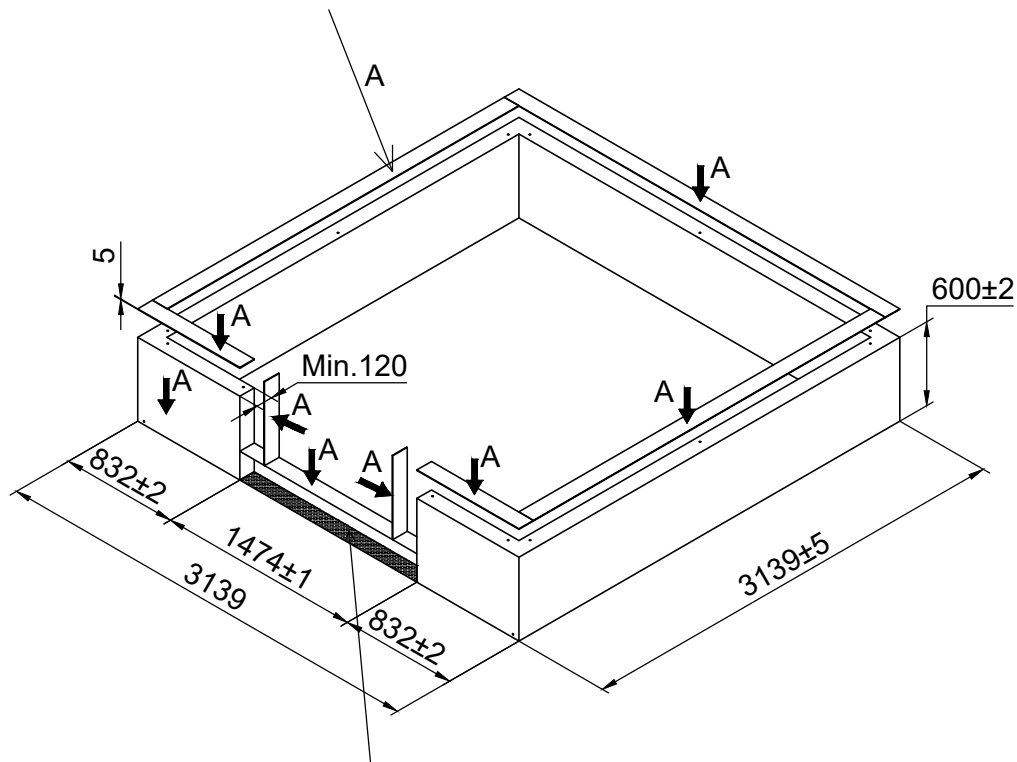
Sealing should be done to prevent frost from destroying the wall. The sealant between the wall and foundation of the greenroom is provided and handled by customers themselves.

Tätning bör göras för att muren ej skall frostsprängas. Tätning mellan mur och sockel står kunden själv för.

Tætningen bør gøres for at forhindre frostsprængninger i muren. Tætningen mellem mur og aluminiumprofil står kunden selv for

En tetning bør lages for å hindre frostsprengning av muren. Tetning mellom mur og sokkel ordnes av kunden selv

Tiivistys täytyy tehdä, jotta muuri ei hajoa pakkasella. Tiiviste muurin ja sokkelin välissä täytyy asiakkaan hoitaa itse



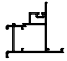
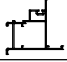
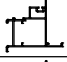
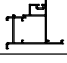

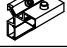
Make sure the floor below the doors frame should be flat and solid.

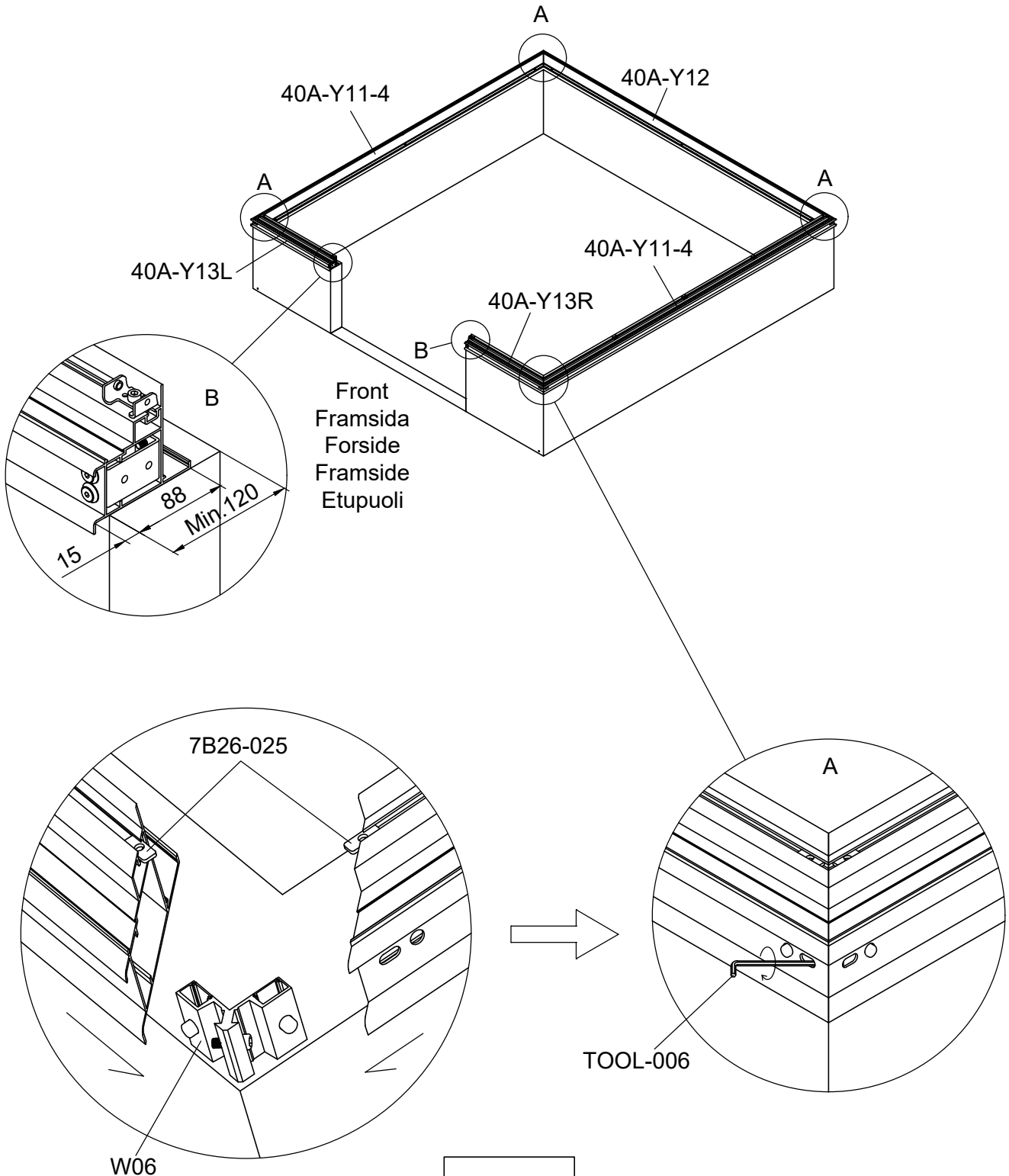
Se till att underlaget under dörrramen är plan och på solid grund.

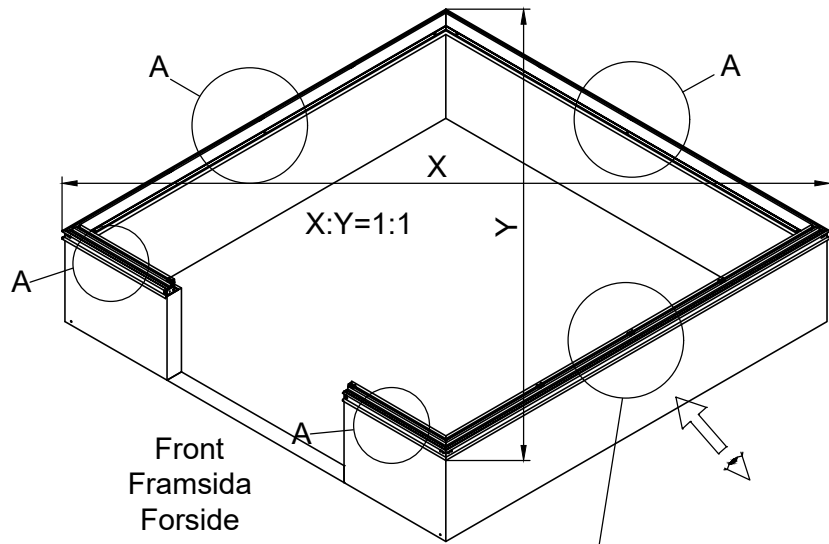
Sørg for, at underlaget under dørkarmen er plan og på fast grund.

Sørg for at underlaget under dørterskelen er slett og på solid fundament.

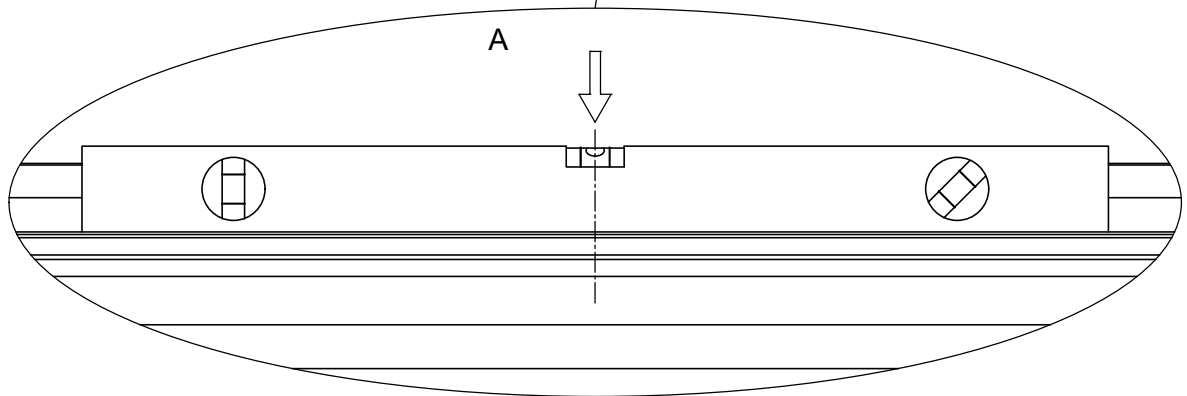
Tarkista, että maa ovikarmin alla on sileä ja tasainen.


| Part | NO. | QTY. | Length(MM) | CTN NO. |
|---|-----------|------|------------|---------------|
|  | 40A-Y11-4 | 2 | 3173 | 3033P-S-BASE4 |
|  | 40A-Y12 | 1 | 3173 | 3033P-S-4F |
|  | 40A-Y13R | 1 | 854 | 3043PA-S-4 |
|  | 40A-Y13L | 1 | 854 | 3043PA-S-4 |
|  | 7B26-025 | 8 | PCS | |
|  | W06 | 4 | 46 | |

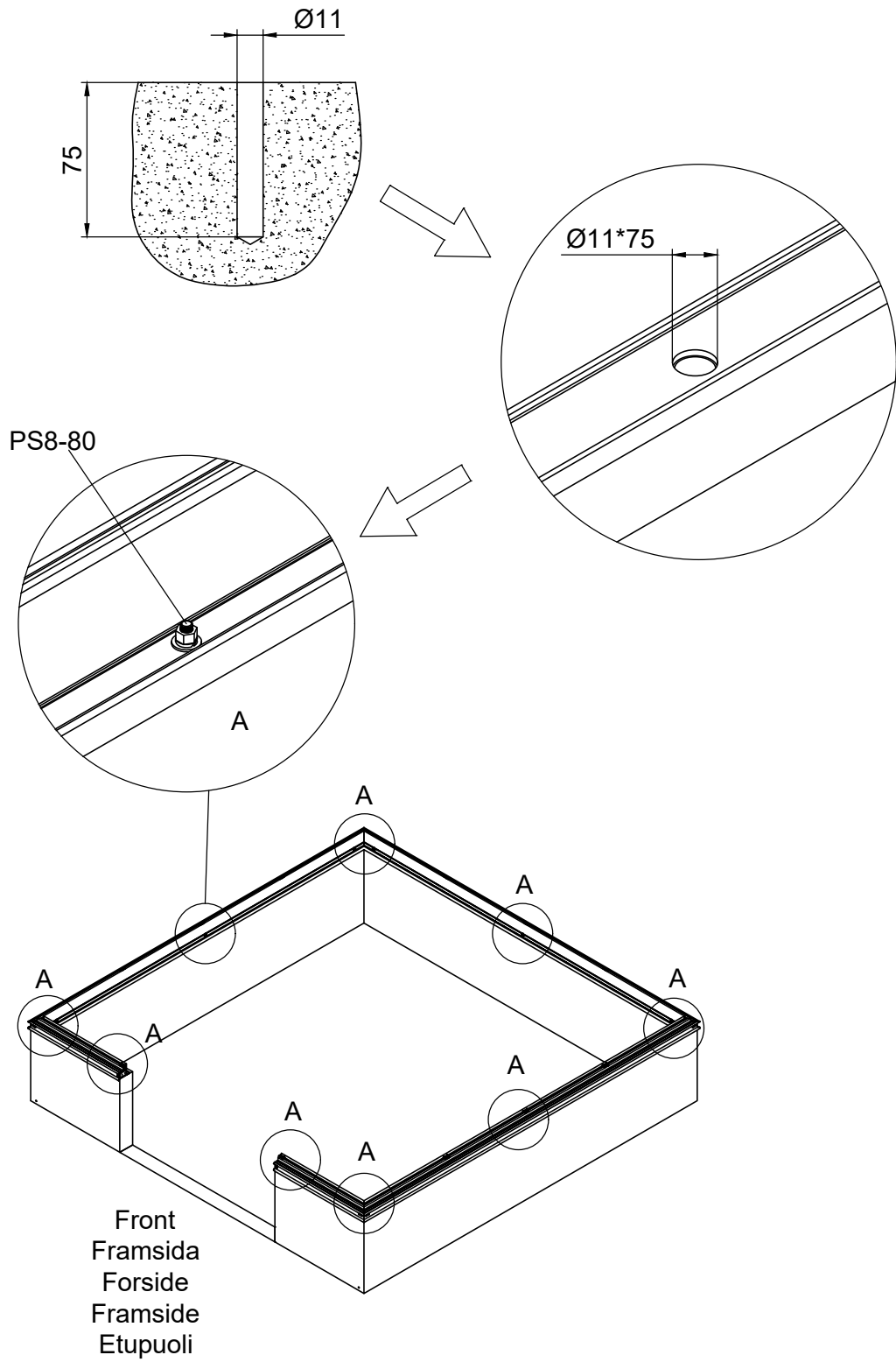


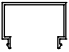
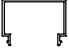
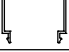
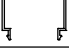



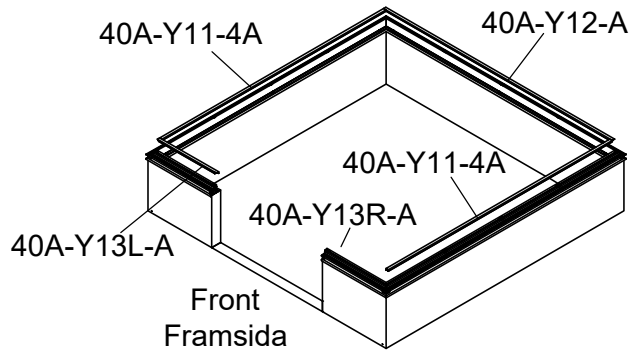
Front
 Framsida
 Forside
 Framside
 Etupuoli



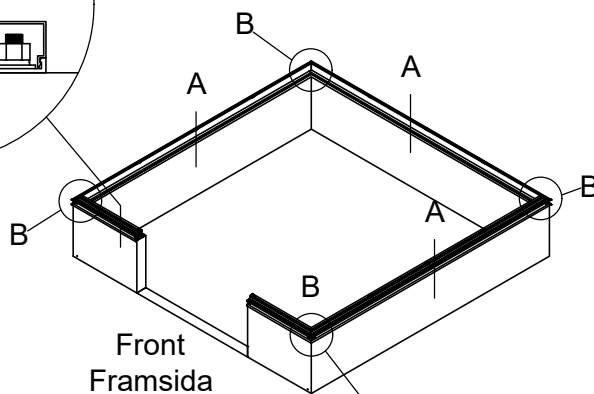
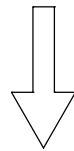
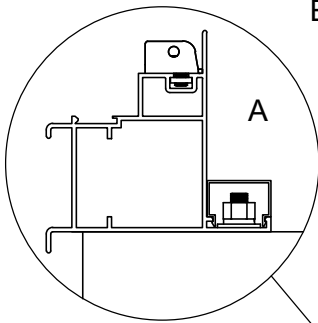
| Part | NO. | QTY. | Length(MM) |
|---|--------|------|------------|
|  | PS8-80 | 13 | PCS |



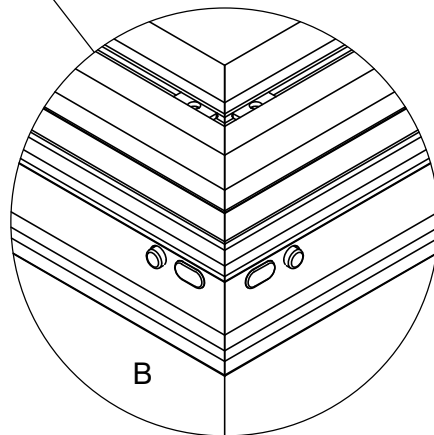
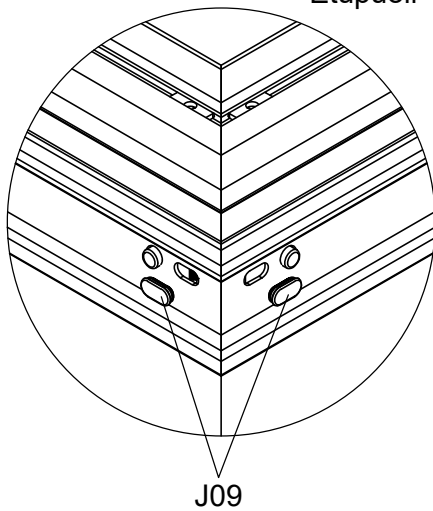
| Part | NO. | QTY. | Length(MM) | CTN NO. |
|---|------------|------|------------|---------------|
|  | 40A-Y11-4A | 2 | 2963 | 3033P-S-BASE4 |
|  | 40A-Y12-A | 1 | 3023 | 3033P-S-4F |
|  | 40A-Y13R-A | 1 | 779 | 3043PA-S-4 |
|  | 40A-Y13L-A | 1 | 779 | 3043PA-S-4 |
|  | J09 | 8 | PCS | |


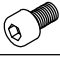



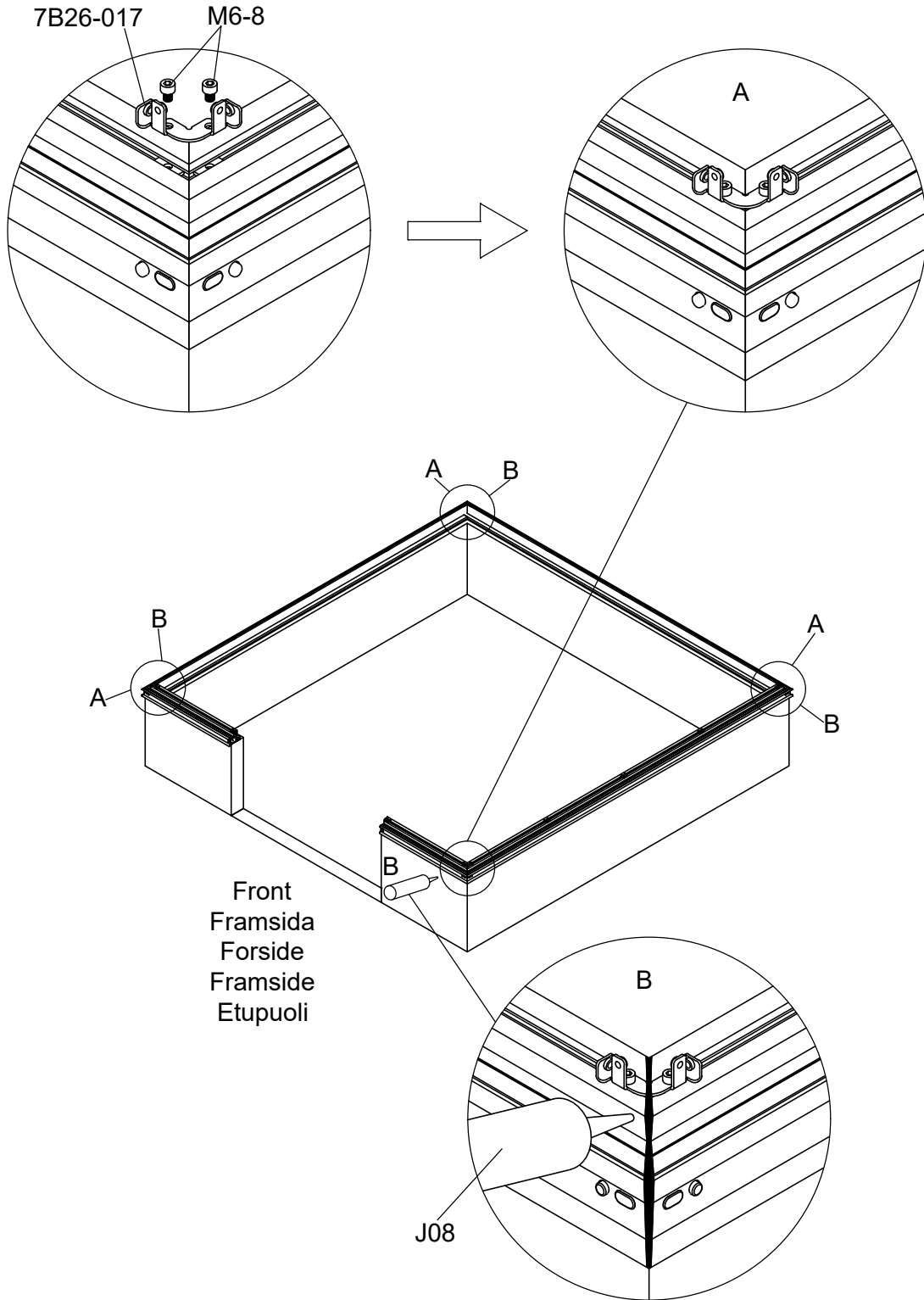
Front
Framsida
Forside
Framsida
Etupuoli






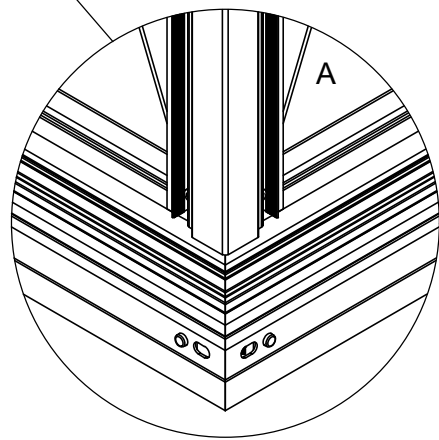
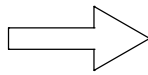
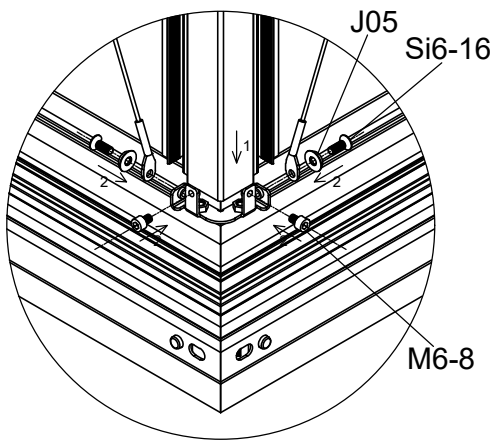
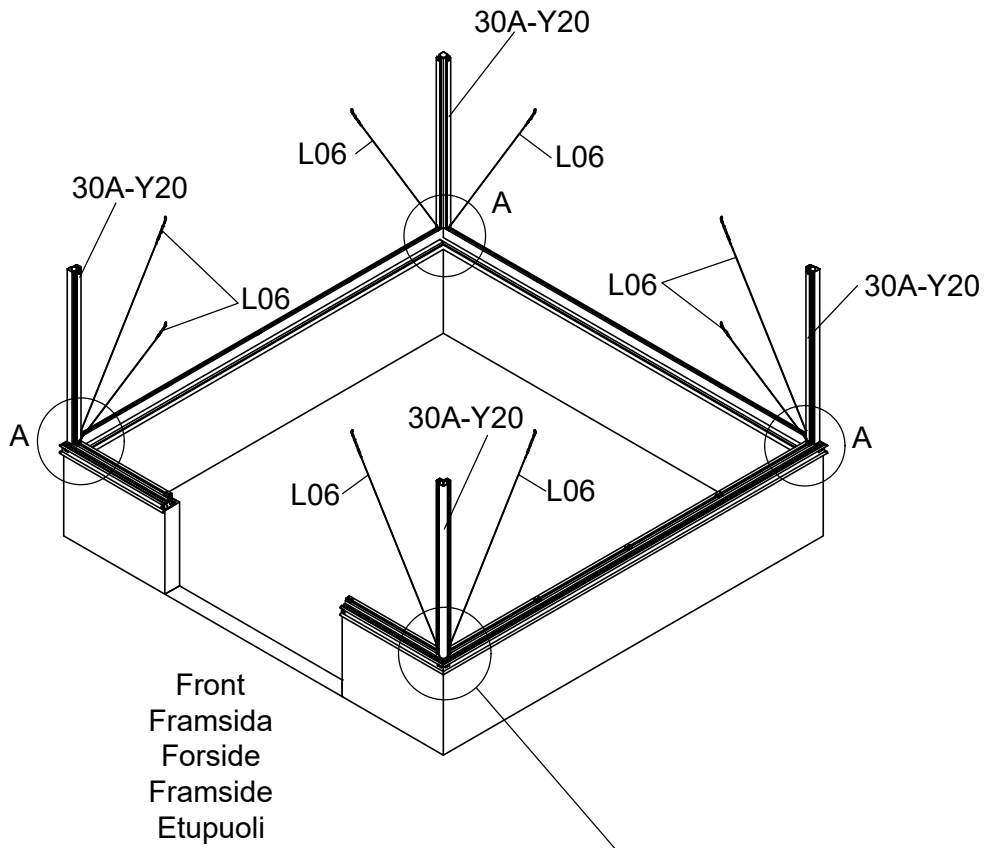
Front
Framsida
Forside
Framsida
Etupuoli




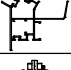
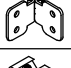
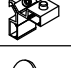
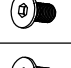

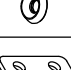



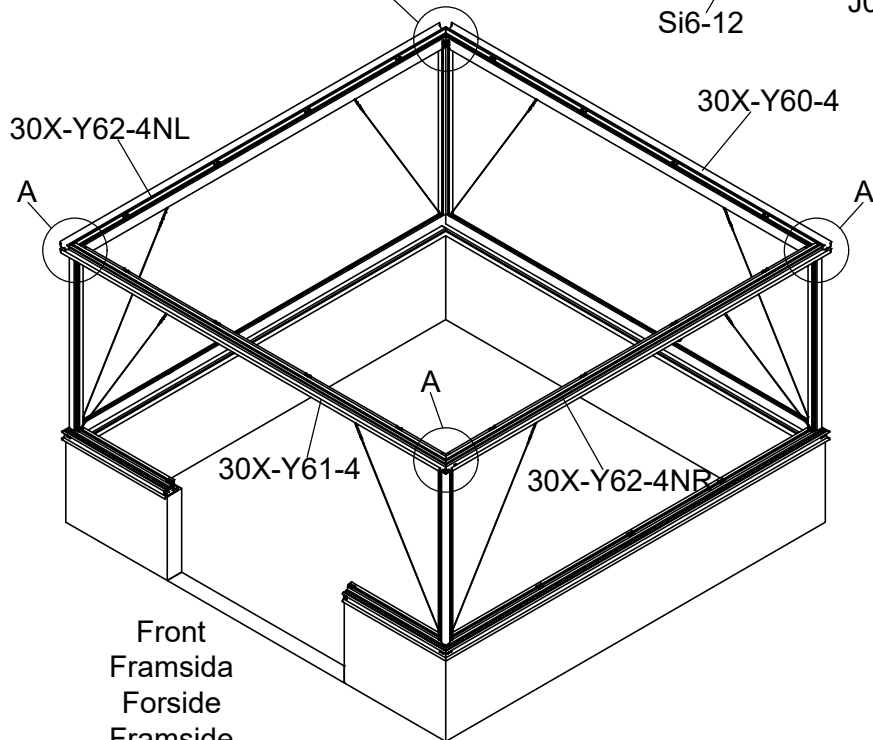
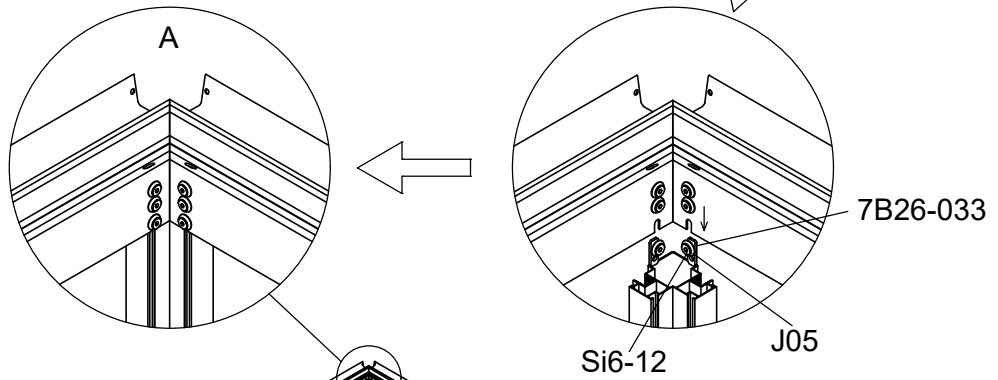
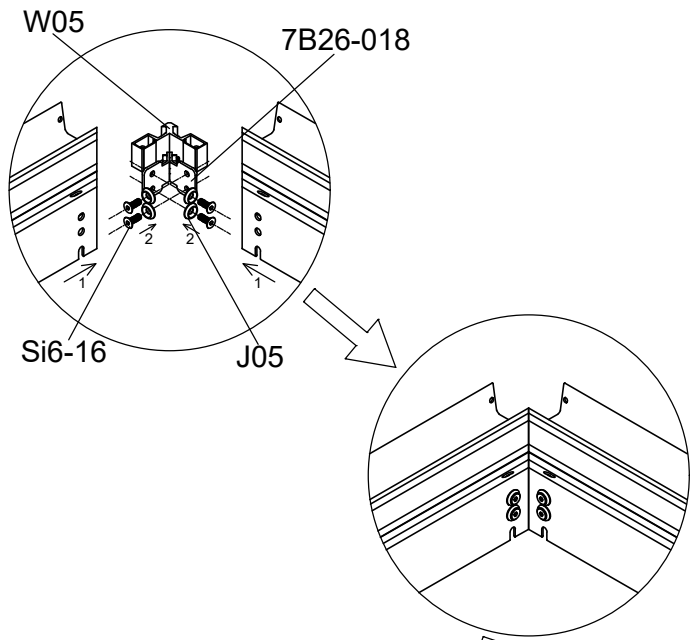
| Part | NO. | QTY. | Length(MM) |
|---|----------|------|------------|
|  | 7B26-017 | 4 | PCS |
|  | M6-8 | 8 | PCS |
|  | J08 | 1 | PCS |








| Part | NO. | QTY. | Length(MM) |
|---|---------|------|------------|
|  | 30A-Y20 | 4 | 1236 |
|  | L06 | 8 | 1400 |
|  | Si6-16 | 8 | PCS |
|  | J05 | 8 | PCS |
|  | M6-8 | 8 | PCS |



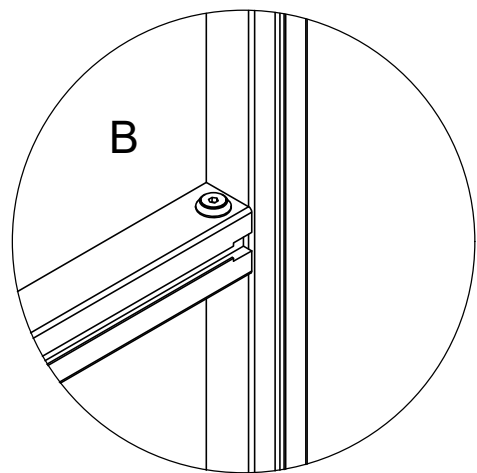
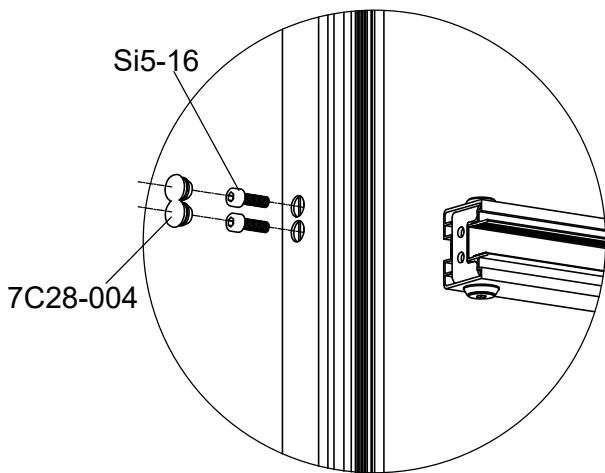
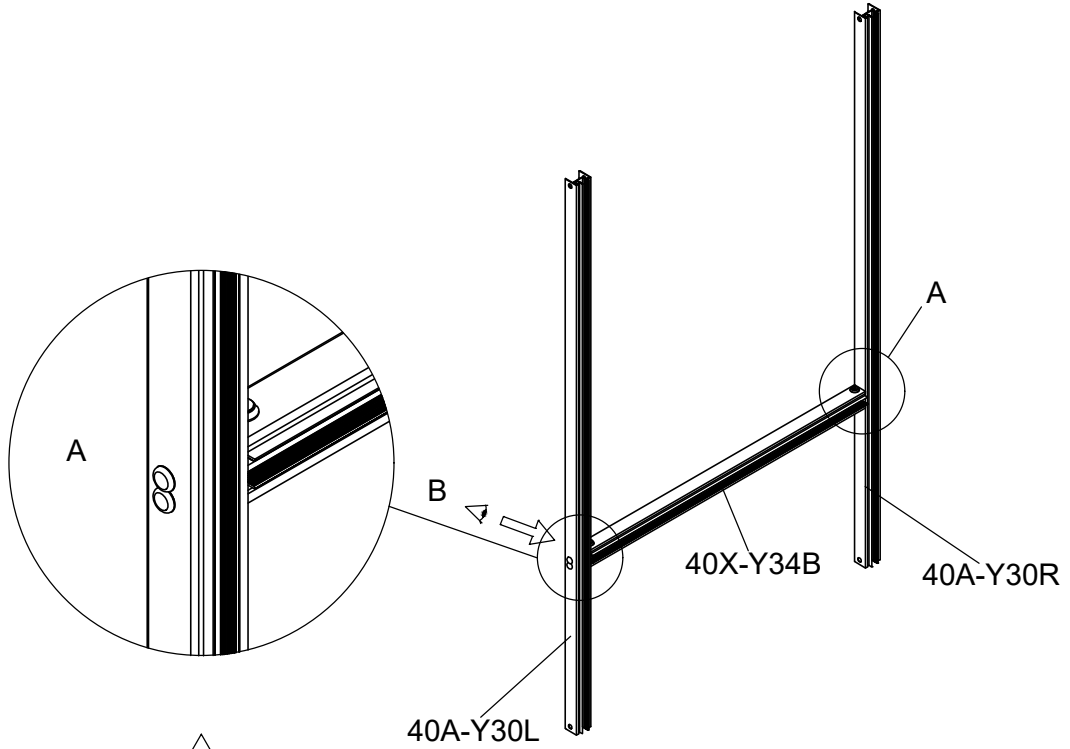
| Part | NO. | QTY. | Length(MM) |
|---|-------------|------|------------|
|  | 30X-Y61-4 | 1 | 3138 |
|  | 30X-Y60-4 | 1 | 3138 |
|  | 30X-Y62-4NR | 1 | 3138 |
|  | 30X-Y62-4NL | 1 | 3138 |
|  | 7B26-018 | 4 | PCS |
|  | W05 | 4 | 27 |
|  | Si6-16 | 16 | PCS |
|  | Si6-12 | 8 | PCS |
|  | J05 | 24 | PCS |
|  | 7B26-033 | 8 | PCS |






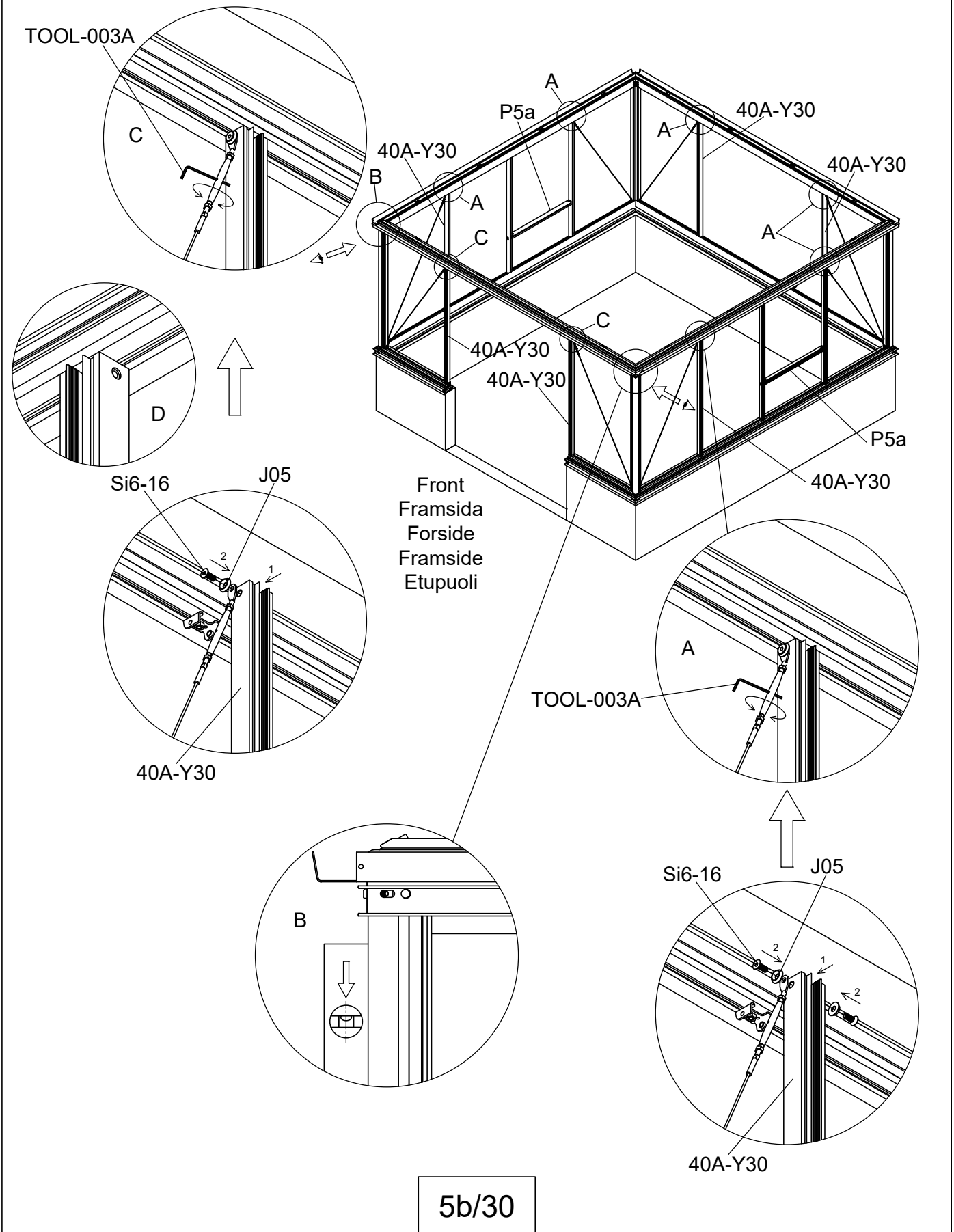
Front
Framsida
Forside
Framsida
Etuapuoli




| Part | NO. | QTY. | Length(MM) |
|---|----------|------|------------|
|  | 40A-Y30R | 2 | 1235 |
|  | 40A-Y30L | 2 | 1235 |
|  | 40X-Y34B | 2 | 713 |
|  | Si5-16 | 8 | PCS |
|  | 7C28-004 | 8 | PCS |

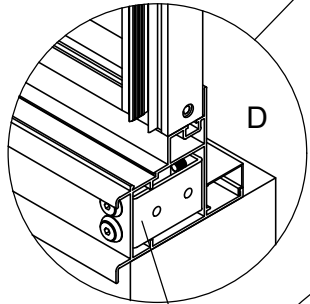
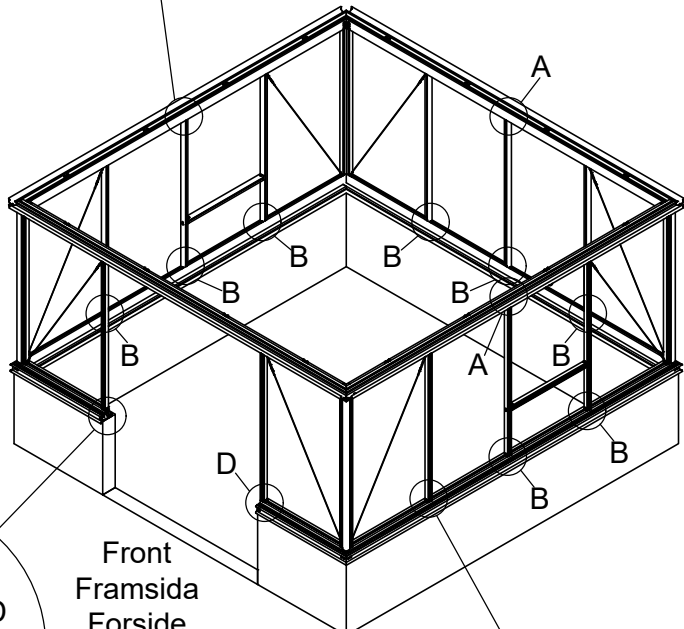
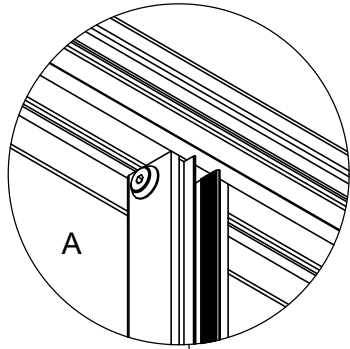
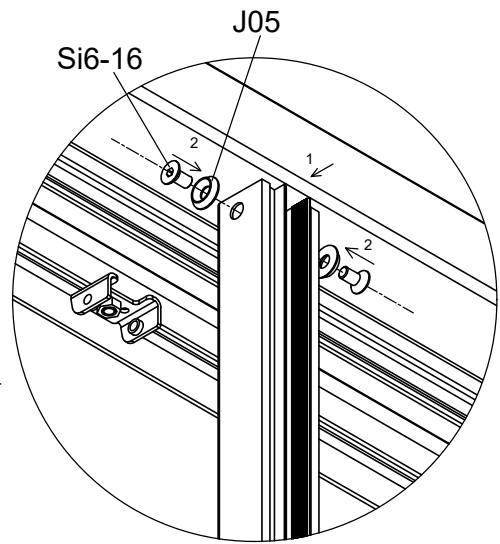
2 PCS



| Part | NO. | QTY. | Length(MM) |
|---|---------|------|------------|
|  | 40A-Y30 | 6 | 1235 |
|  | Si6-16 | 14 | PCS |
|  | J05 | 14 | PCS |

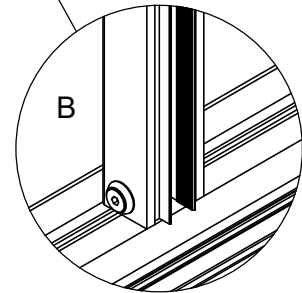
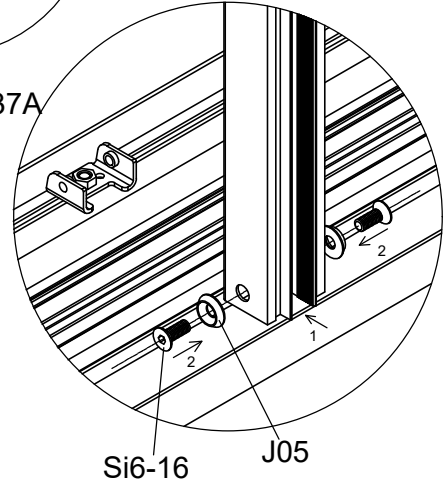




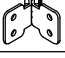


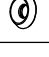

| Part | NO. | QTY. | Length(MM) |
|---|---------|------|------------|
|  | 40A-Y30 | 1 | 1235 |
|  | Si6-16 | 26 | PCS |
|  | J05 | 26 | PCS |

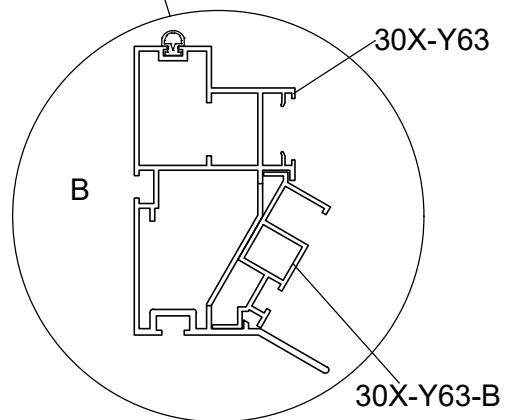
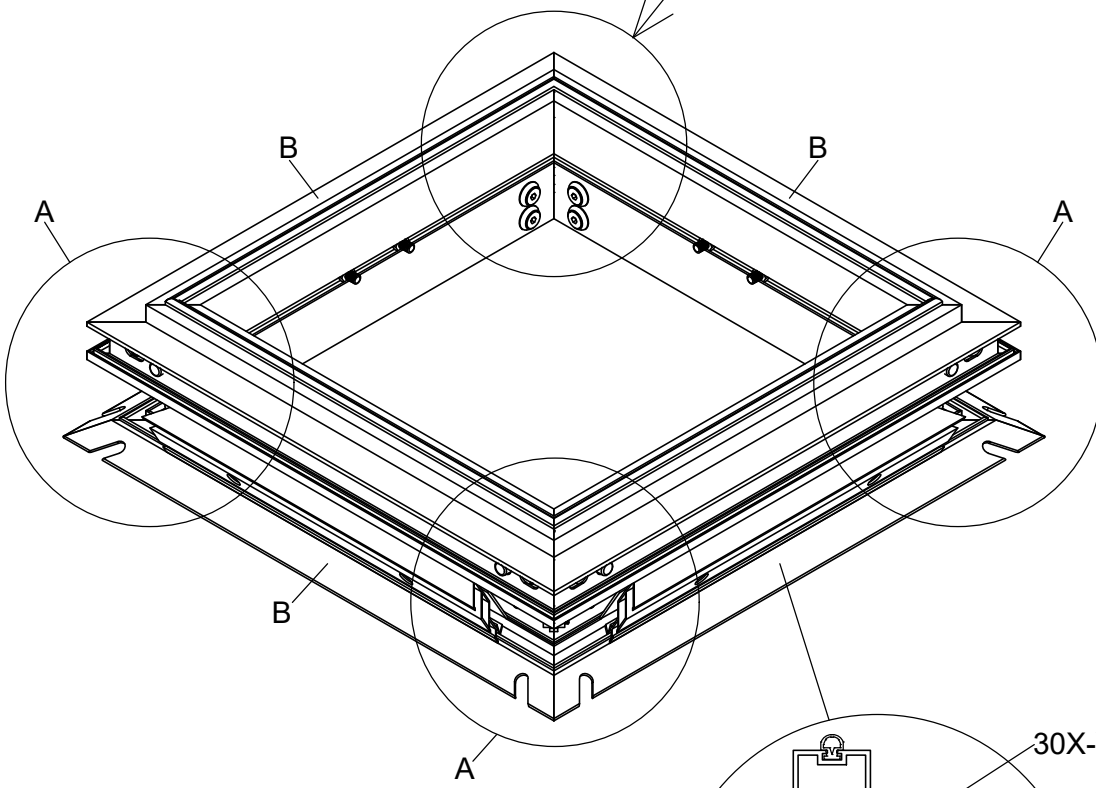
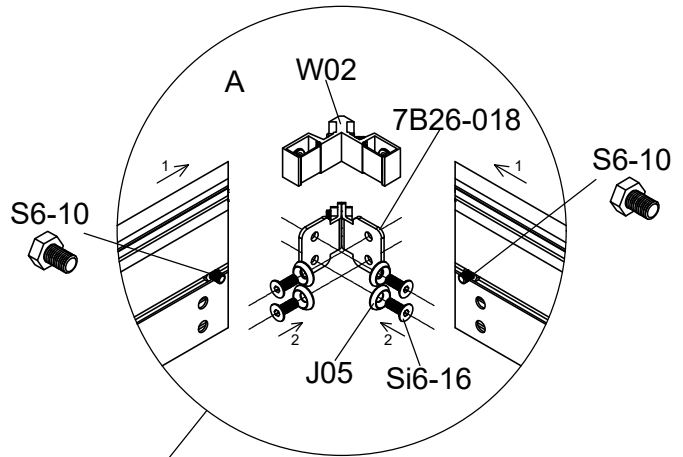











Front
Fransida
Forside
Franside
Etupuoli

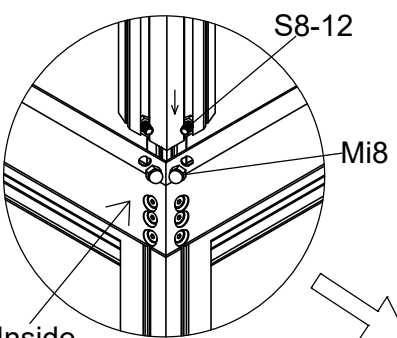
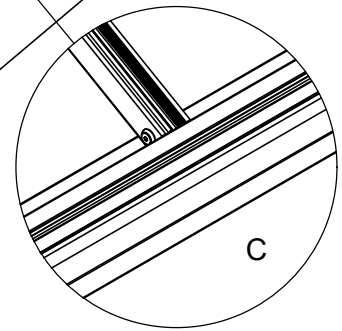
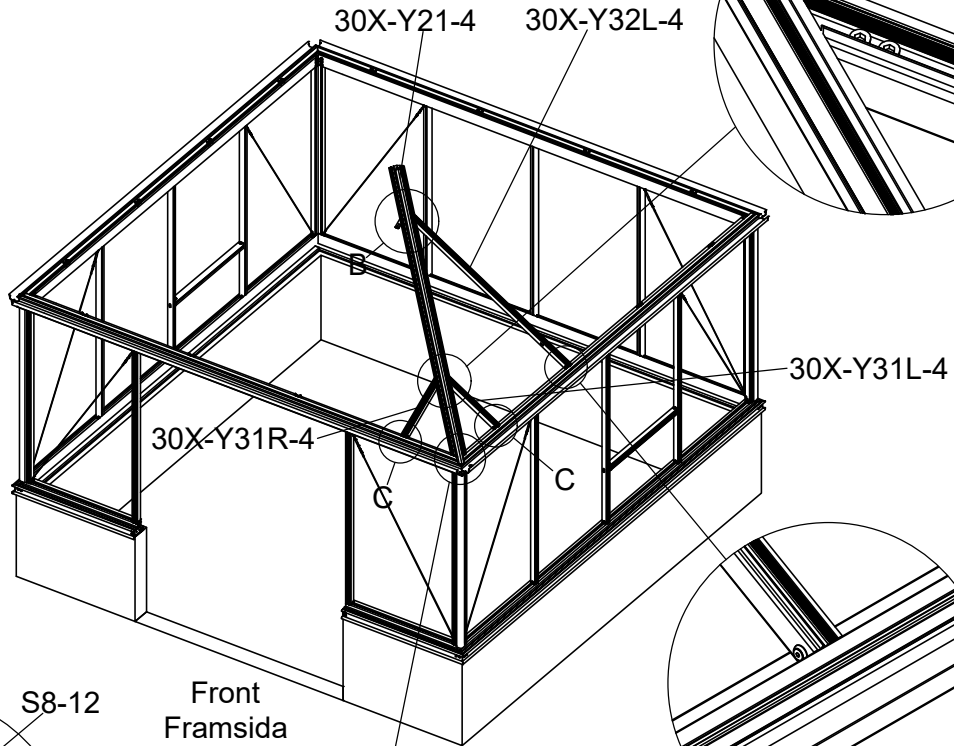
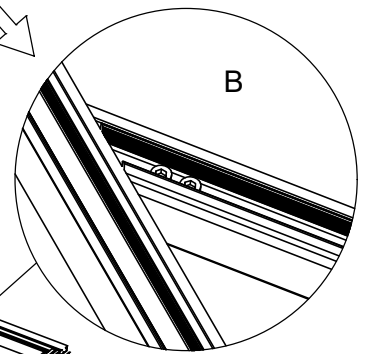
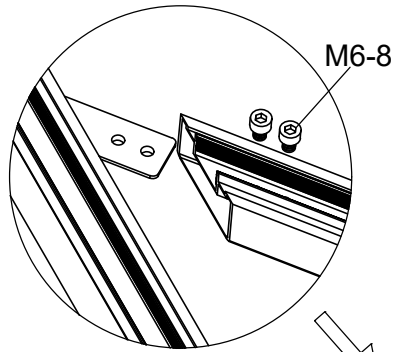
7B26-037A



| Part | NO. | QTY. | Length(MM) |
|---|-----------|------|------------|
|  | 30X-Y63 | 4 | 432 |
|  | 30X-Y63-B | 4 | 290 |
|  | 7B26-018 | 4 | PCS |
|  | W02 | 4 | 22 |
|  | Si6-16 | 16 | PCS |
|  | J05 | 16 | PCS |
|  | S6-10 | 8 | PCS |

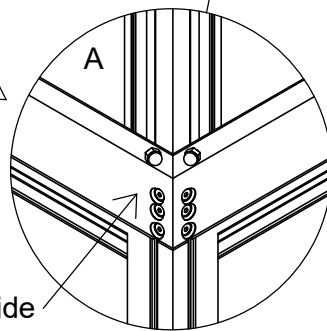


| Part | NO. | QTY. | Length(MM) |
|---|------------|------|------------|
|  | 30X-Y21-4 | 1 | 2128 |
|  | 30X-Y32L-4 | 1 | 1278 |
|  | 30X-Y31R-4 | 1 | 411 |
|  | 30X-Y31L-4 | 1 | 411 |
|  | M6-8 | 6 | PCS |
|  | Si6-16 | 6 | PCS |
|  | J05 | 6 | PCS |
|  | Mi8 | 2 | PCS |
|  | S8-12 | 2 | PCS |

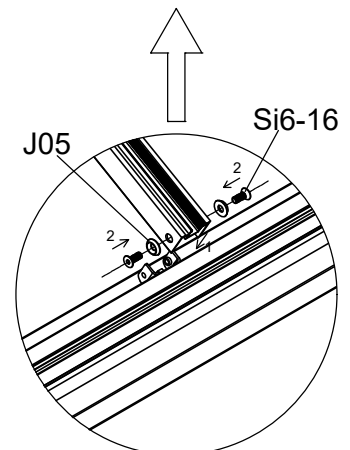




Front
Framsida
Forside
Framsida
Etupuoli

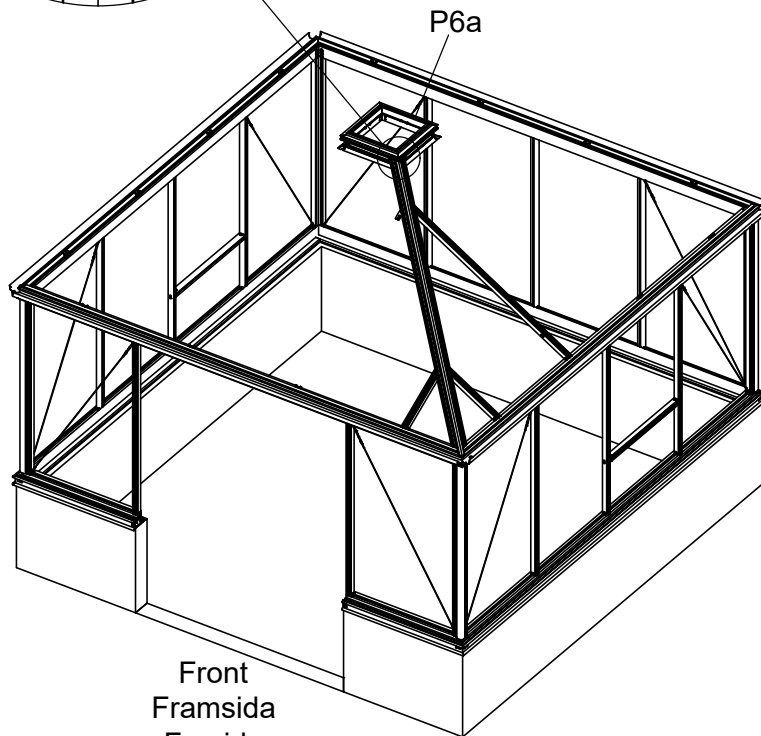
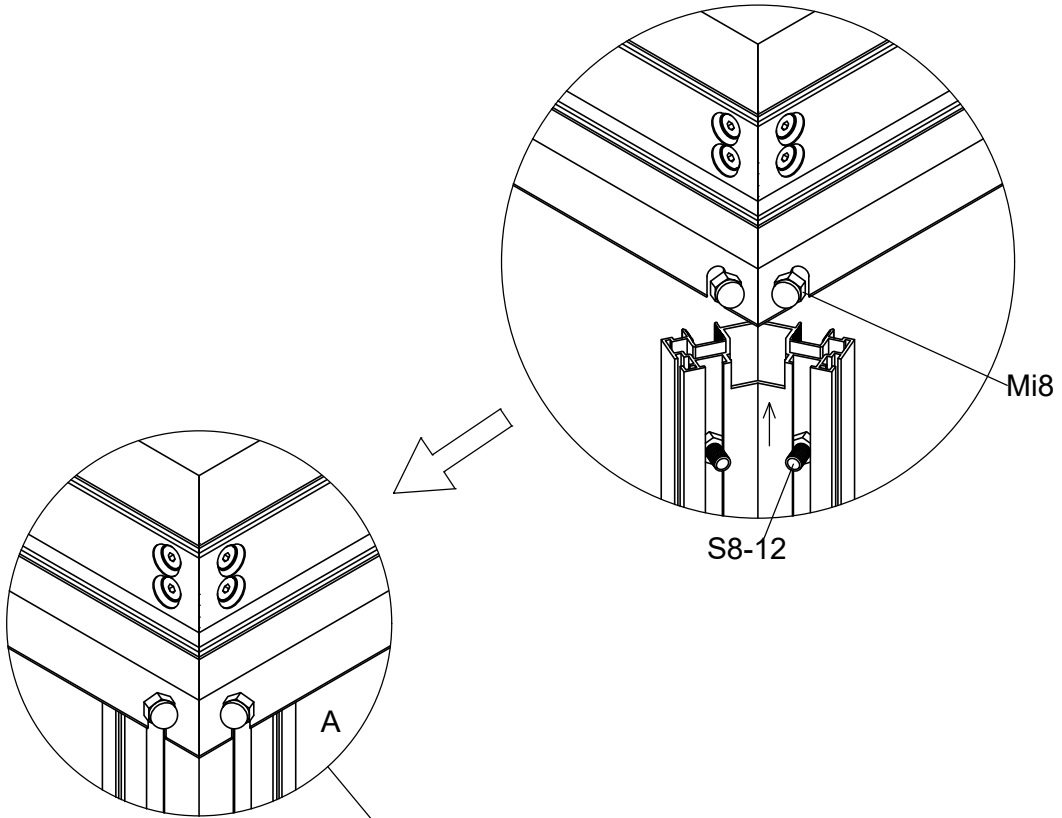
Inside
Insida
Inderside
Innside
Sisäpuoli






Inside
Insida
Inderside
Innside
Sisäpuoli

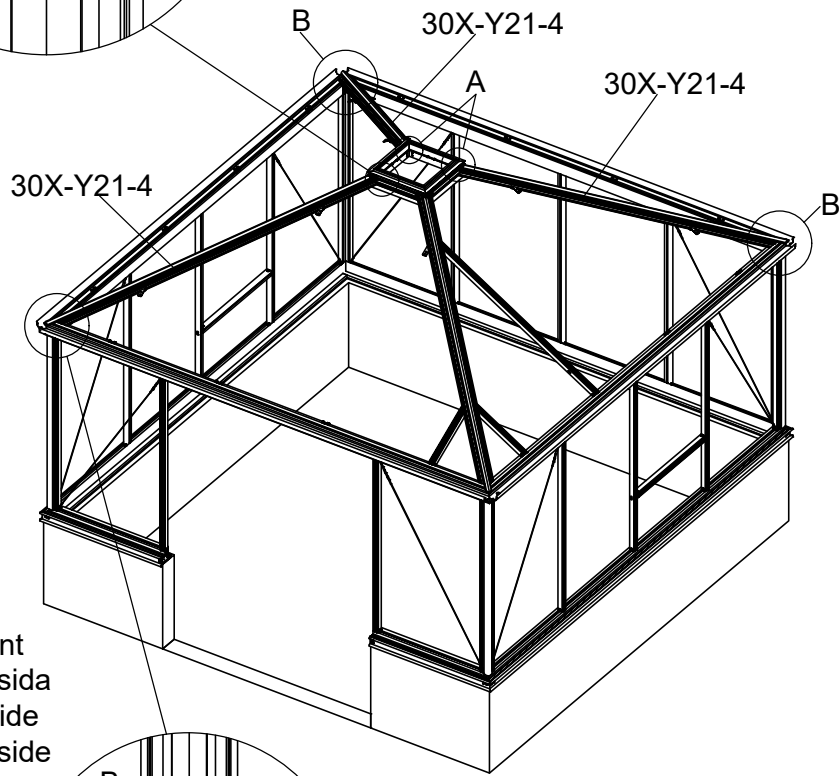
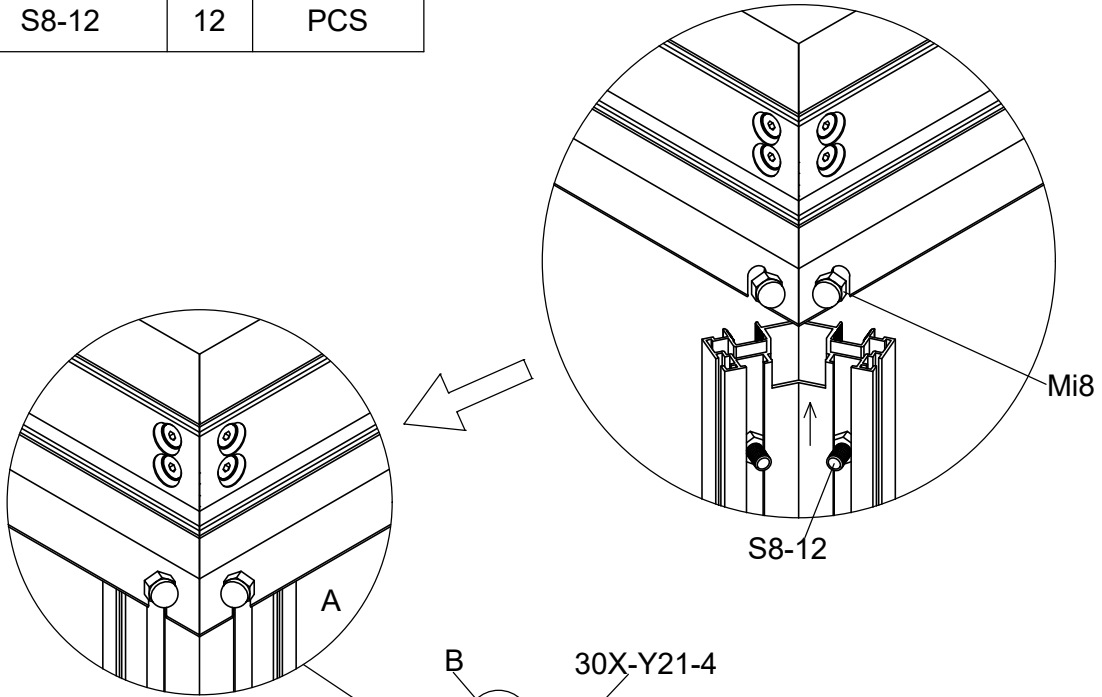


| Part | NO. | QTY. | Length(MM) |
|---|-------|------|------------|
|  | Mi8 | 2 | PCS |
|  | S8-12 | 2 | PCS |

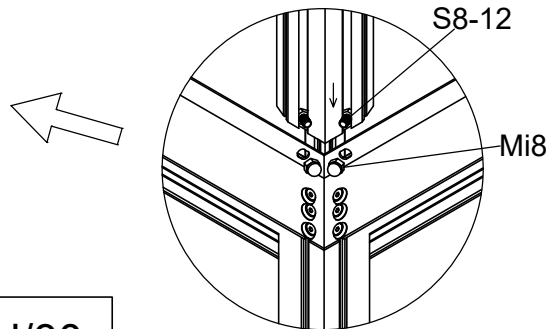
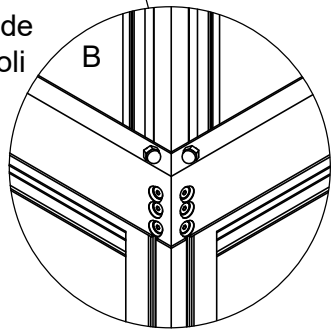







Front
 Framsida
 Forside
 Framside
 Etupuoli

| Part | NO. | QTY. | Length(MM) |
|---|-----------|------|------------|
|  | 30X-Y21-4 | 3 | 2128 |
|  | Mi8 | 12 | PCS |
|  | S8-12 | 12 | PCS |

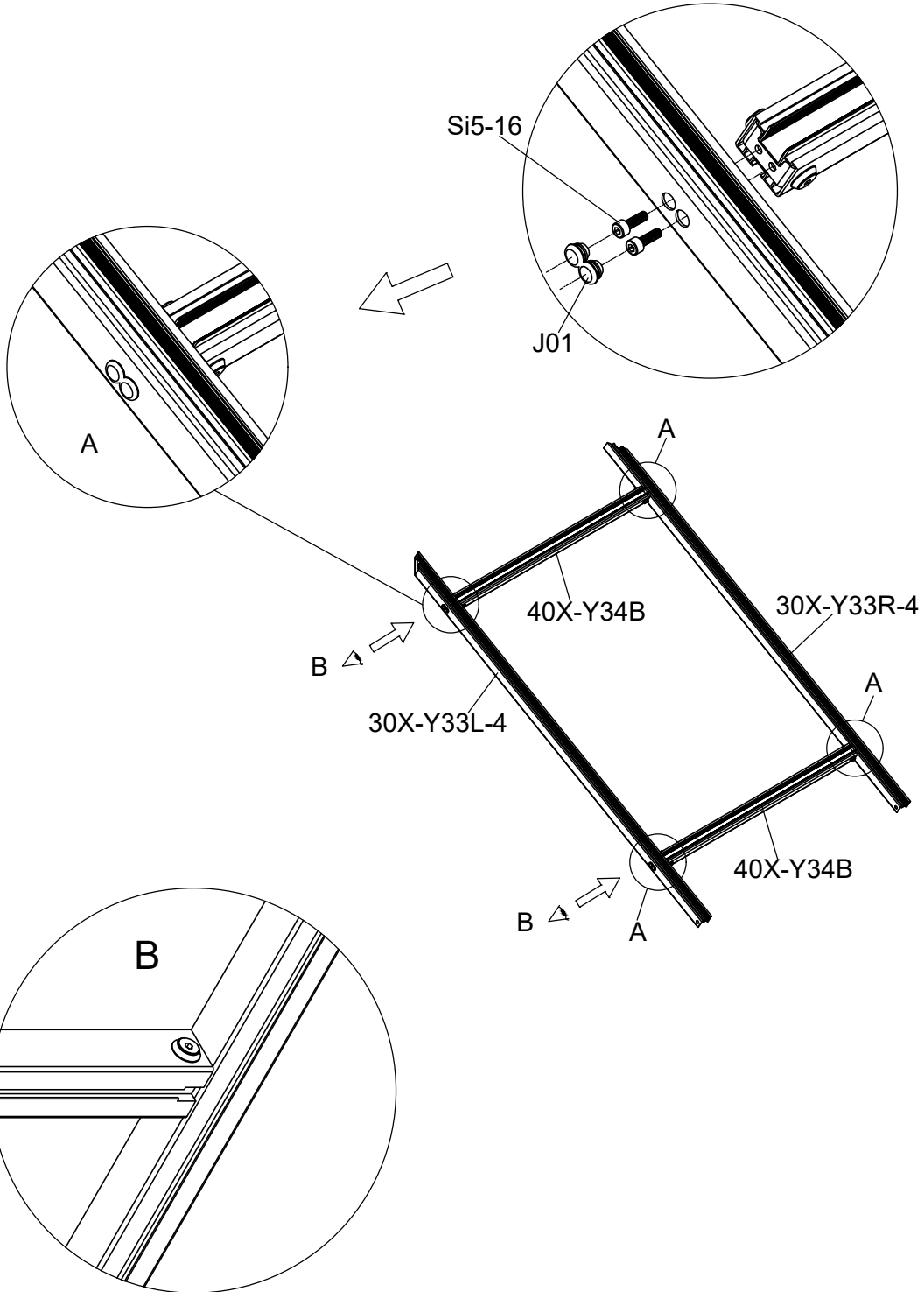




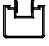




Front
Framsida
Forside
Framsido
Etupuoli

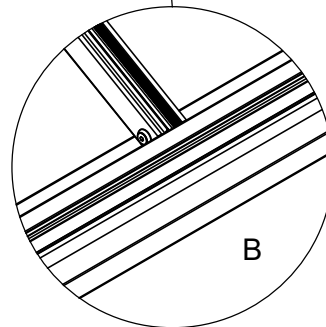
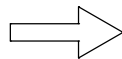
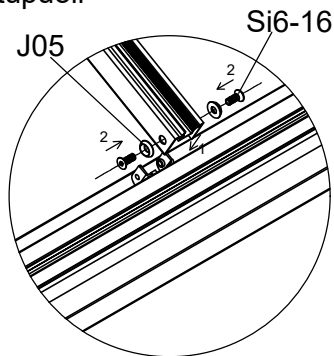
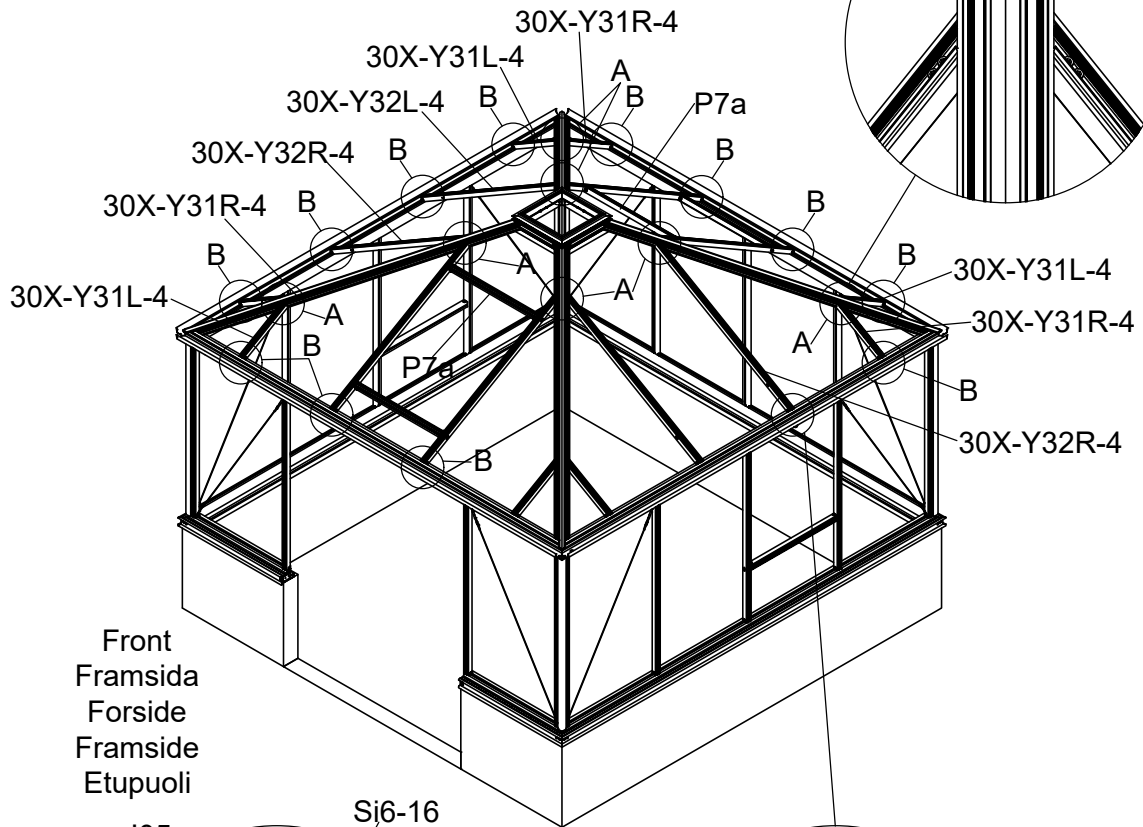
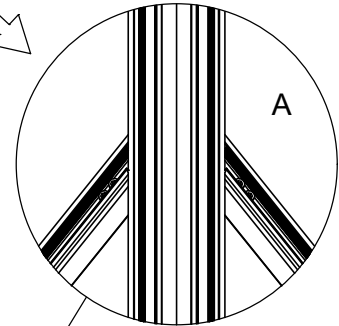
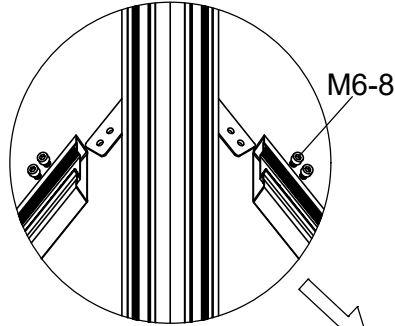




| Part | NO. | QTY. | Length(MM) |
|---|------------|------|------------|
|  | 30X-Y33R-4 | 2 | 1278 |
|  | 30X-Y33L-4 | 2 | 1278 |
|  | 40X-Y34B | 4 | 713 |
|  | Si5-16 | 16 | PCS |
|  | J01 | 16 | PCS |

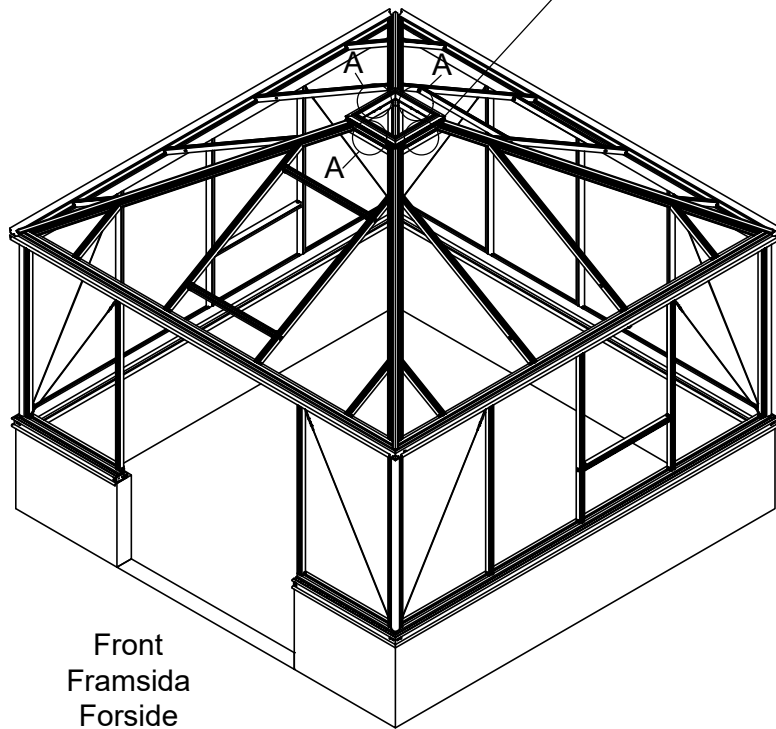
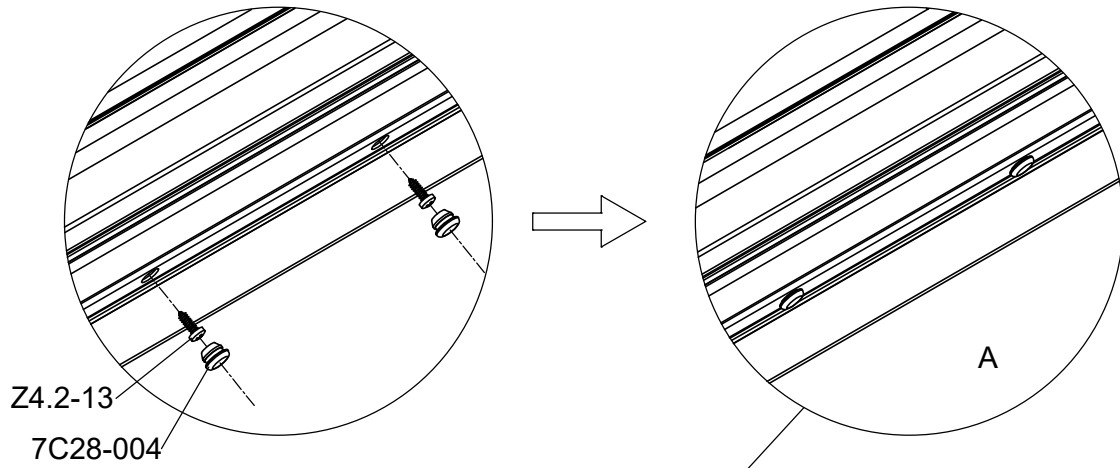
2 PCS




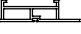






| Part | NO. | QTY. | Length(MM) |
|---|------------|------|------------|
|  | 30X-Y32R-4 | 2 | 1278 |
|  | 30X-Y32L-4 | 1 | 1278 |
|  | 30X-Y31R-4 | 3 | 411 |
|  | 30X-Y31L-4 | 3 | 411 |
|  | M6-8 | 26 | PCS |
|  | Si6-16 | 26 | PCS |
|  | J05 | 26 | PCS |

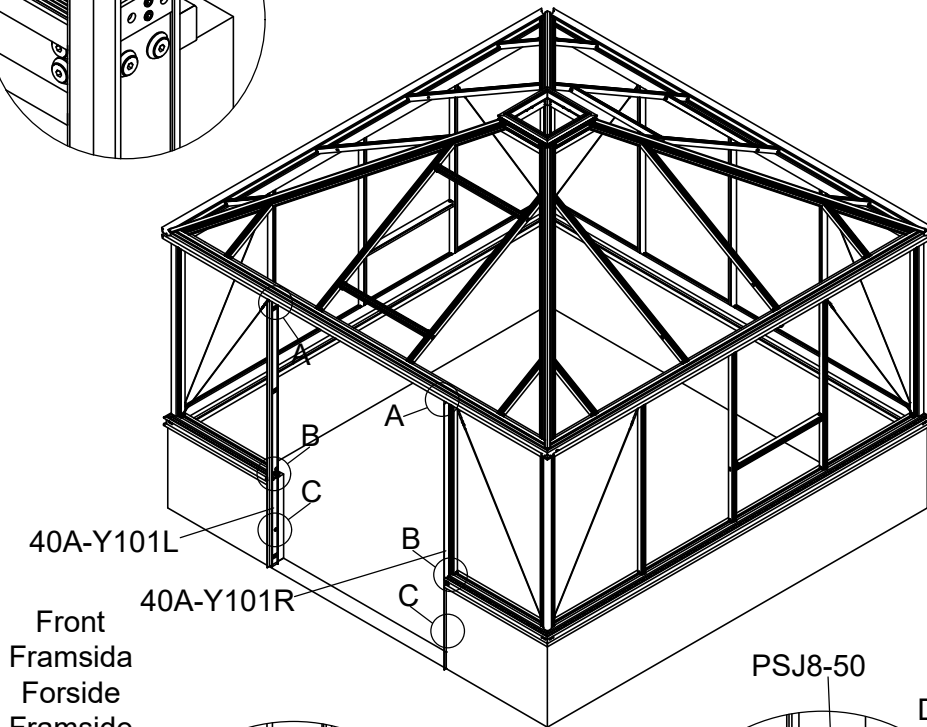
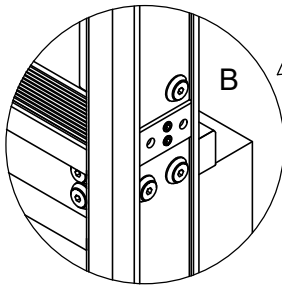
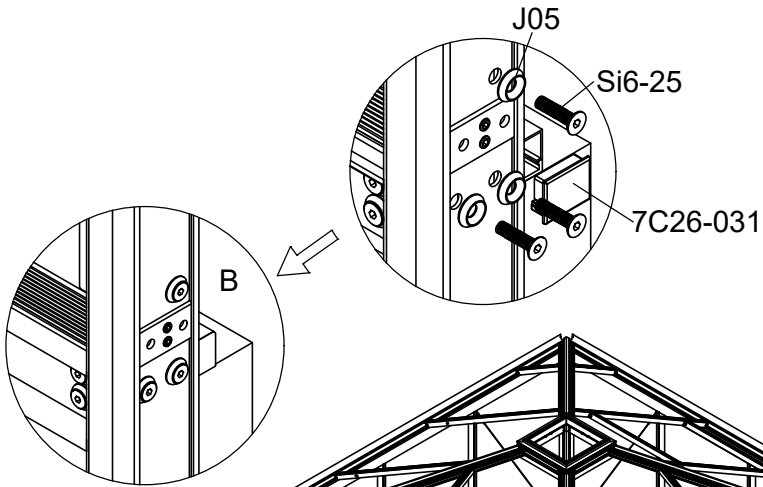
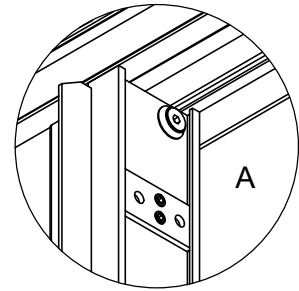
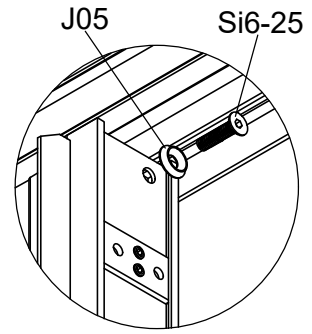


| Part | NO. | QTY. | Length(MM) |
|---|----------|------|------------|
|  | Z4.2-13 | 8 | PCS |
|  | 7C28-004 | 8 | PCS |

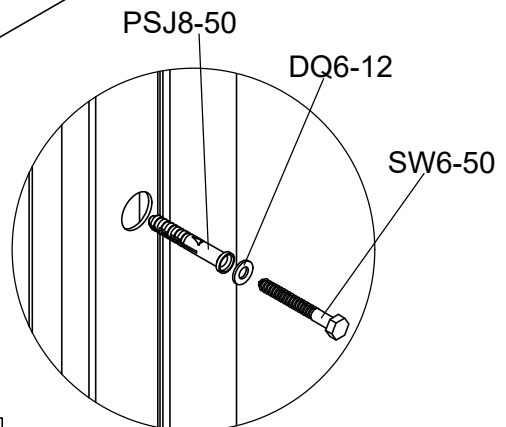
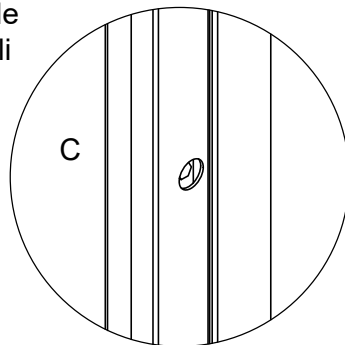


Front
Framsida
Forside
Framsida
Etupuoli

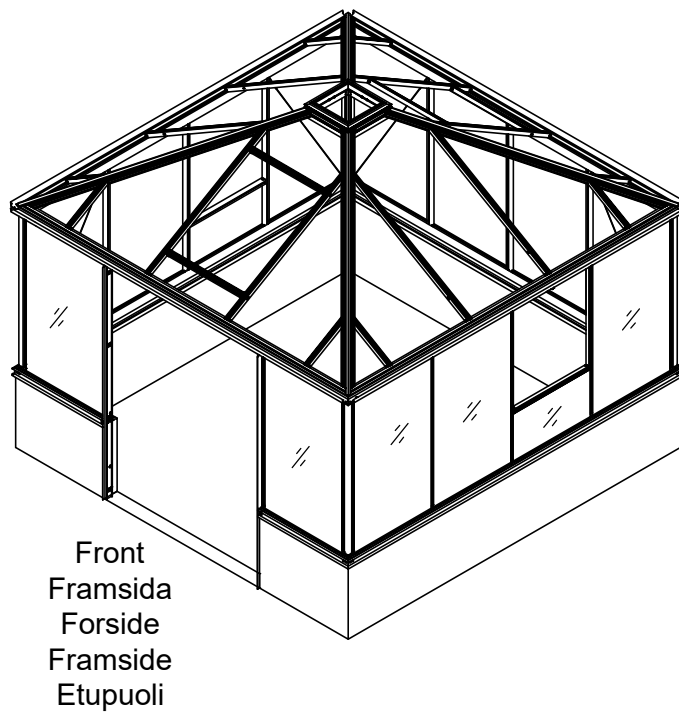
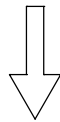
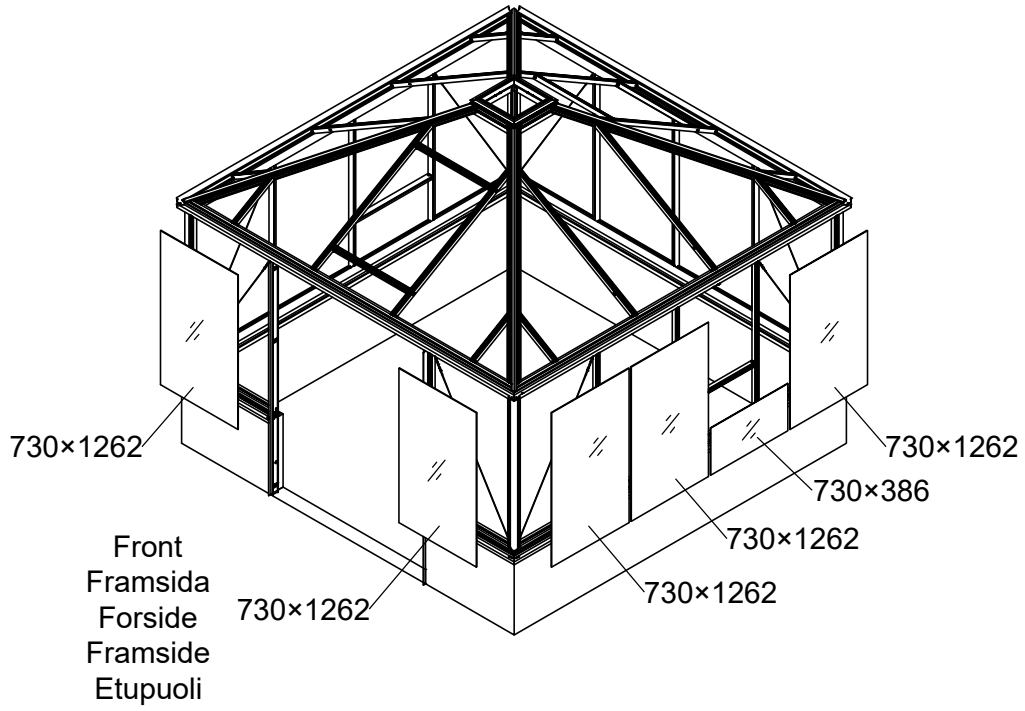
| Part | NO. | QTY. | Length(MM) | CTN NO. |
|---|-----------|------|------------|----------|
|  | 40A-Y101L | 1 | 1910 | 3040P-HD |
|  | 40A-Y101R | 1 | 1910 | 3040P-HD |
|  | 7C26-031 | 2 | PCS | 3040P-HD |
|  | Si6-25 | 8 | PCS | 3040P-HD |
|  | J05 | 8 | PCS | 3040P-HD |
|  | PSJ8-50 | 2 | PCS | 3040P-HD |
|  | DQ6-12 | 2 | PCS | 3040P-HD |
|  | SW6-50 | 2 | PCS | 3040P-HD |



Front
Framsida
Forside
Framsida
Etupuoli

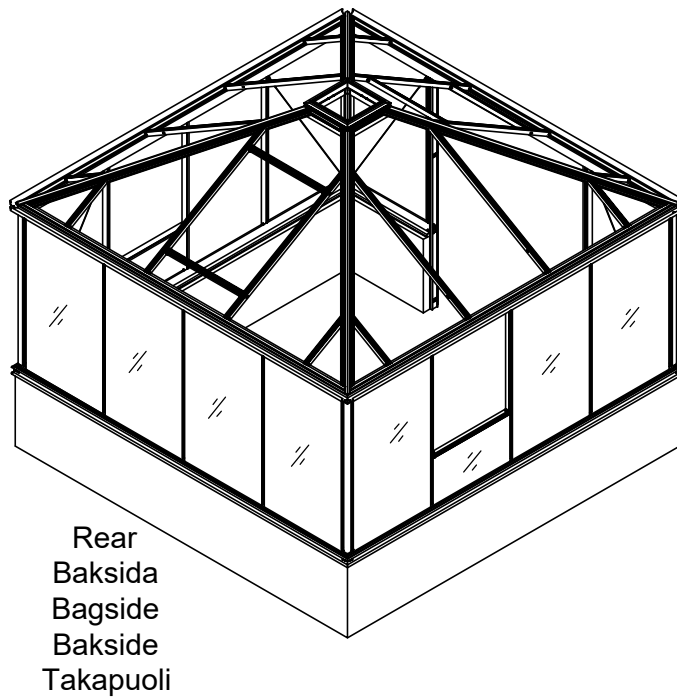
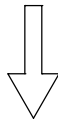
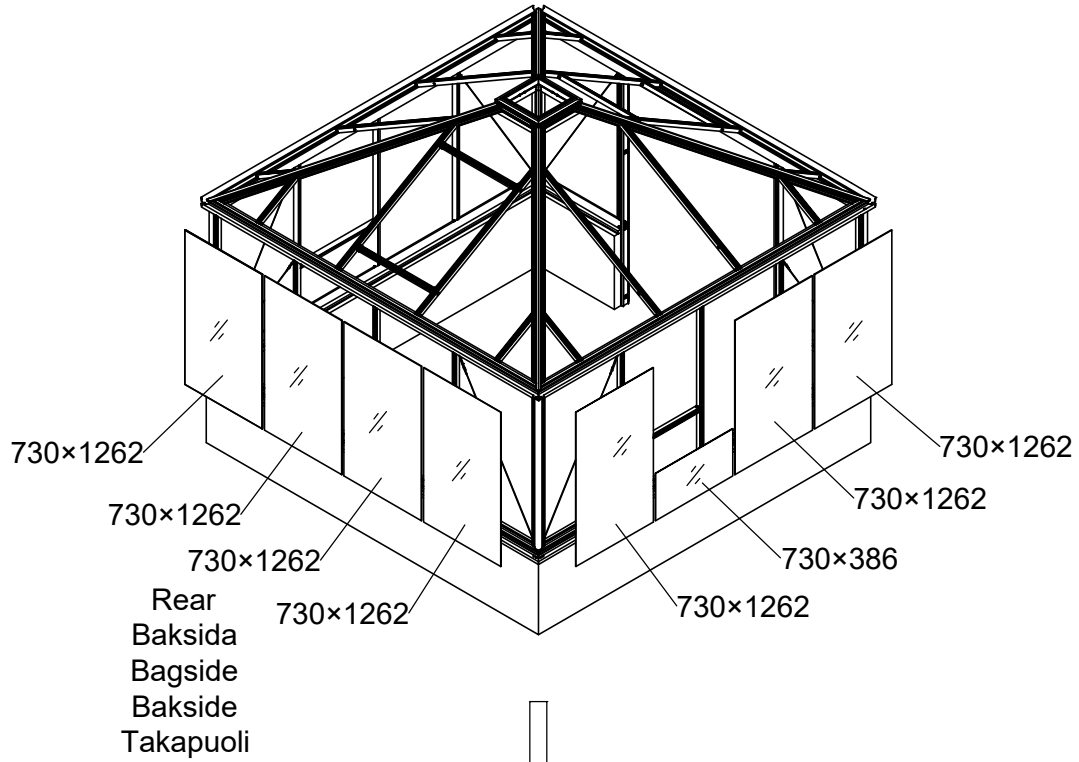






| Part | NO. | QTY. | Length(MM) |
|------|----------|------|------------|
| ☐ | 730×1262 | 5 | 1262 |
| ☐ | 730×386 | 1 | 730 |

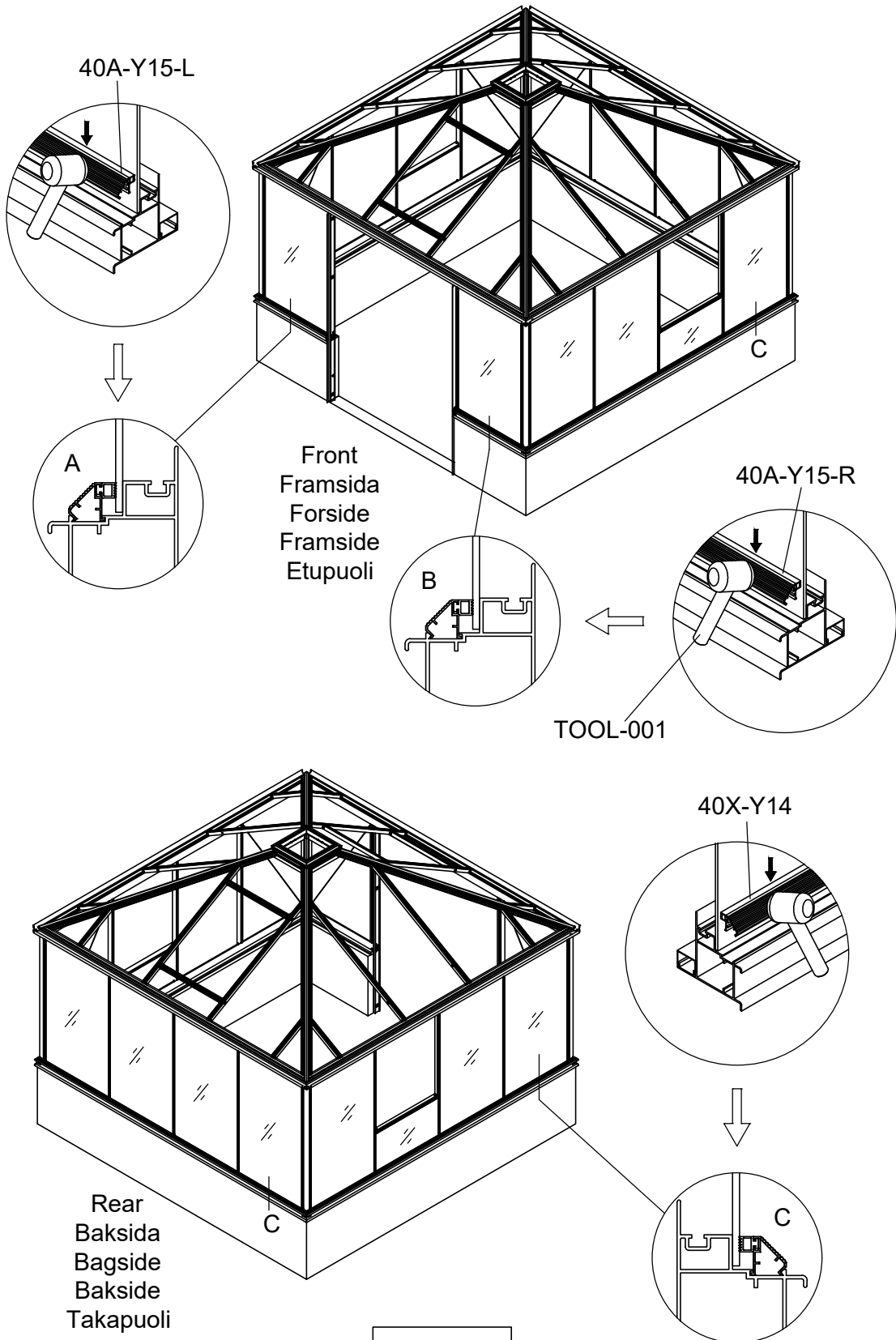


8b/30

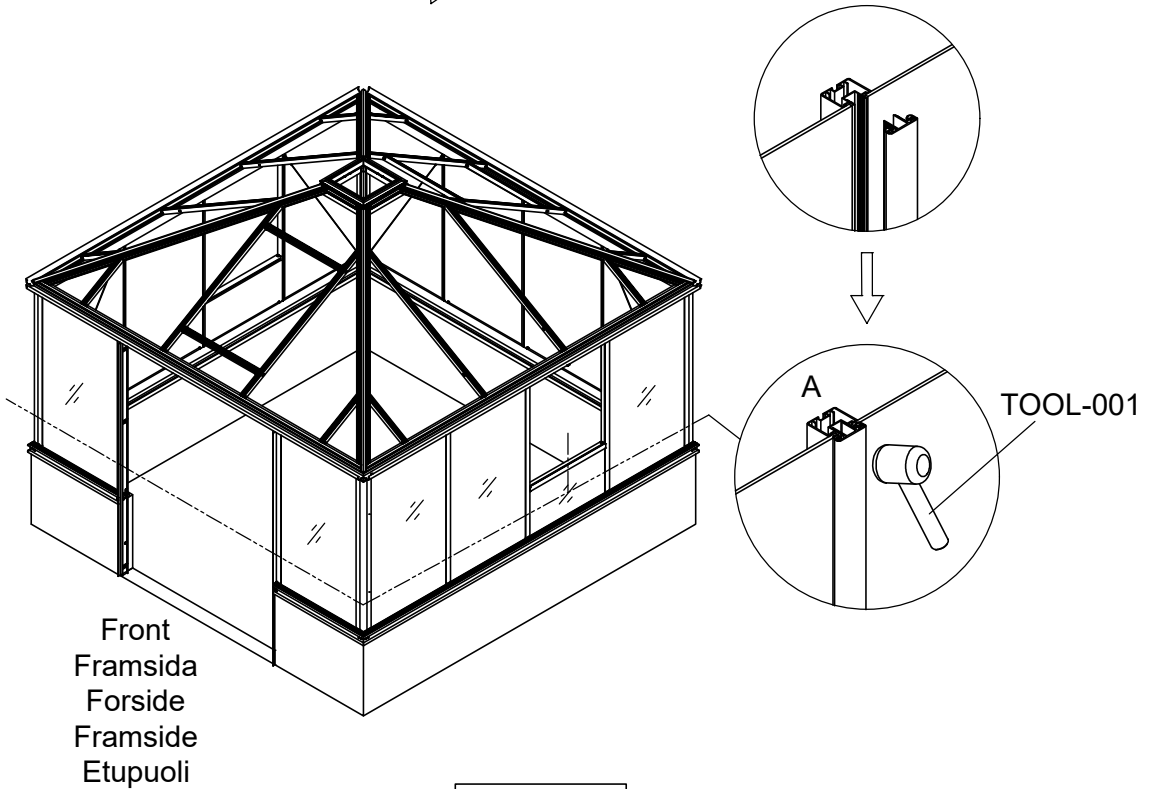
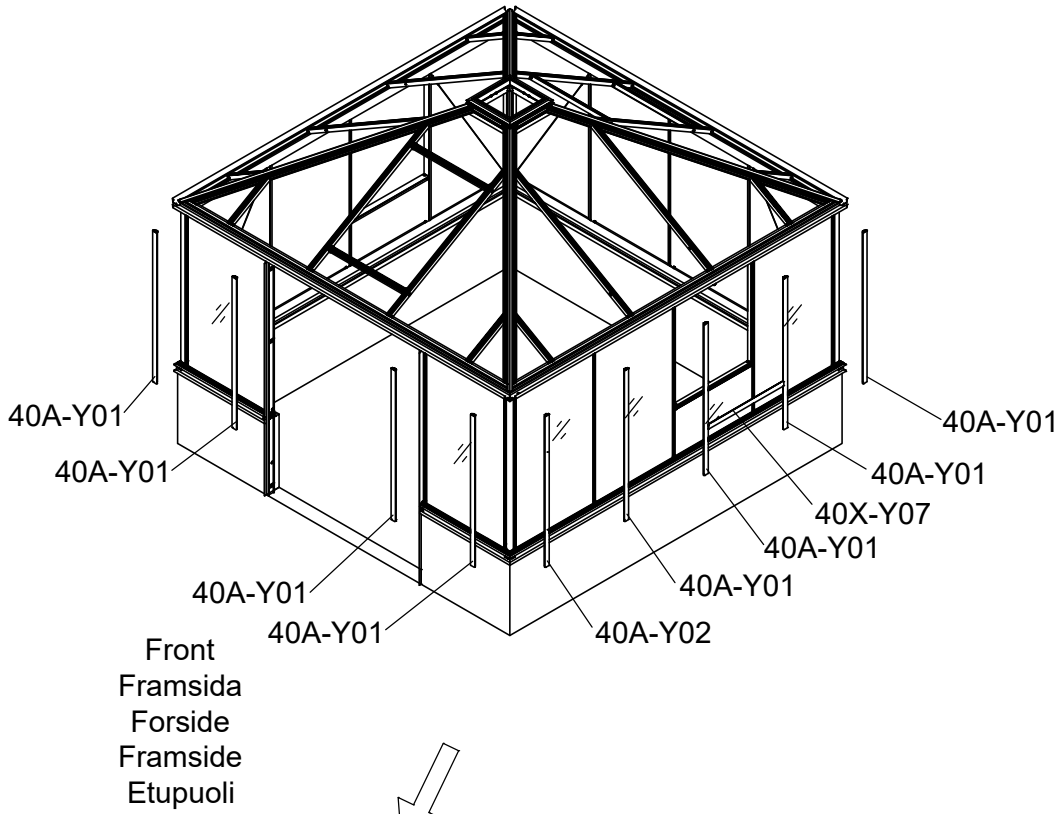
| Part | NO. | QTY. | Length(MM) |
|------|----------|------|------------|
| ☒ | 730×1262 | 7 | 1262 |
| ☒ | 730×386 | 1 | 730 |



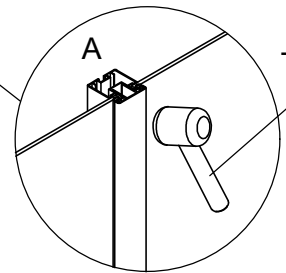
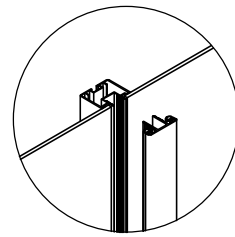
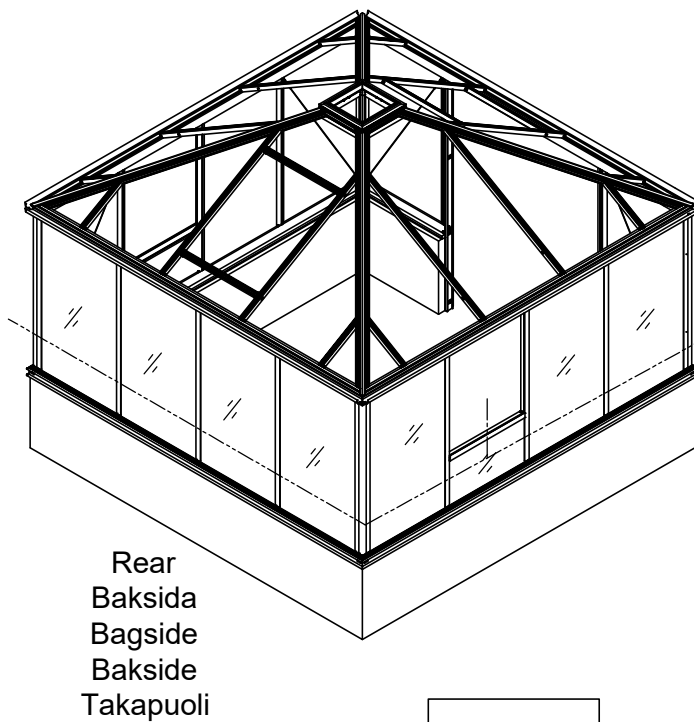
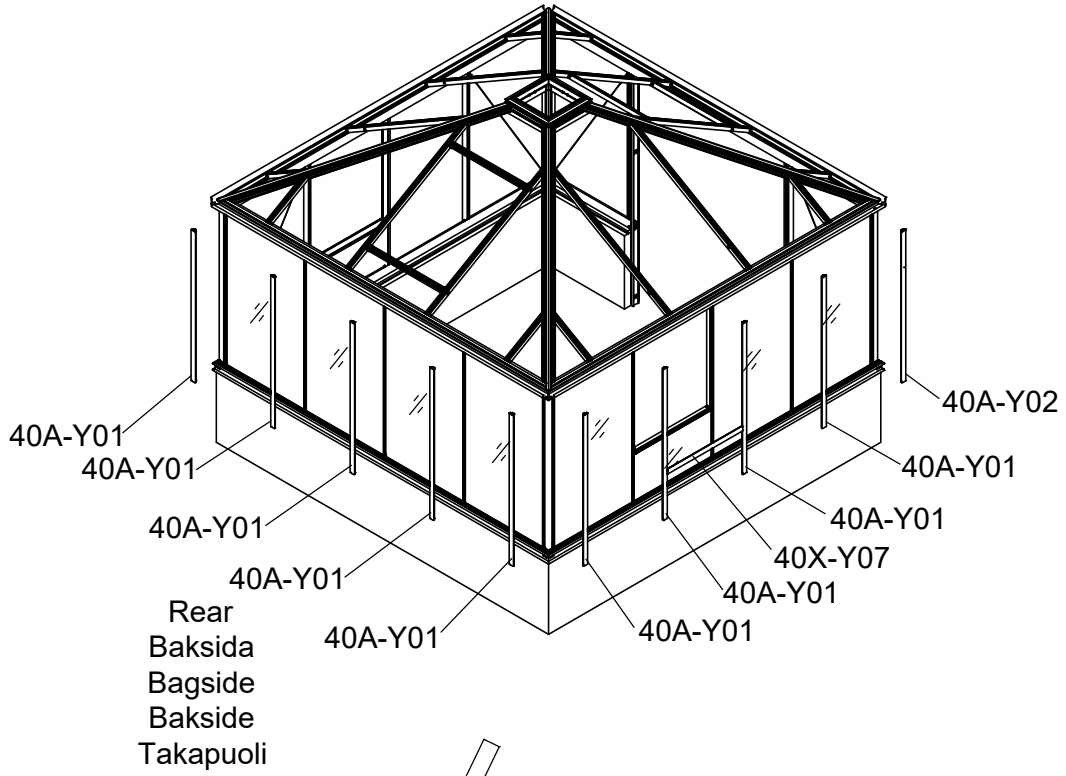
| Part | NO. | QTY. | Length(MM) | CTN NO. |
|---|-----------|------|------------|---------------|
|  | 40X-Y14 | 2 | 3149 | 3033P-S-BASE4 |
|  | 40X-Y14 | 1 | 3149 | 3033P-S-4F |
|  | 40A-Y15-R | 1 | 842 | 3043PA-S-4 |
|  | 40A-Y15-L | 1 | 842 | 3043PA-S-4 |




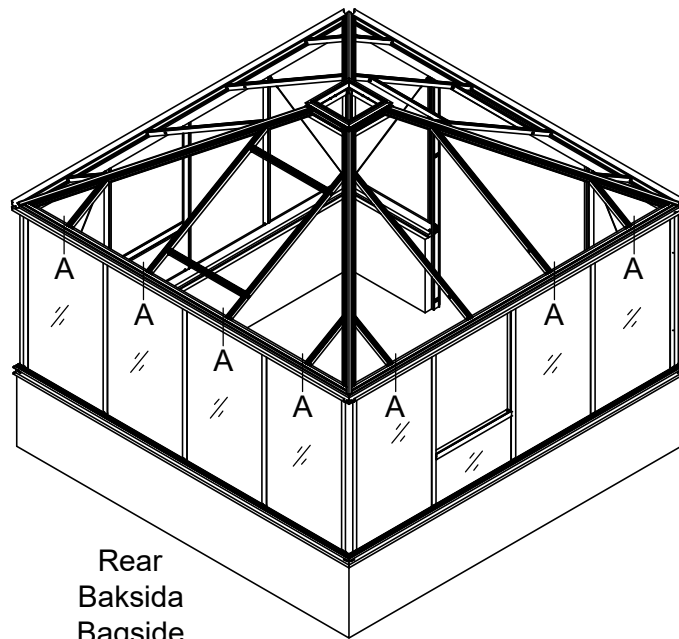
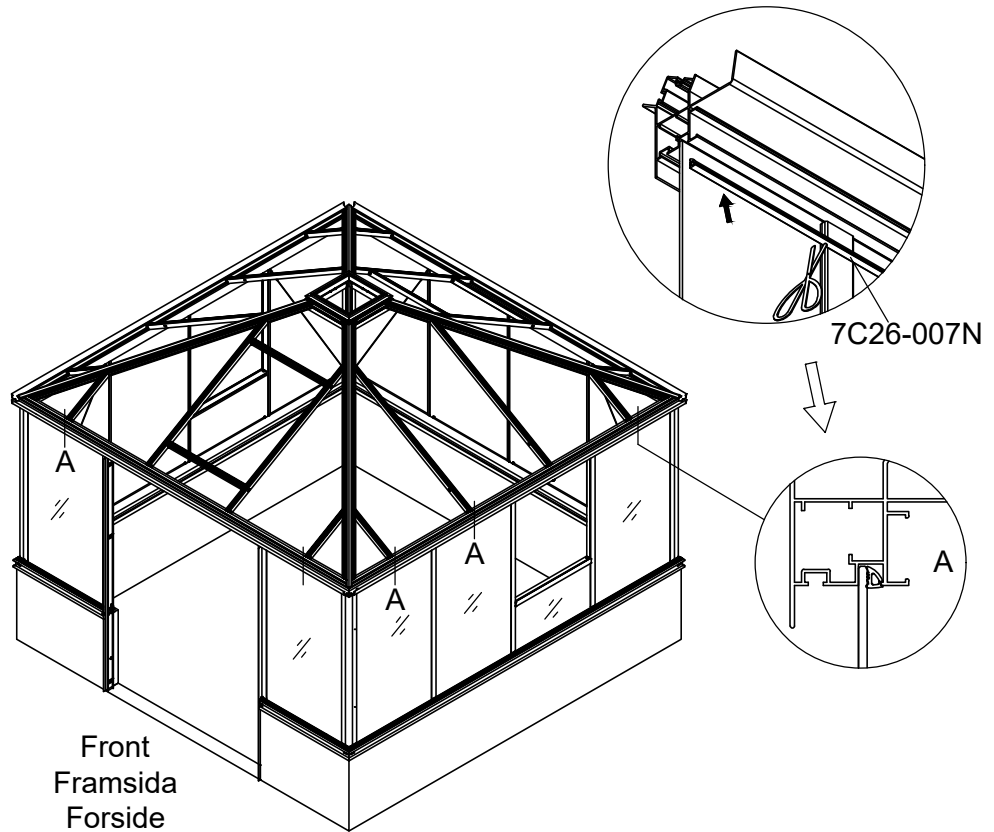
| Part | NO. | QTY. | Length(MM) |
|------|---------|------|------------|
| ባጥ | 40A-Y01 | 8 | 1235 |
| ባጥ | 40A-Y02 | 1 | 1235 |
| ባጥ | 40X-Y07 | 1 | 712 |




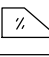
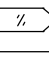

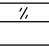
| Part | NO. | QTY. | Length(MM) |
|------|---------|------|------------|
| का | 40A-Y01 | 9 | 1235 |
| का | 40A-Y02 | 1 | 1235 |
| का | 40X-Y07 | 1 | 712 |

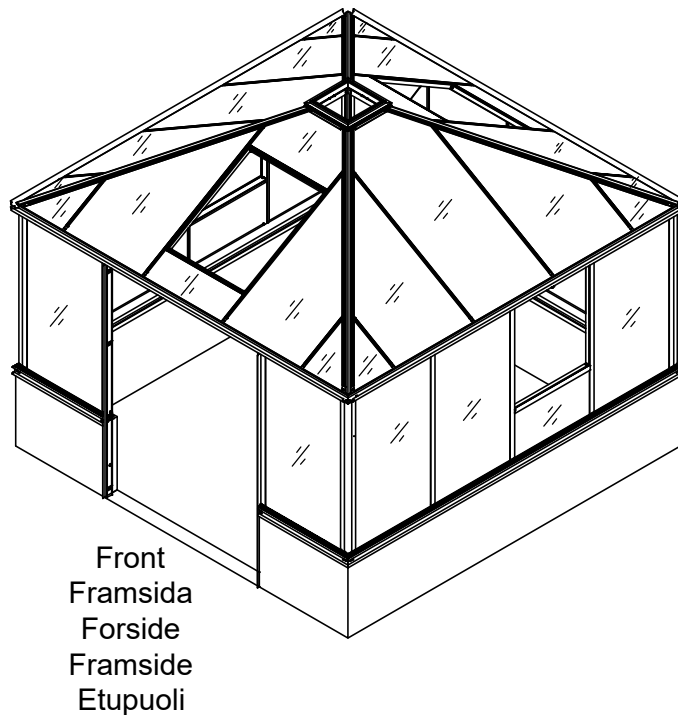
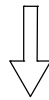
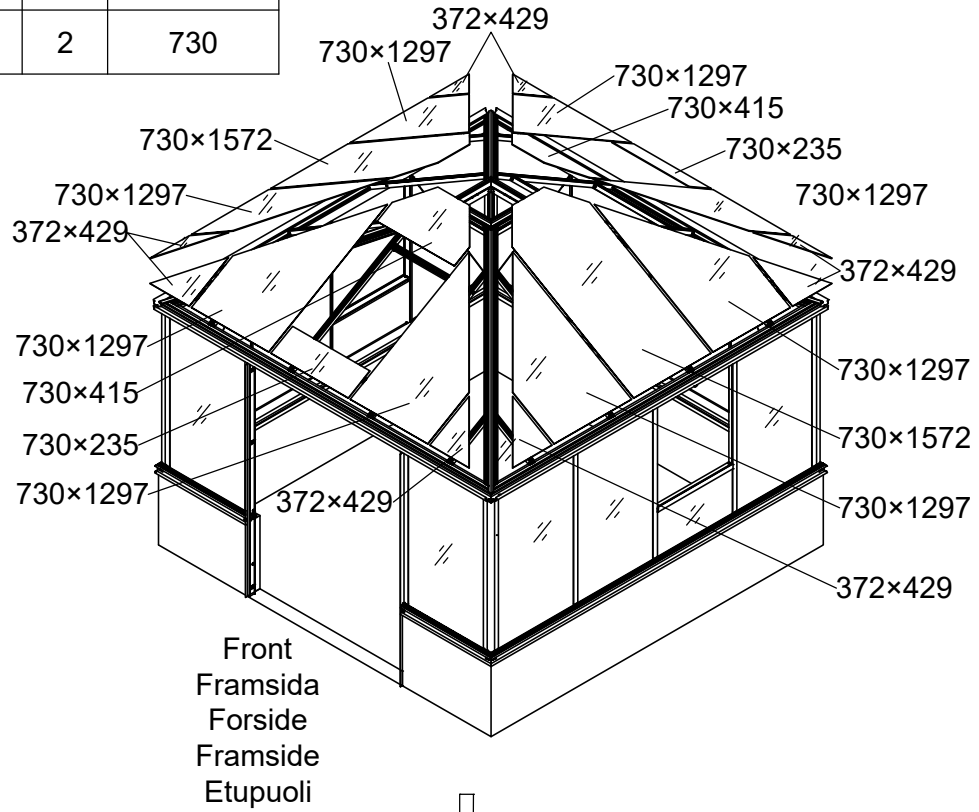


| Part | NO. | QTY. | Length(MM) |
|---|-----------|------|------------|
|  | 7C26-007N | 9M | |

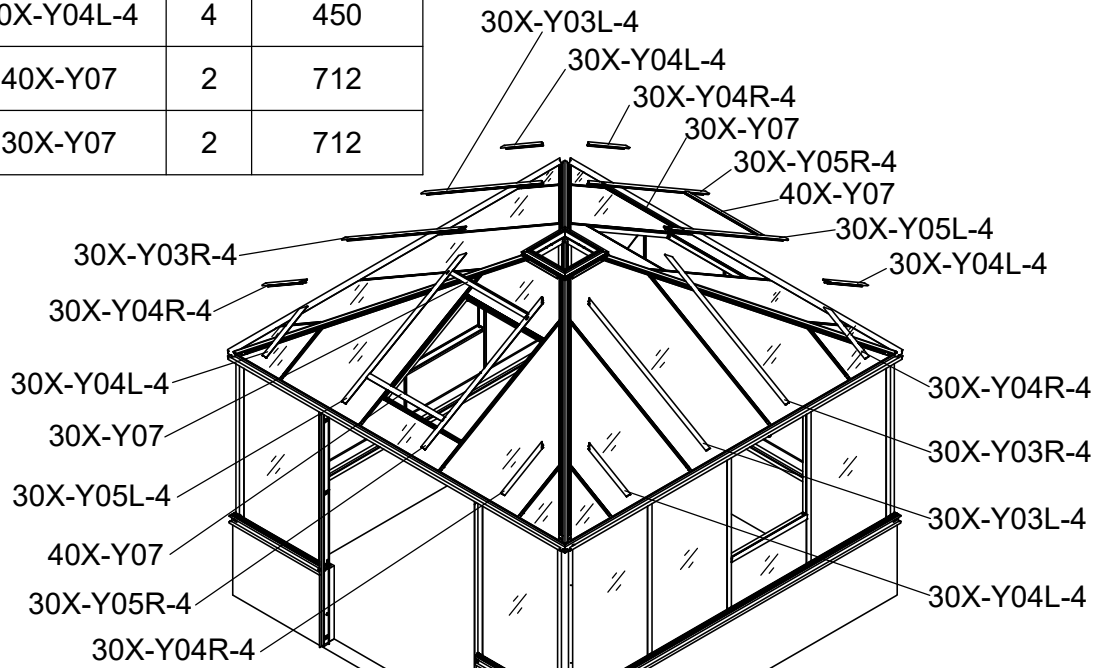


Rear
Baksida
Bagside
Baksida
Takapuoli

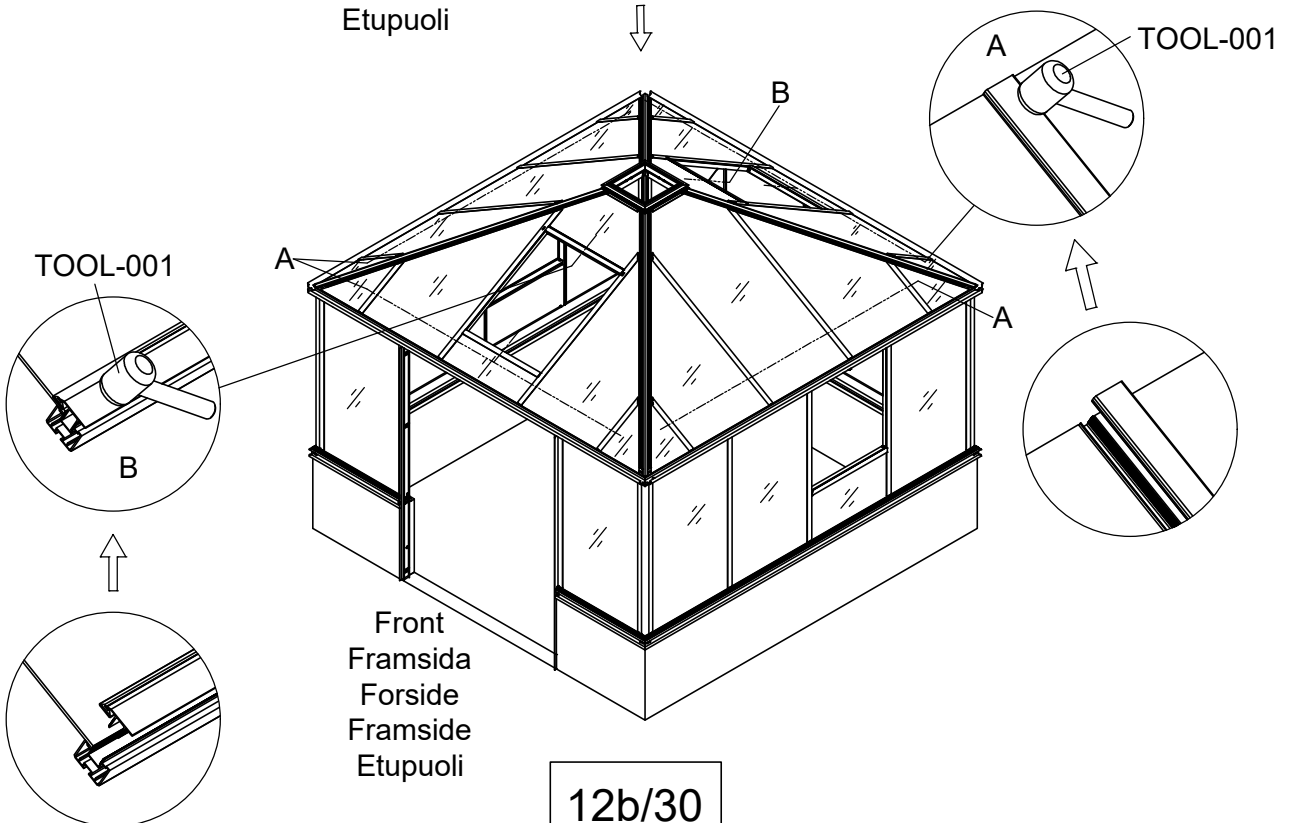
| Part | NO. | QTY. | Length(MM) |
|---|----------|------|------------|
|  | 372×429 | 8 | 429 |
|  | 730×1297 | 8 | 1297 |
|  | 730×1572 | 2 | 1572 |
|  | 730×415 | 2 | 730 |
|  | 730×235 | 2 | 730 |


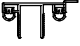


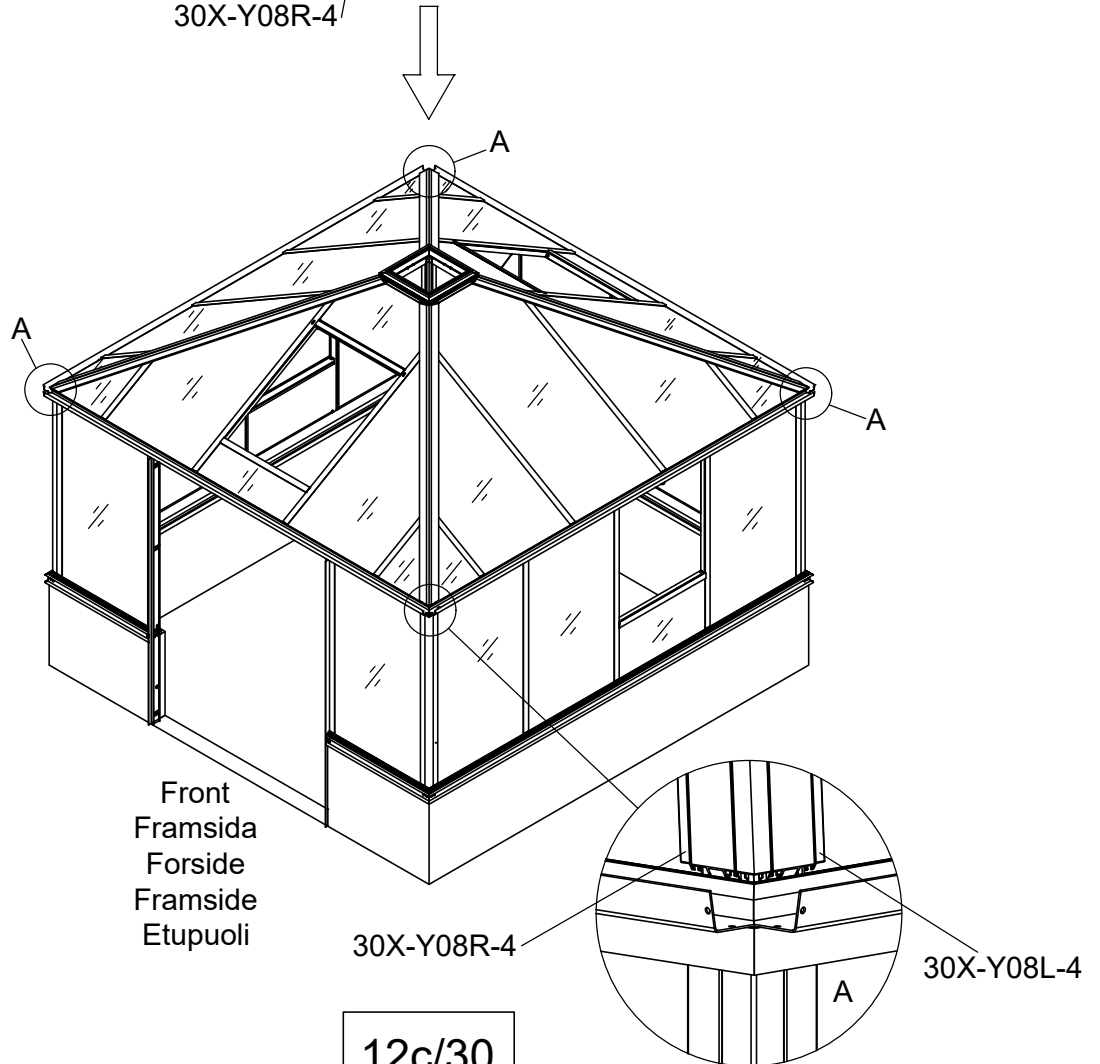
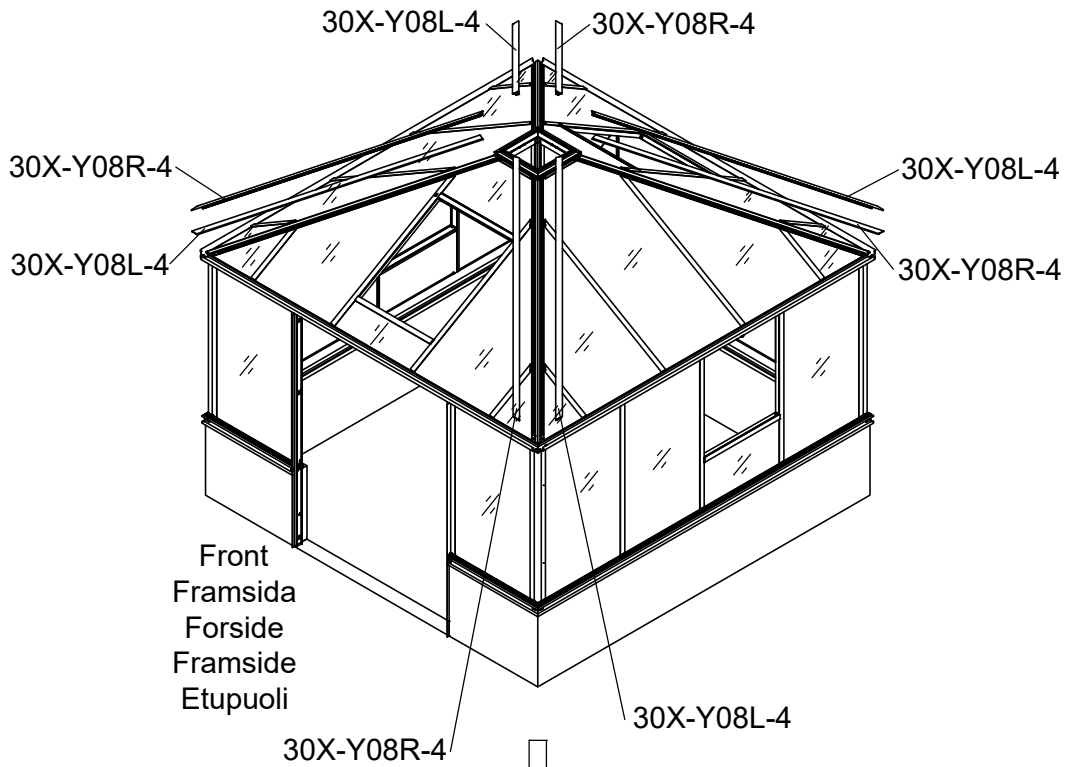
| Part | NO. | QTY. | Length(MM) |
|------|------------|------|------------|
| 𑀓𑀢𑀓 | 30X-Y03R-4 | 2 | 1317 |
| 𑀓𑀢𑀓 | 30X-Y03L-4 | 2 | 1317 |
| 𑀓𑀢𑀓 | 30X-Y05R-4 | 2 | 1317 |
| 𑀓𑀢𑀓 | 30X-Y05L-4 | 2 | 1317 |
| 𑀓𑀢𑀓 | 30X-Y04R-4 | 4 | 450 |
| 𑀓𑀢𑀓 | 30X-Y04L-4 | 4 | 450 |
| 𑀓𑀢𑀓 | 40X-Y07 | 2 | 712 |
| 𑀓𑀢𑀓 | 30X-Y07 | 2 | 712 |



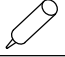

Front
Framsida
Forside
Framsida
Etupuoli

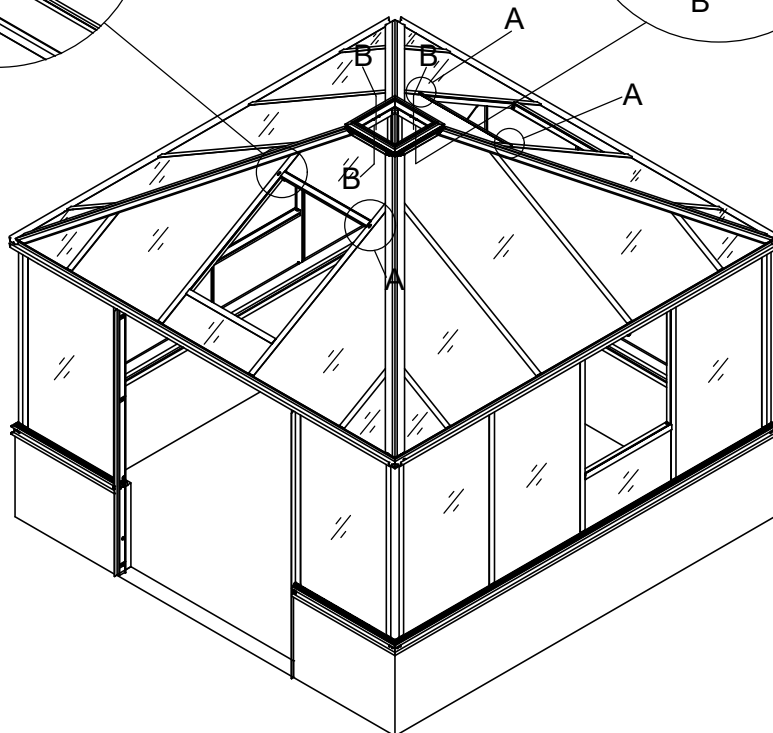
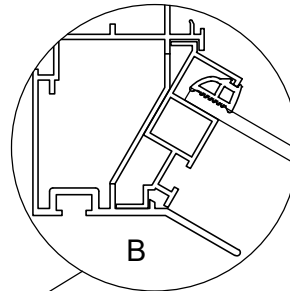
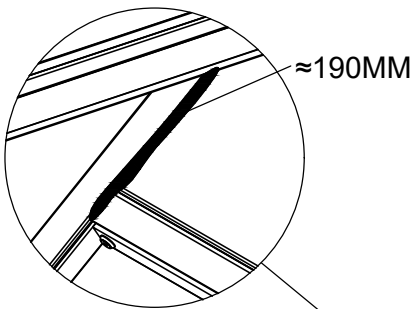
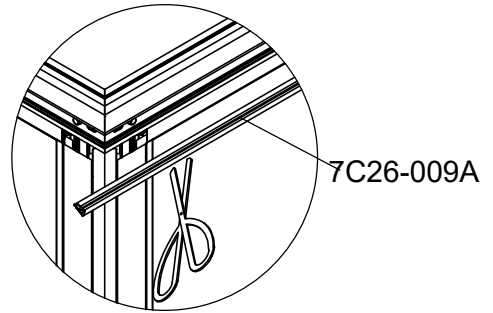
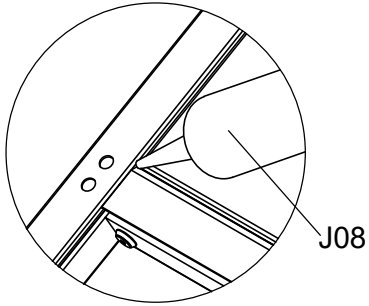



| Part | NO. | QTY. | Length(MM) |
|---|------------|------|------------|
|  | 30X-Y08R-4 | 4 | 2099 |
|  | 30X-Y08L-4 | 4 | 2099 |

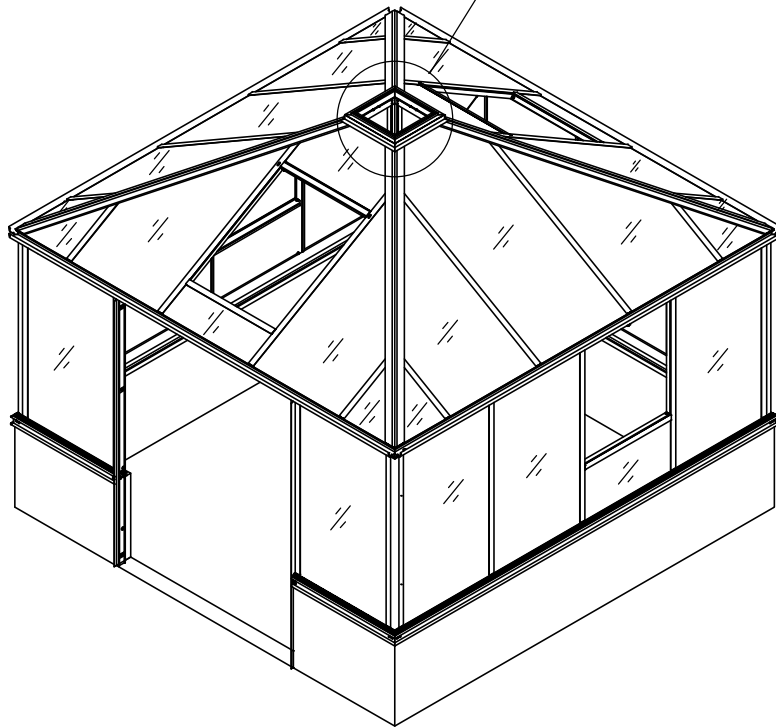
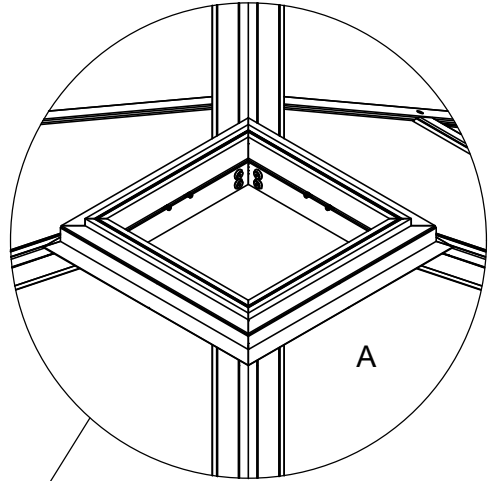
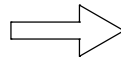
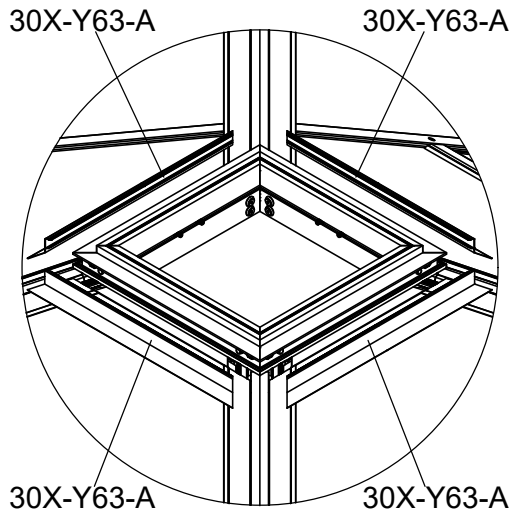






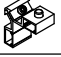
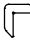
12c/30

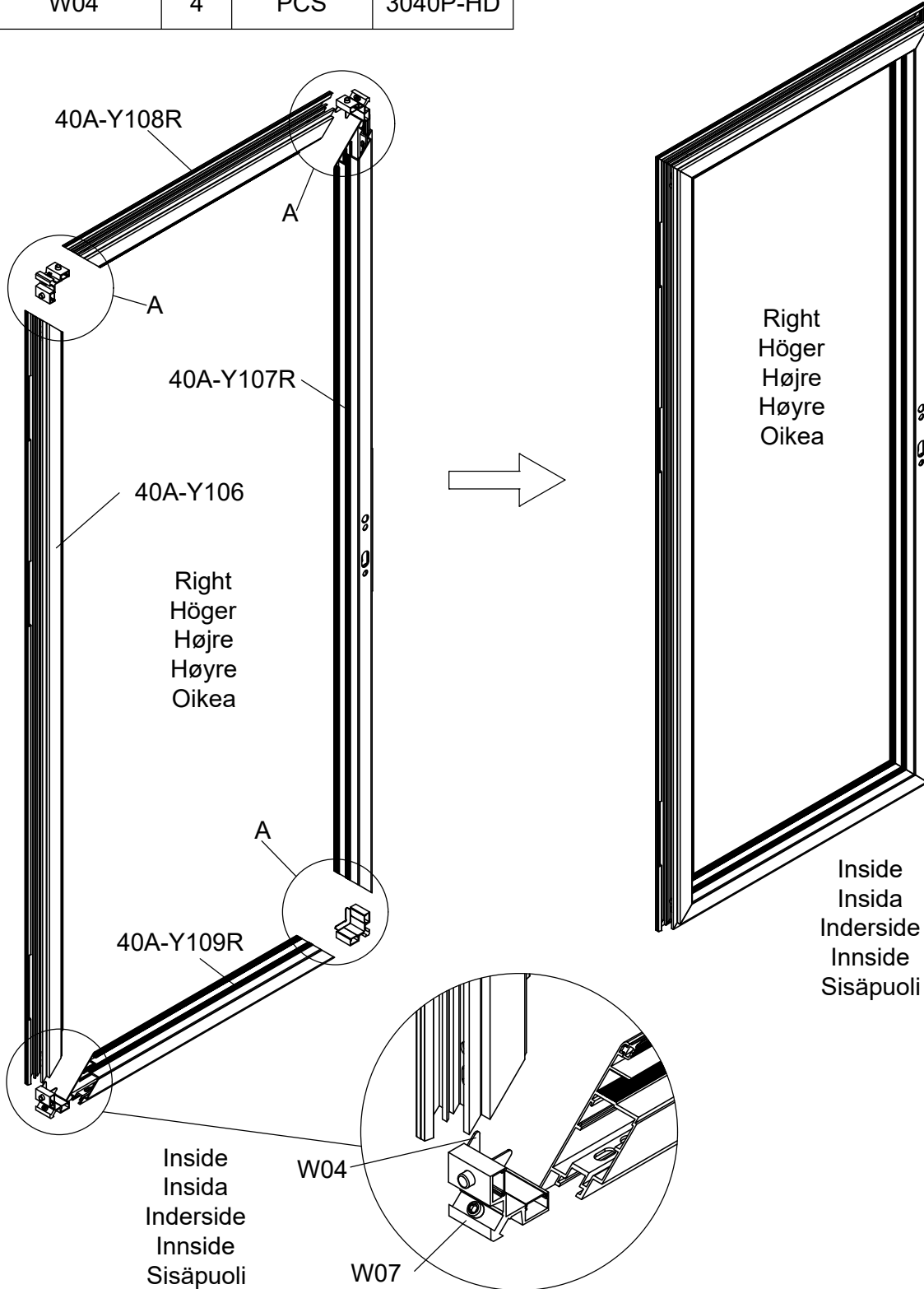
| Part | NO. | QTY. | Length(MM) |
|---|-----------|------|------------|
|  | J08 | 1 | PCS |
|  | 7C26-009A | 1.2M | |




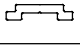
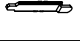
| Part | NO. | QTY. | Length(MM) |
|---|-----------|------|------------|
|  | 30X-Y63-A | 4 | 452 |

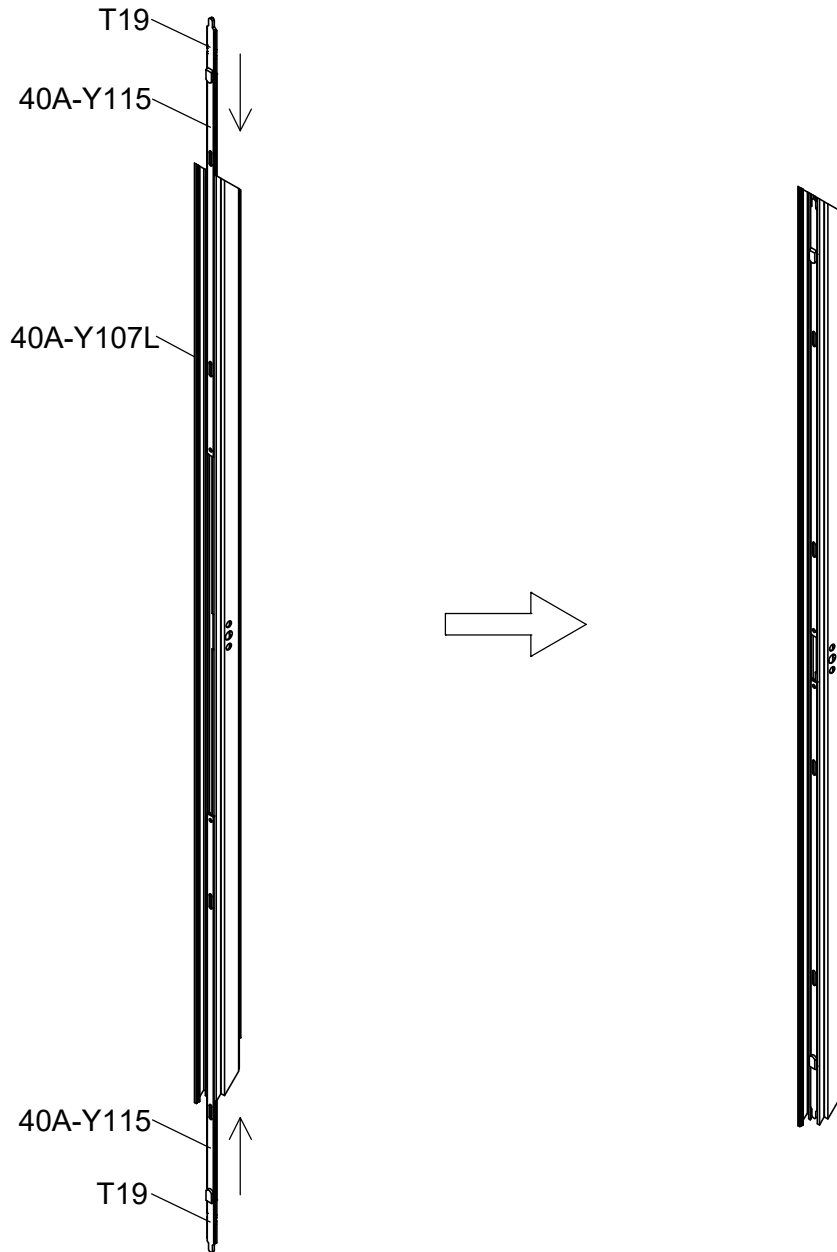







| Part | NO. | QTY. | Length(MM) | CTN NO. |
|---|-----------|------|------------|----------|
|  | 40A-Y108R | 1 | 693 | 3040P-HD |
|  | 40A-Y106 | 1 | 1872 | 3040P-HD |
|  | 40A-Y107R | 1 | 1872 | 3040P-HD |
|  | 40A-Y109R | 1 | 693 | 3040P-HD |
|  | W07 | 4 | 37 | 3040P-HD |
|  | W04 | 4 | PCS | 3040P-HD |

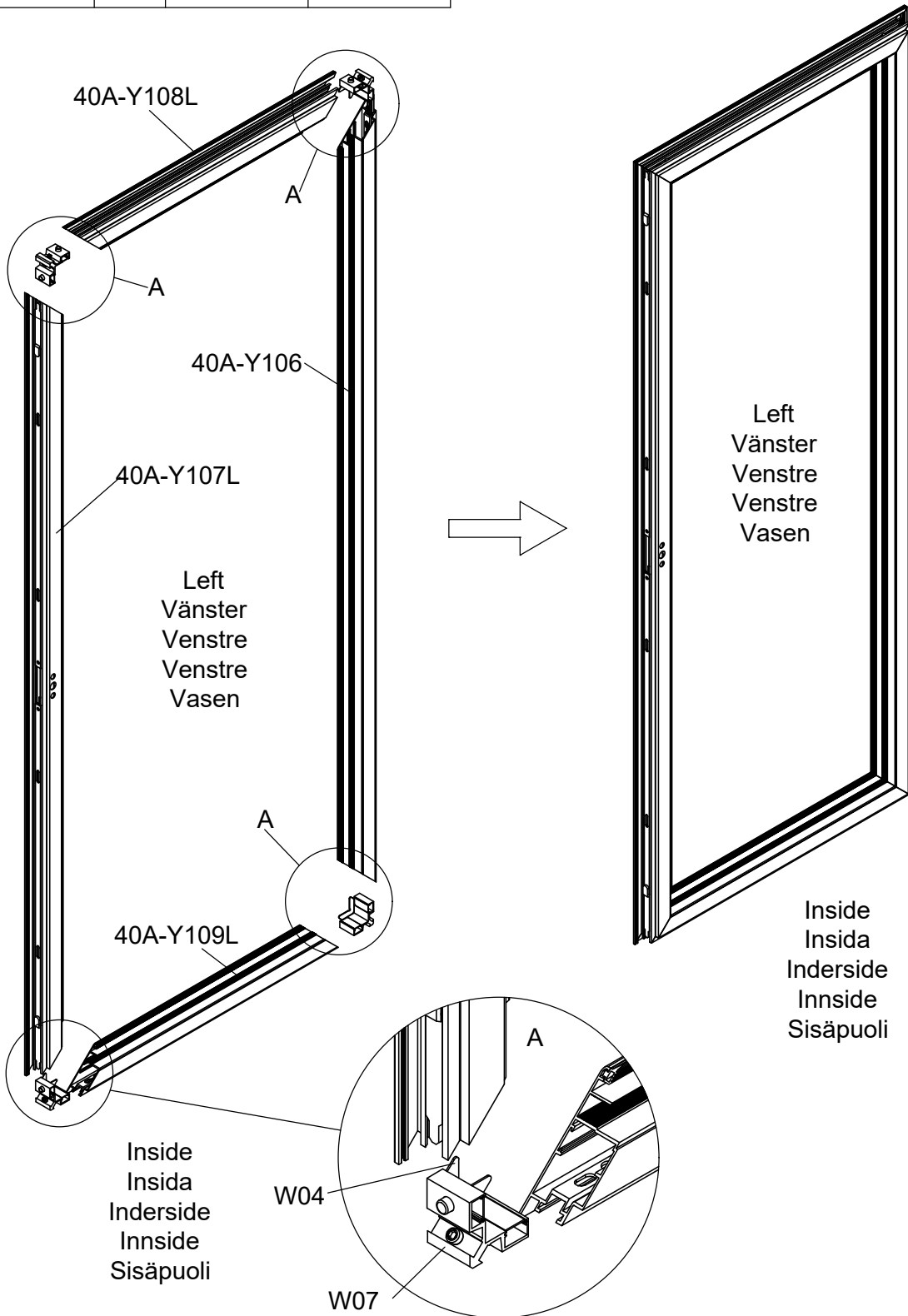




14a/30

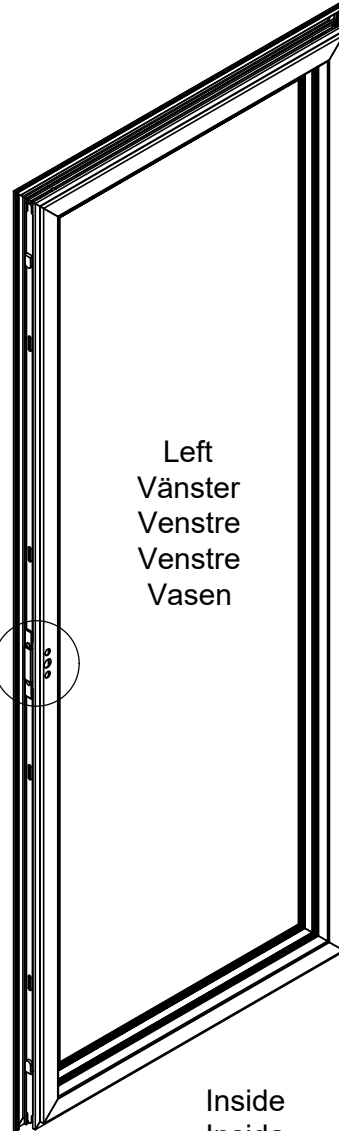
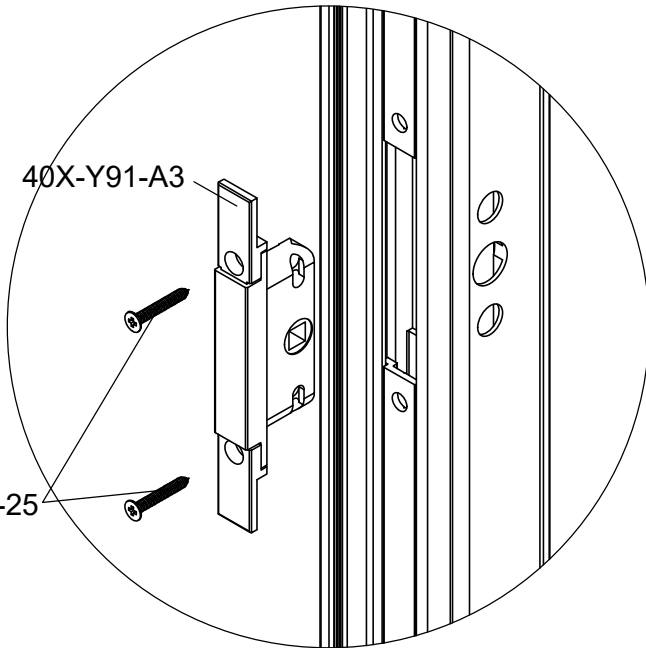
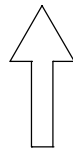
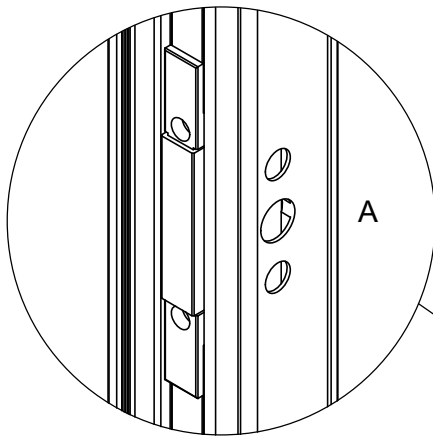
| Part | NO. | QTY. | Length(MM) | CTN NO. |
|---|-----------|------|------------|----------|
|  | 40A-Y107L | 1 | 1872 | 3040P-HD |
|  | 40A-Y115 | 2 | 766 | 3040P-HD |
|  | T19 | 2 | PCS | 3040P-HD |



| Part | NO. | QTY. | Length(MM) | CTN NO. |
|---|-----------|------|------------|----------|
|  | 40A-Y108L | 1 | 693 | 3040P-HD |
|  | 40A-Y106 | 1 | 1872 | 3040P-HD |
|  | 40A-Y109L | 1 | 693 | 3040P-HD |
|  | W07 | 4 | 37 | 3040P-HD |
|  | W04 | 4 | PCS | 3040P-HD |



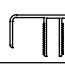
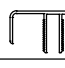
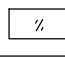


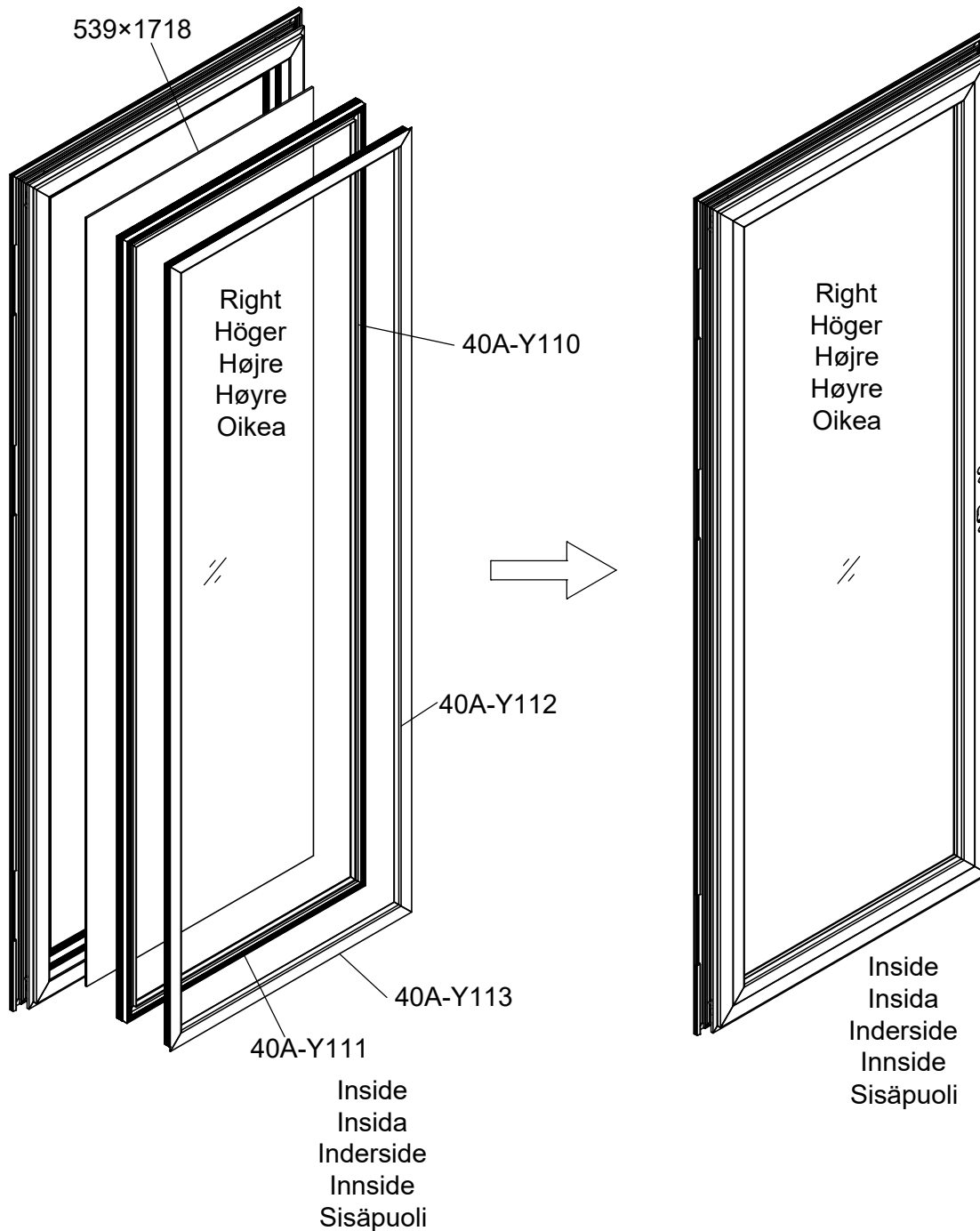
| Part | NO. | QTY. | Length(MM) | CTN NO. |
|---|------------|------|------------|----------|
|  | 40X-Y91-A3 | 1 | PCS | 3040P-HD |
|  | Z3.5-25 | 2 | PCS | 3040P-HD |



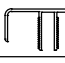
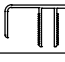
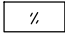


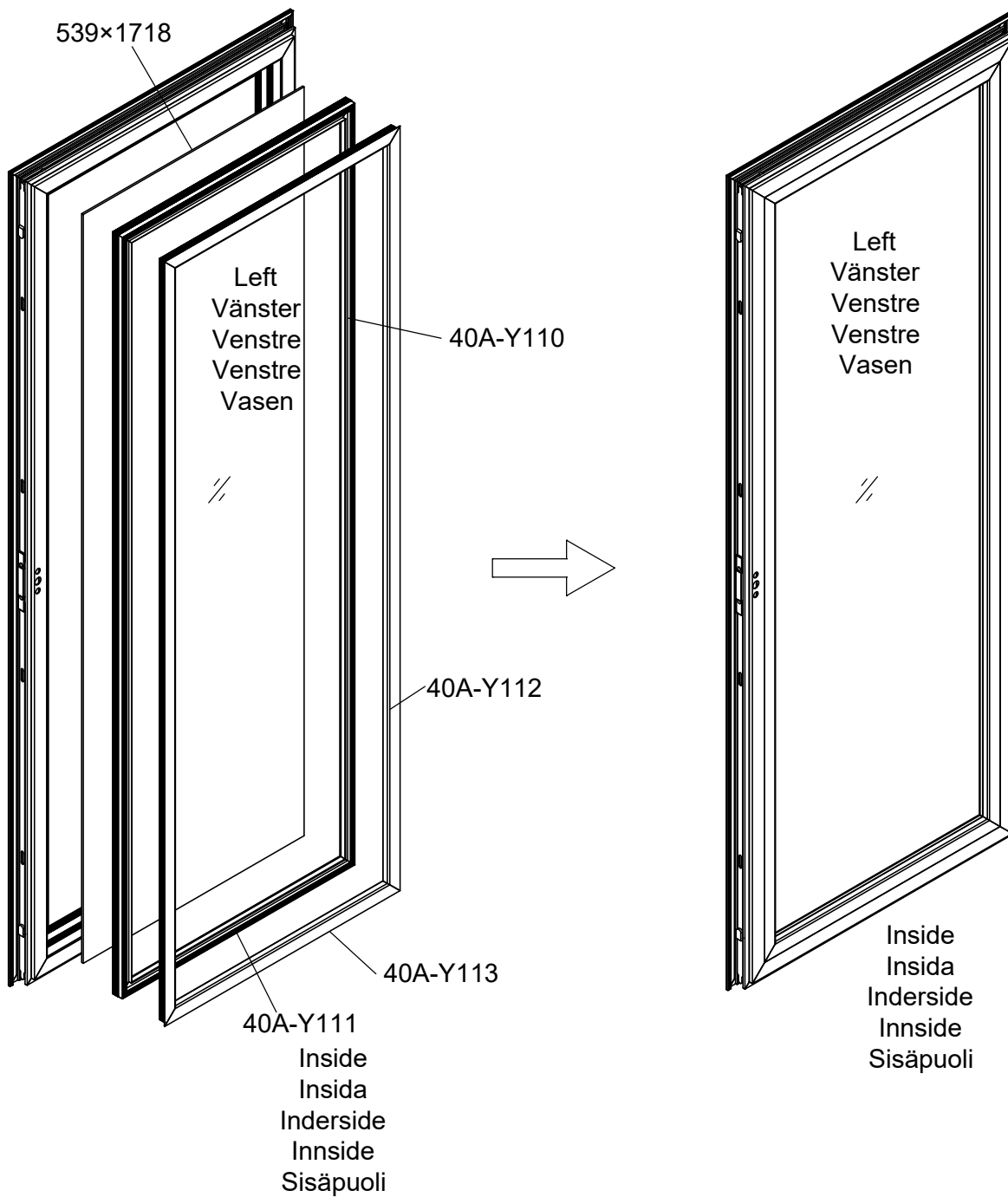
Left
Vänster
Venstre
Venstre
Vasen




Inside
Insida
Inderside
Innside
Sisäpuoli

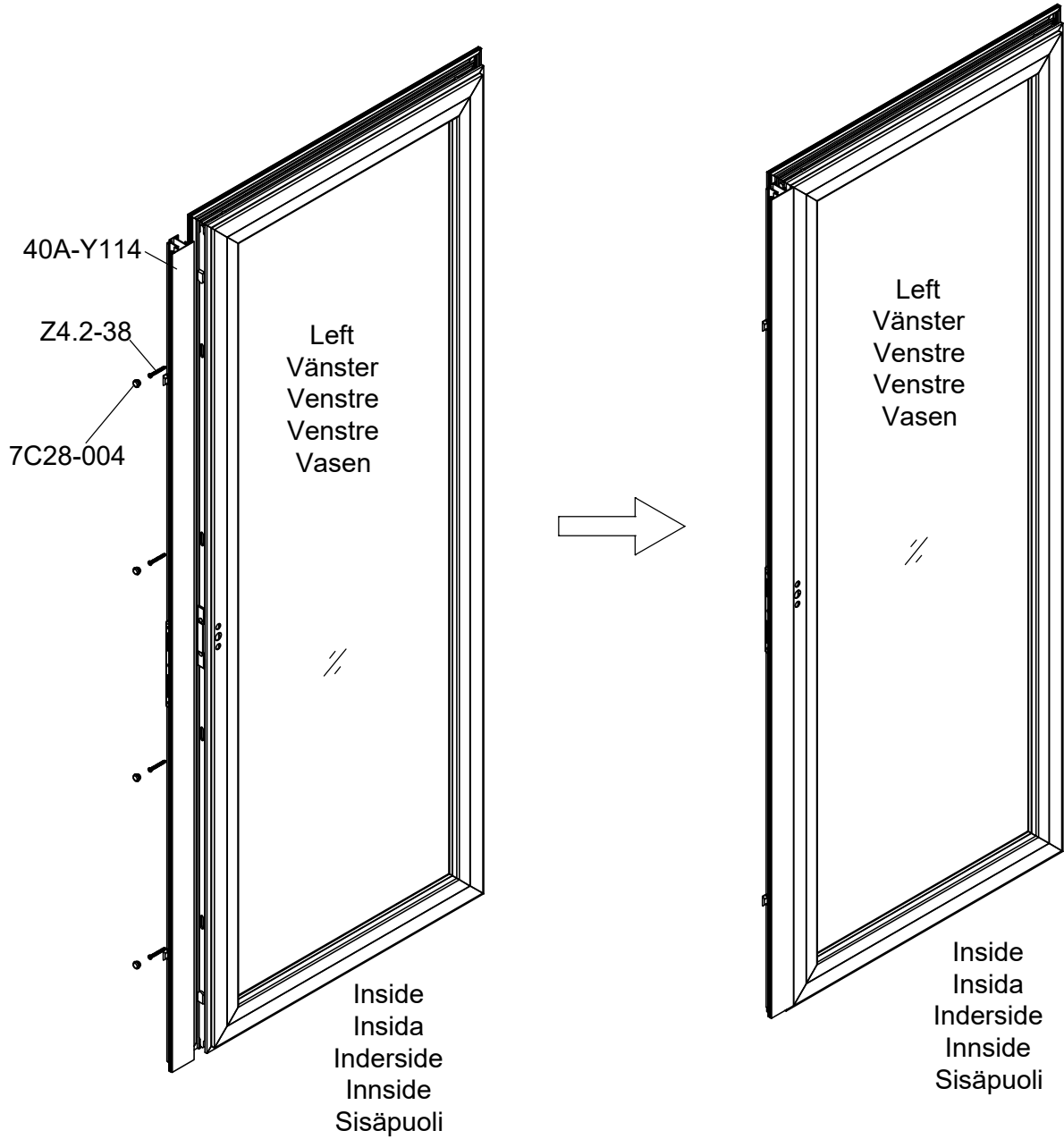
| Part | NO. | QTY. | Length(MM) | CTN NO. |
|---|----------|------|------------|----------|
|  | 40A-Y110 | 2 | 1748 | 3040P-HD |
|  | 40A-Y111 | 2 | 569 | 3040P-HD |
|  | 40A-Y112 | 2 | 1754 | 3040P-HD |
|  | 40A-Y113 | 2 | 576 | 3040P-HD |
|  | 539x1718 | 1 | 1718 | |





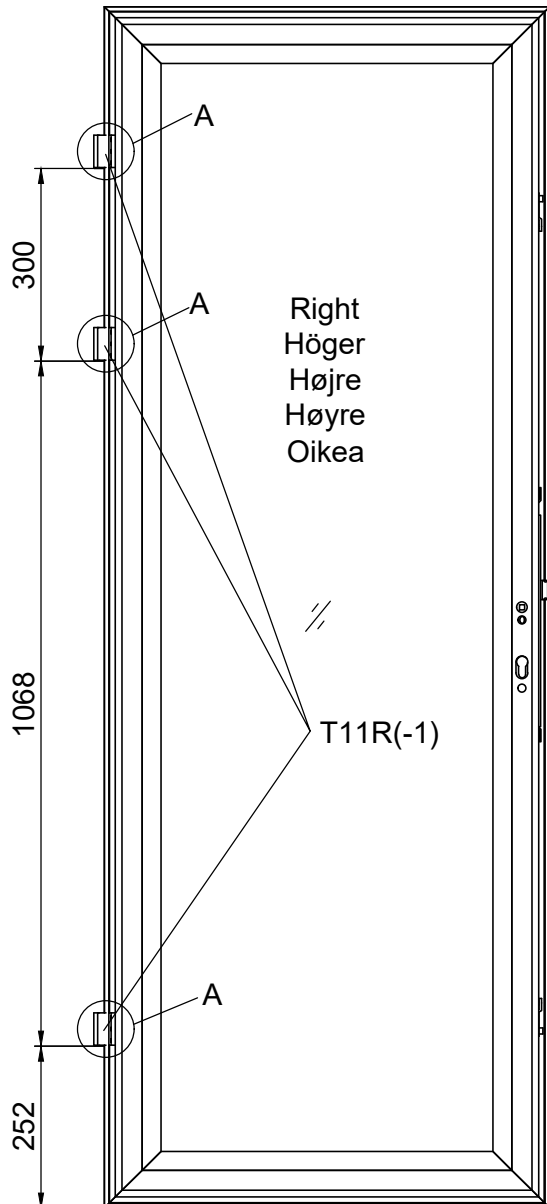
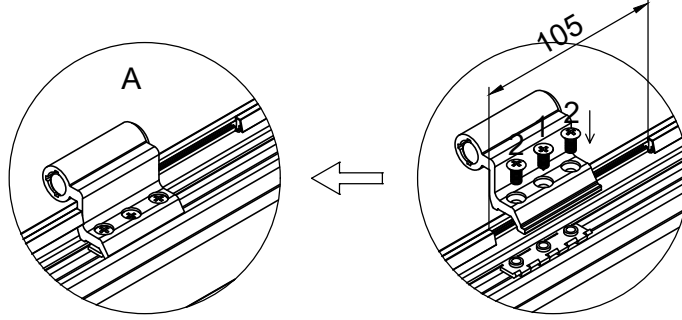
| Part | NO. | QTY. | Length(MM) | CTN NO. |
|---|----------|------|------------|----------|
|  | 40A-Y110 | 2 | 1748 | 3040P-HD |
|  | 40A-Y111 | 2 | 569 | 3040P-HD |
|  | 40A-Y112 | 2 | 1754 | 3040P-HD |
|  | 40A-Y113 | 2 | 576 | 3040P-HD |
|  | 539x1718 | 1 | 1718 | |



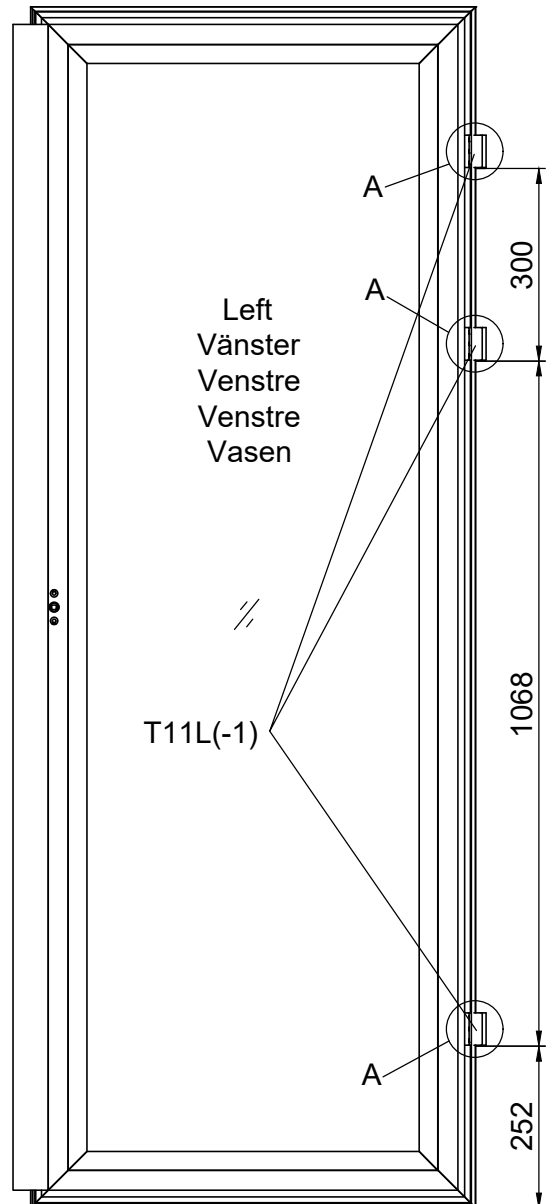
| Part | NO. | QTY. | Length(MM) | CTN NO. |
|---|----------|------|------------|----------|
|  | 40A-Y114 | 1 | 1817 | 3040P-HD |
|  | Z4.2-38 | 4 | PCS | 3040P-HD |
|  | 7C28-004 | 4 | PCS | 3040P-HD |







| Part | NO. | QTY. | Length(MM) | CTN NO. |
|---|----------|------|------------|----------|
|  | T11R(-1) | 3 | PCS | 3040P-HD |
|  | T11L(-1) | 3 | PCS | 3040P-HD |

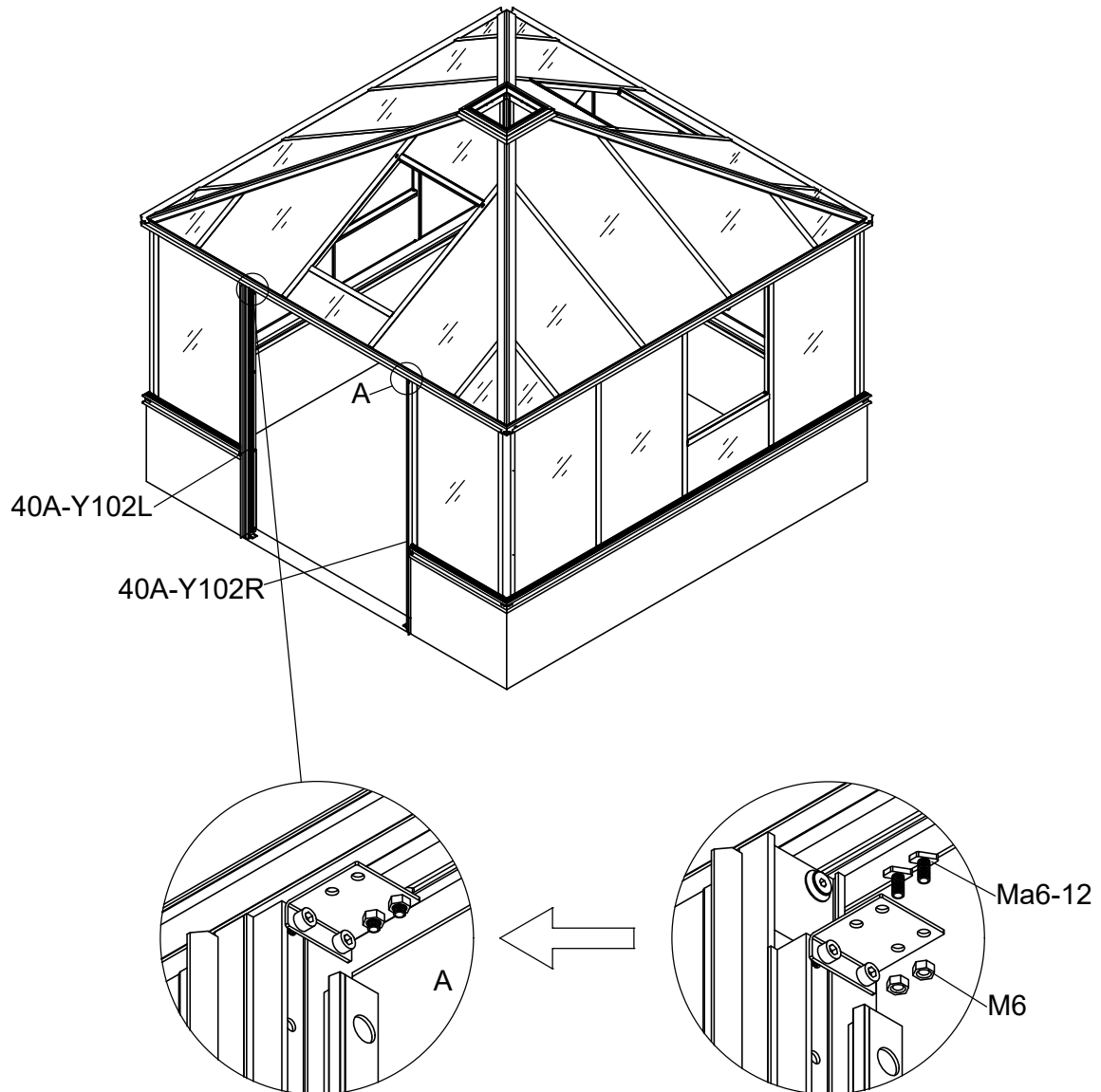





Inside
 Insida
 Inderside
 Inside
 Sisäpuoli

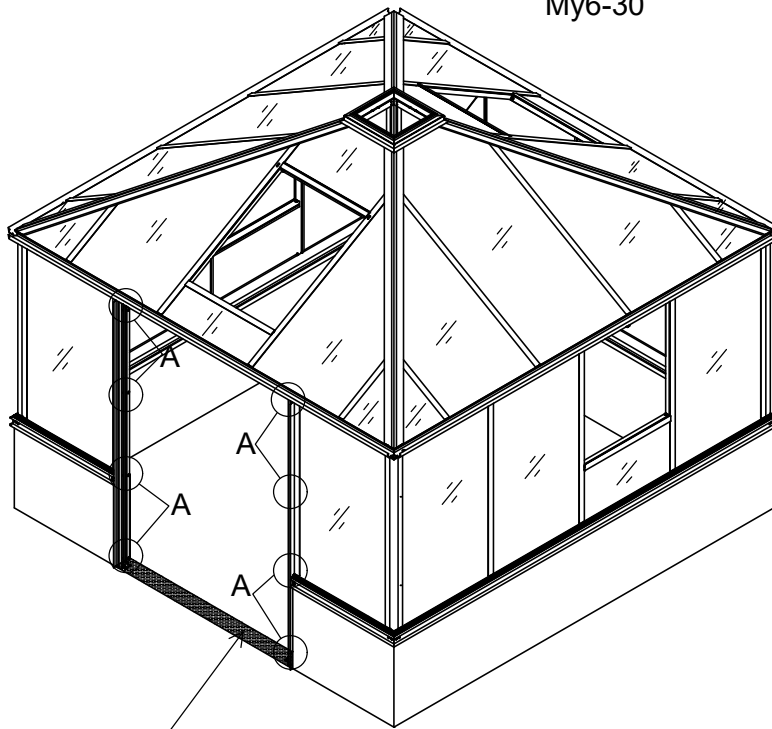
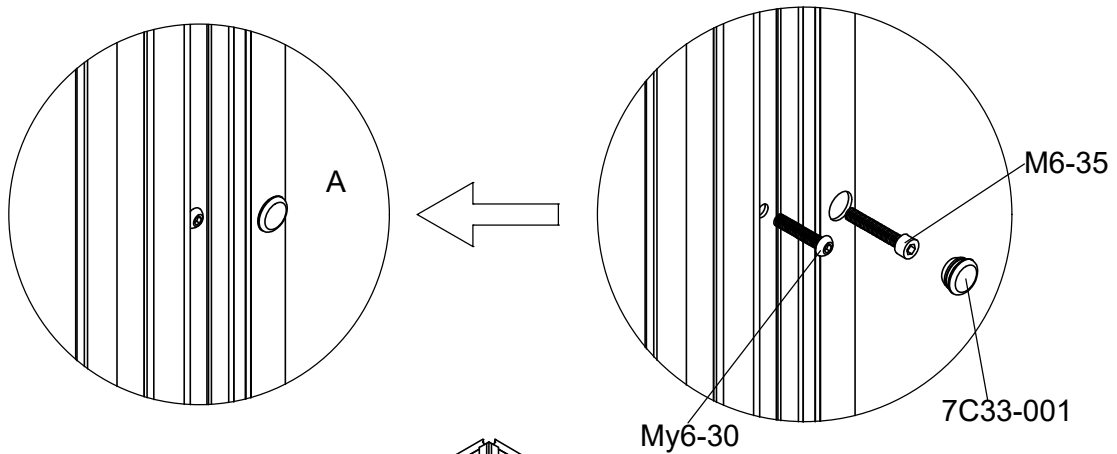


Inside
 Insida
 Inderside
 Inside
 Sisäpuoli

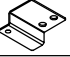


| Part | NO. | QTY. | Length(MM) | CTN NO. |
|---|-----------|------|------------|----------|
|  | 40A-Y102L | 1 | 1910 | 3040P-HD |
|  | 40A-Y102R | 1 | 1910 | 3040P-HD |
|  | Ma6-12 | 4 | PCS | 3040P-HD |
|  | M6 | 4 | PCS | 3040P-HD |

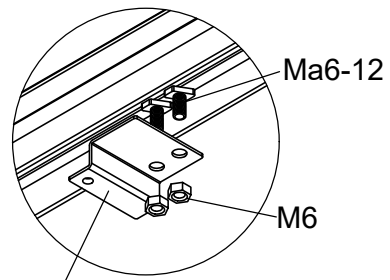
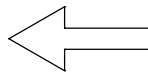
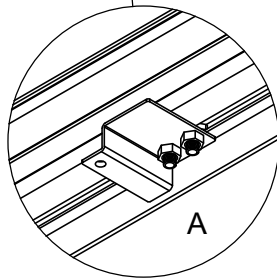
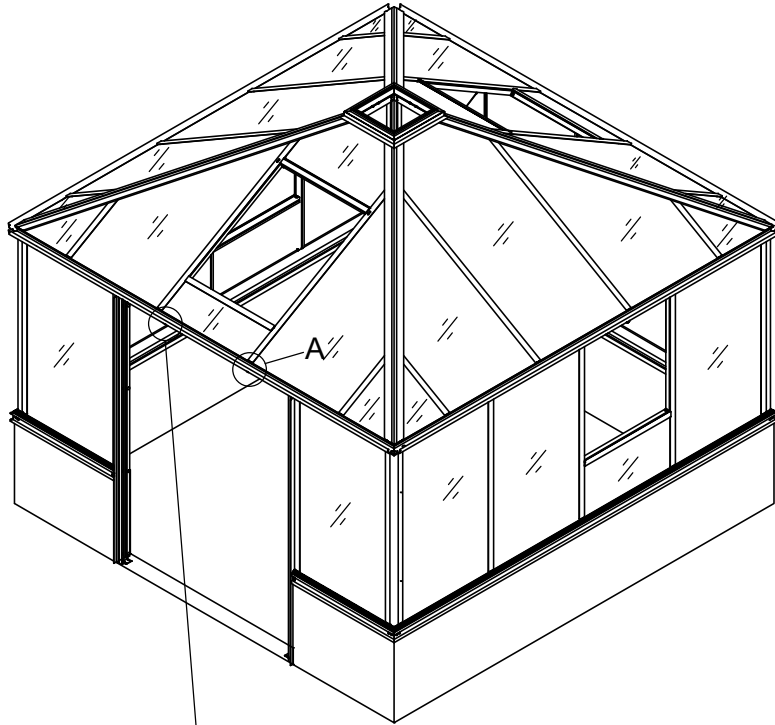


| Part | NO. | QTY. | Length(MM) | CTN NO. |
|---|----------|------|------------|----------|
|  | 7C33-001 | 8 | PCS | 3040P-HD |
|  | M6-35 | 8 | PCS | 3040P-HD |
|  | My6-30 | 8 | PCS | 3040P-HD |

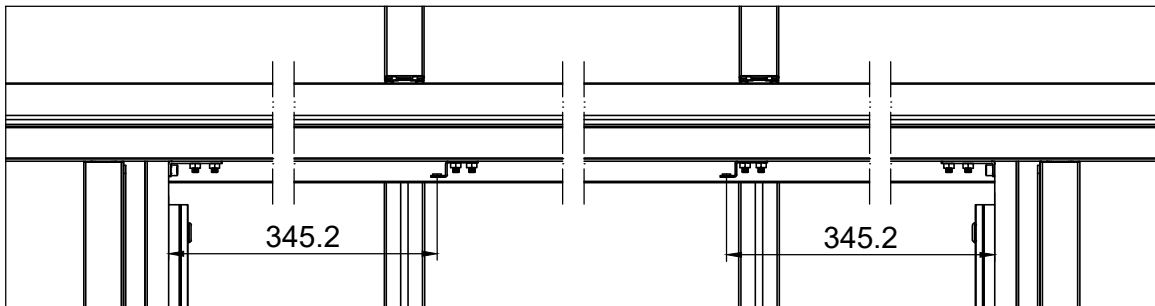



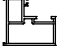
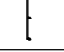


Make sure the floor below the doors frame should be flat and solid.
 Se till att underlaget under dörrramen är plan och på solid grund.
 Sørg for, at underlaget under dørkarmen er plan og på fast grund.
 Sørg for at underlaget under dørterskelen er slett og på solid fundament.
 Tarkista, että maa ovikarmin alla on sileä ja tasainen.

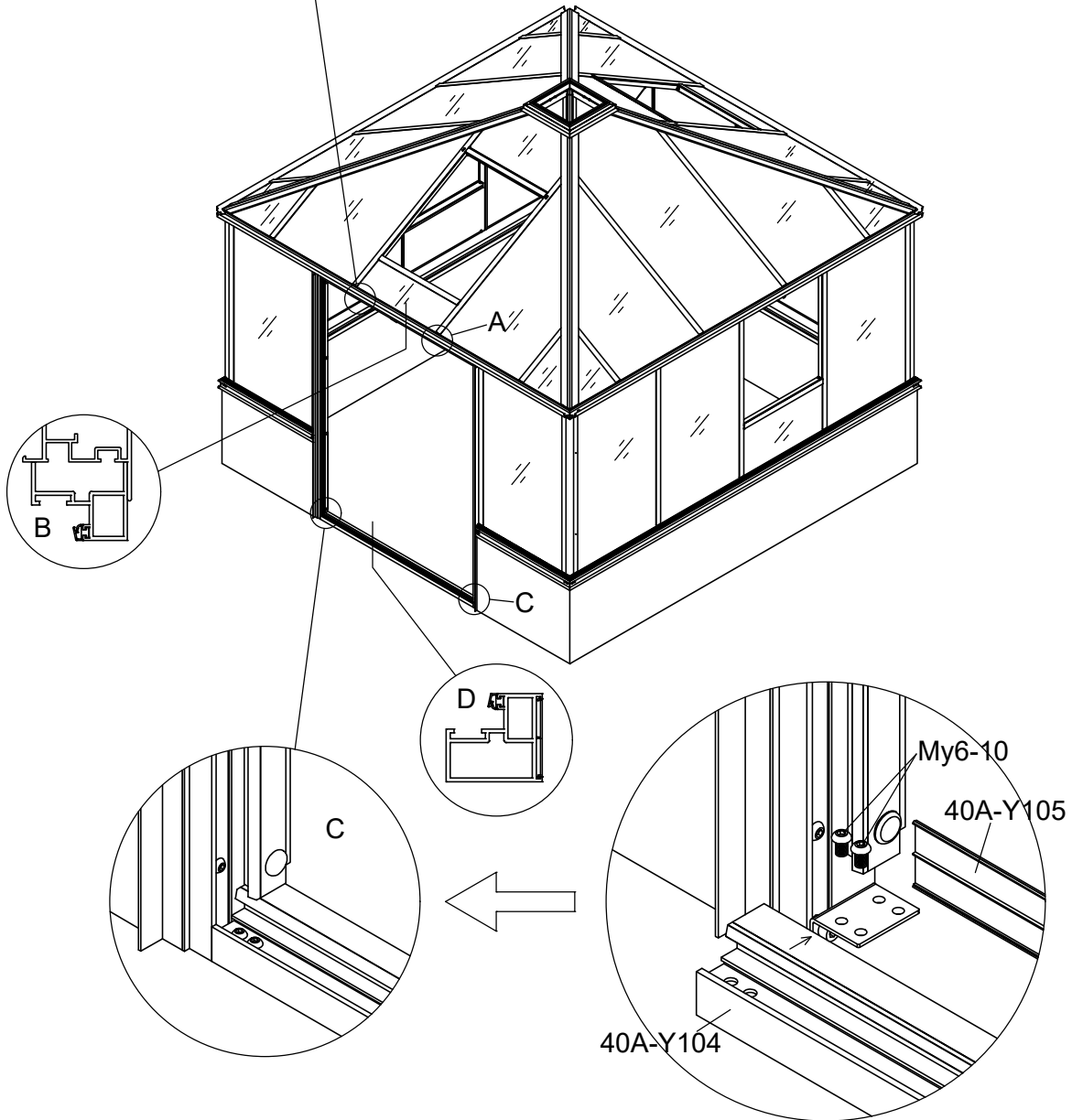
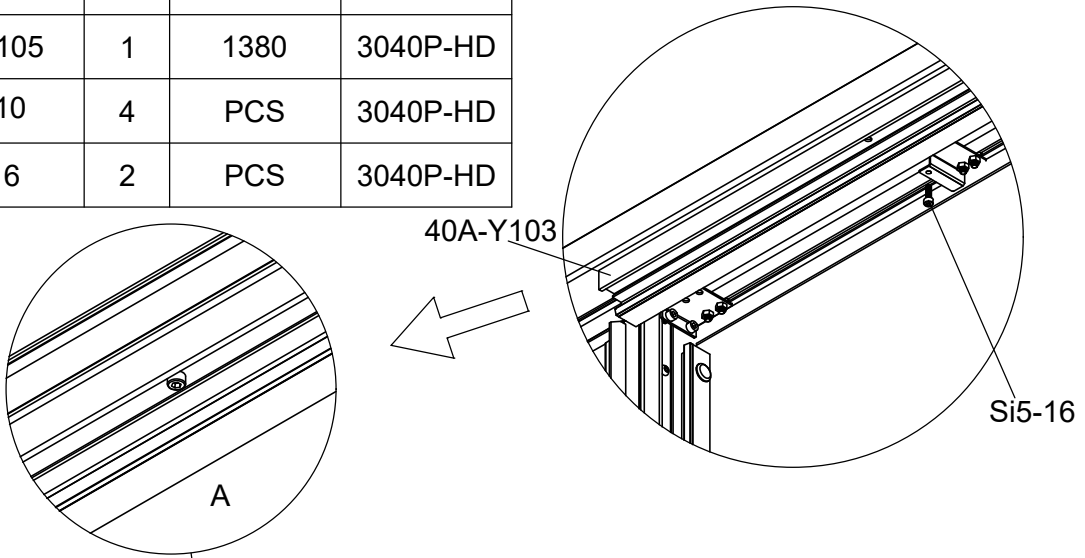
| Part | NO. | QTY. | Length(MM) | CTN NO. |
|---|----------|------|------------|----------|
|  | 7B26-122 | 2 | PCS | 3040P-HD |
|  | Ma6-12 | 4 | PCS | 3040P-HD |
|  | M6 | 4 | PCS | 3040P-HD |





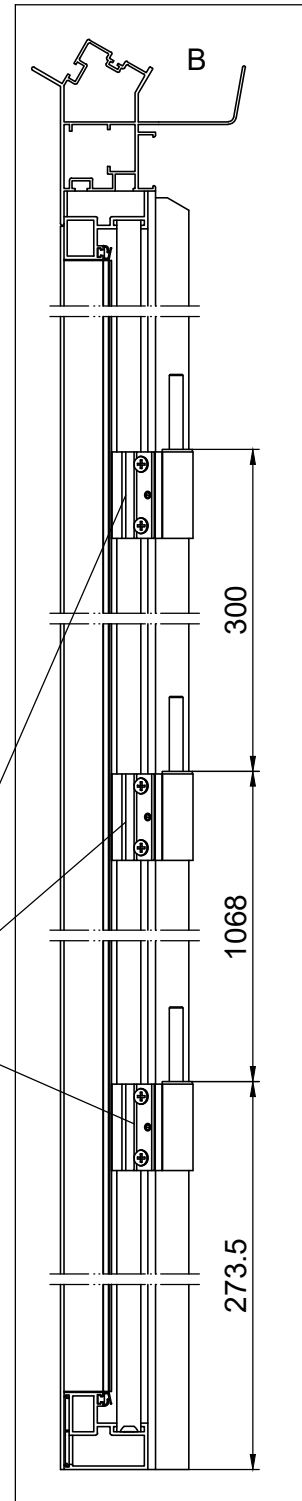
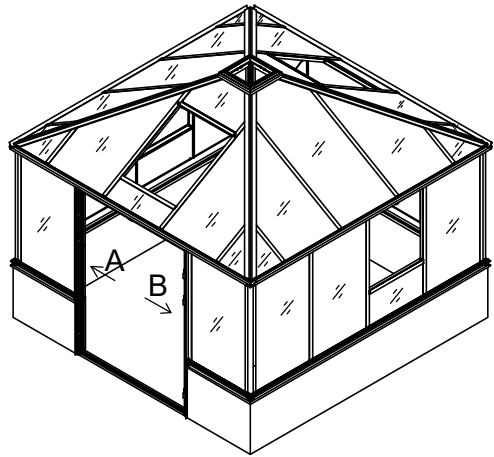
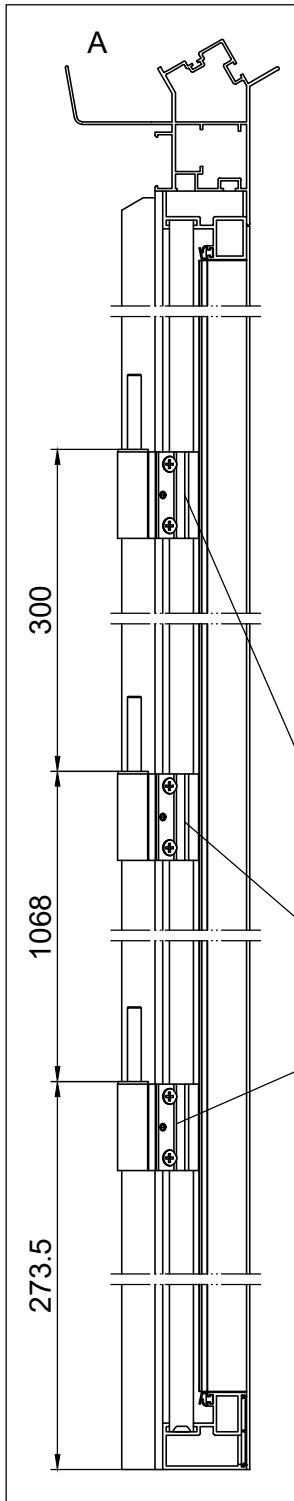
7B26-122

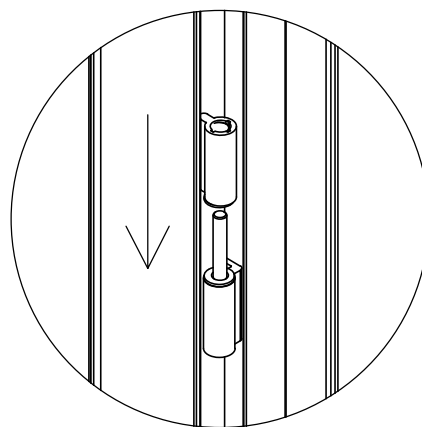
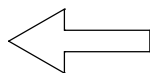
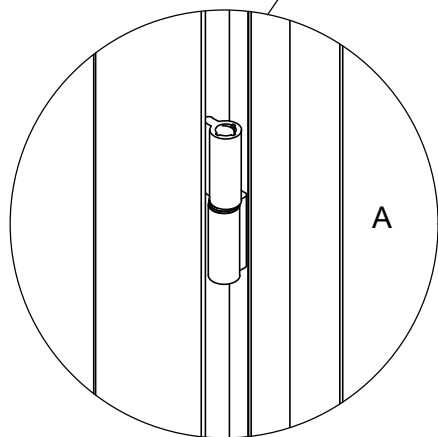
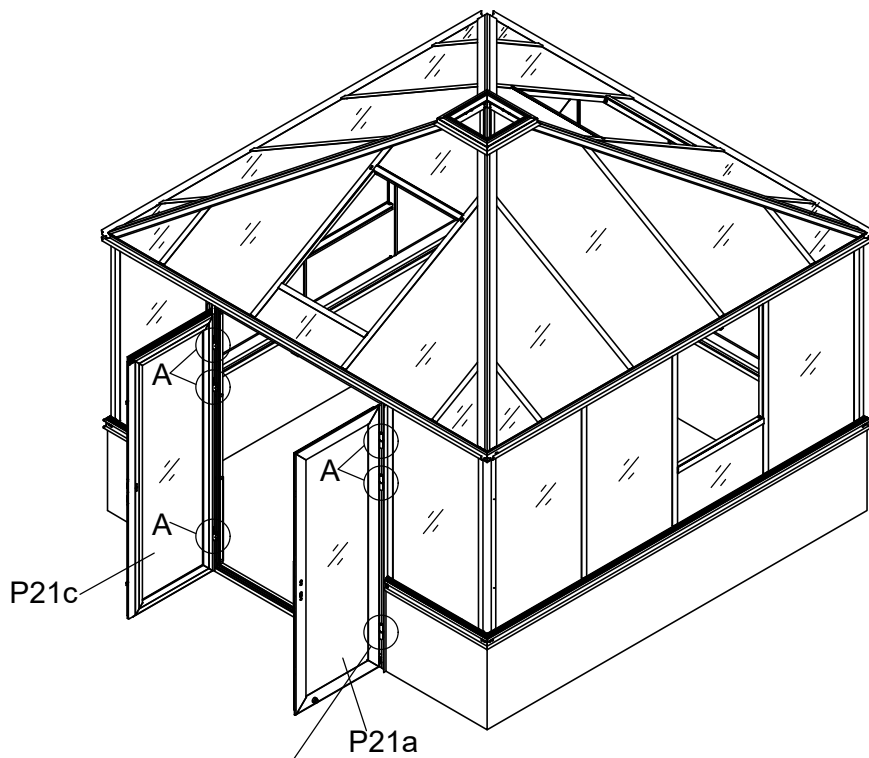




| Part | NO. | QTY. | Length(MM) | CTN NO. |
|---|----------|------|------------|----------|
|  | 40A-Y103 | 1 | 1380 | 3040P-HD |
|  | 40A-Y104 | 1 | 1380 | 3040P-HD |
|  | 40A-Y105 | 1 | 1380 | 3040P-HD |
|  | My6-10 | 4 | PCS | 3040P-HD |
|  | Si5-16 | 2 | PCS | 3040P-HD |

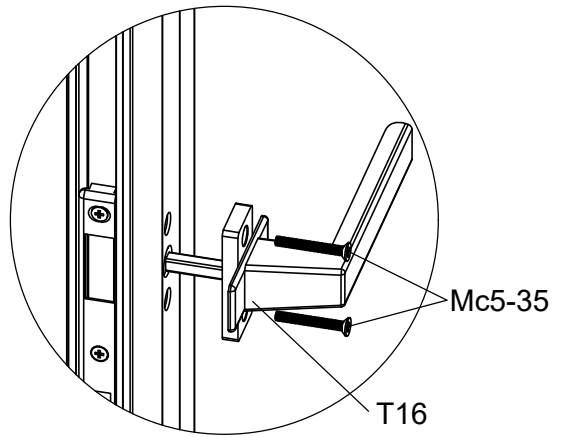
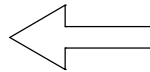
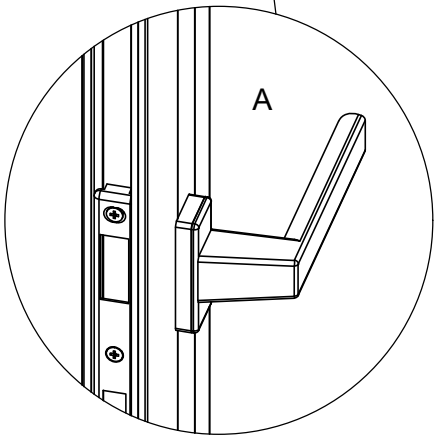
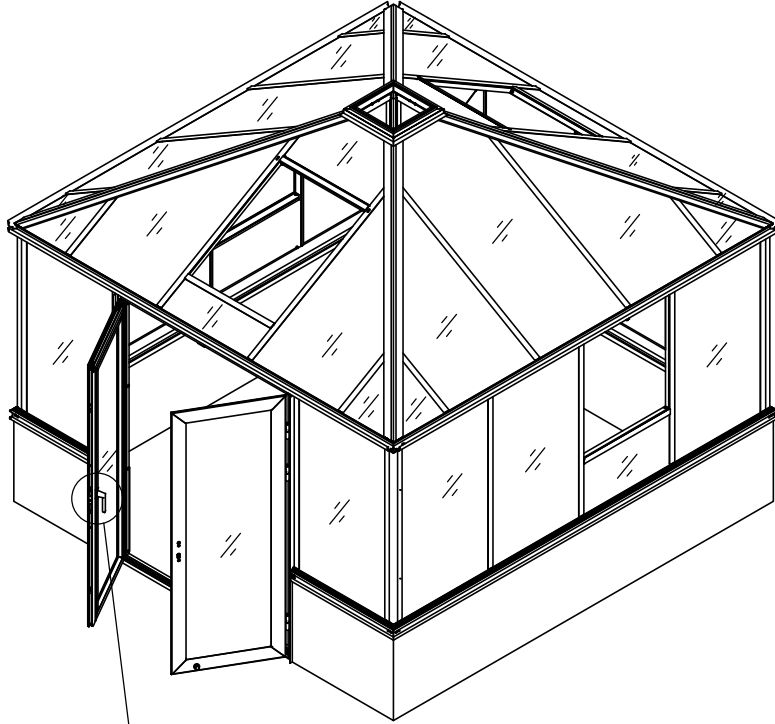



| Part | NO. | QTY. | Length(MM) | CTN NO. |
|---|----------|------|------------|----------|
|  | T11R(-2) | 3 | PCS | 3040P-HD |
|  | T11L(-2) | 3 | PCS | 3040P-HD |

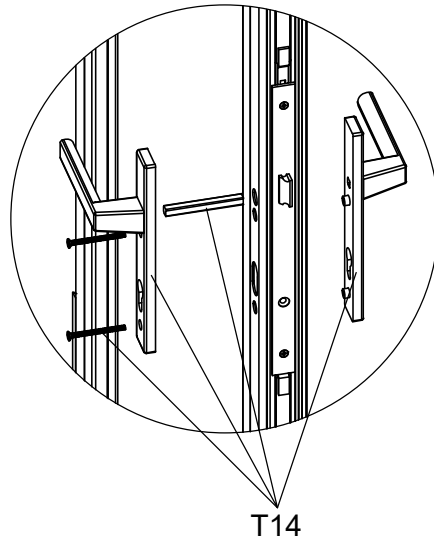
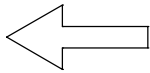
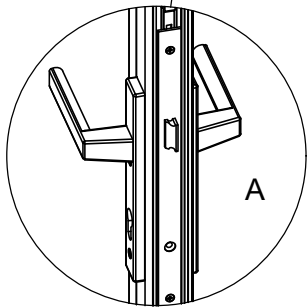
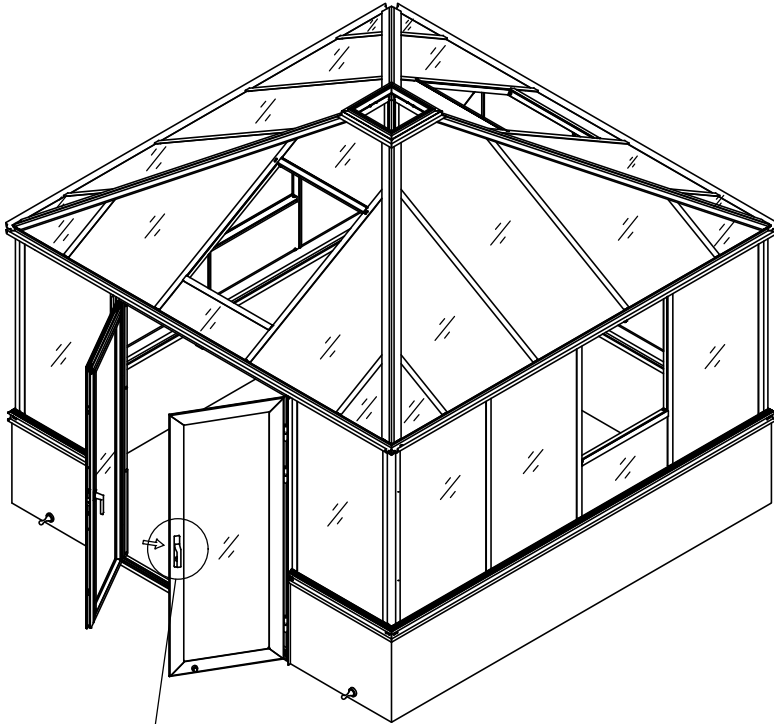





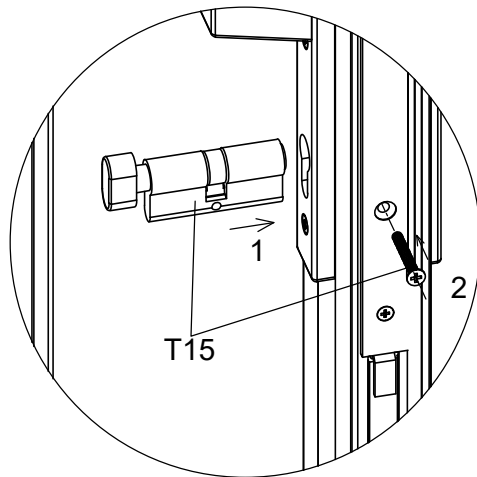
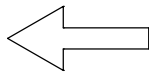
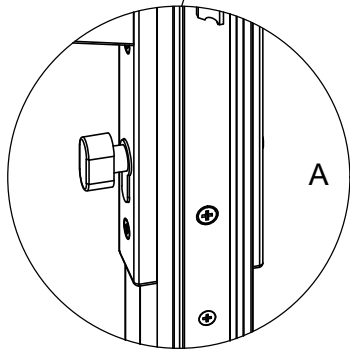
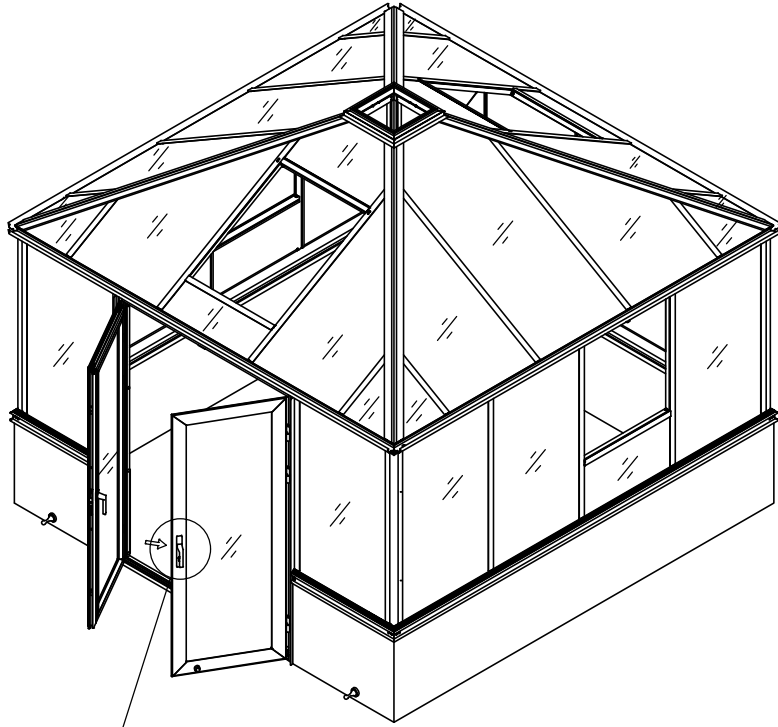
| Part | NO. | QTY. | Length(MM) | CTN NO. |
|---|--------|------|------------|----------|
|  | T16 | 1 | PCS | 3040P-HD |
|  | Mc5-35 | 2 | PCS | 3040P-HD |






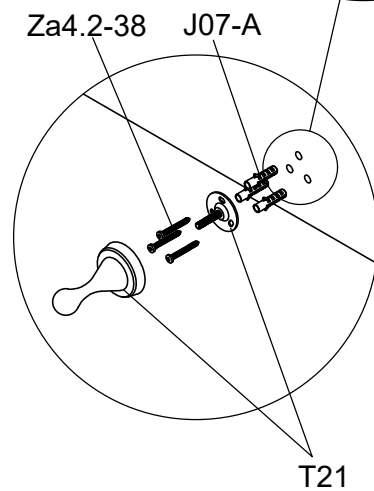
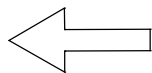
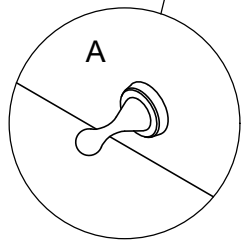
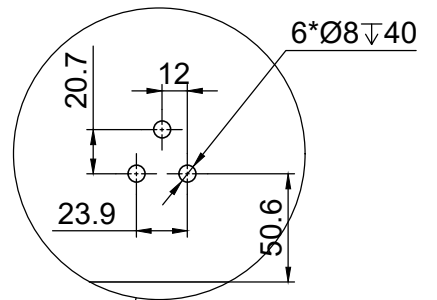
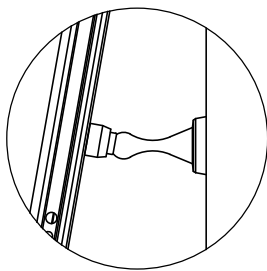
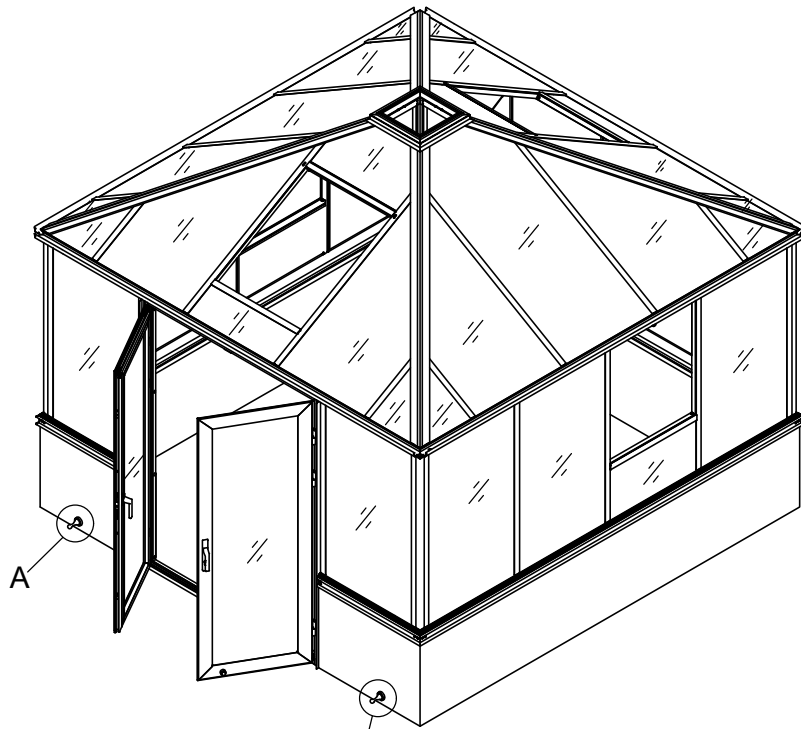
| Part | NO. | QTY. | Length(MM) | CTN NO. |
|---|-----|------|------------|----------|
|  | T14 | 1 | PCS | 3040P-HD |





| Part | NO. | QTY. | Length(MM) | CTN NO. |
|---|-----|------|------------|----------|
|  | T15 | 1 | PCS | 3040P-HD |

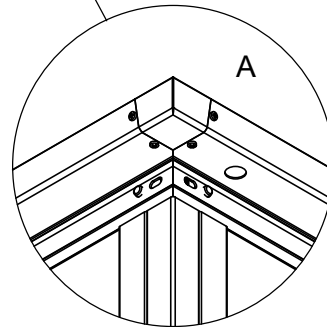
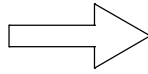
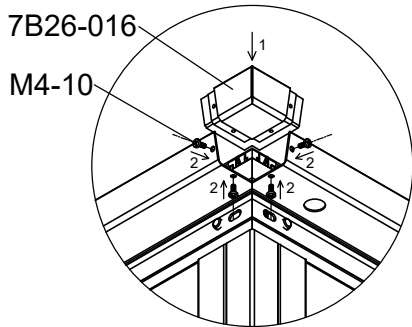
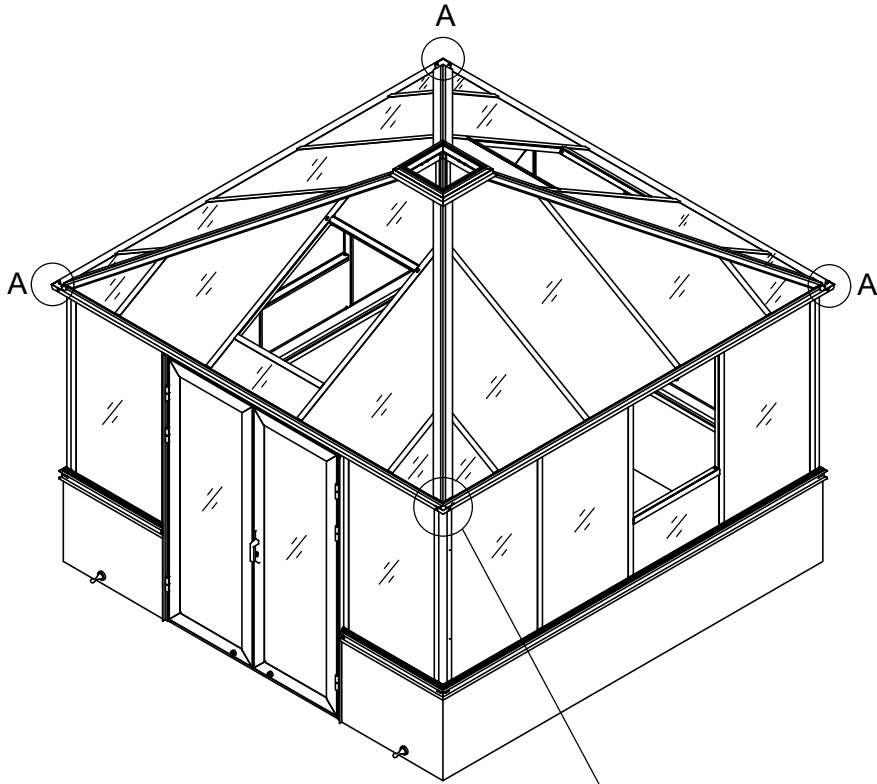



| Part | NO. | QTY. | Length(MM) | CTN NO. |
|---|----------|------|------------|----------|
|  | T21 | 2 | PCS | 3040P-HD |
|  | J07-A | 6 | PCS | 3040P-HD |
|  | Za4.2-38 | 6 | PCS | 3040P-HD |

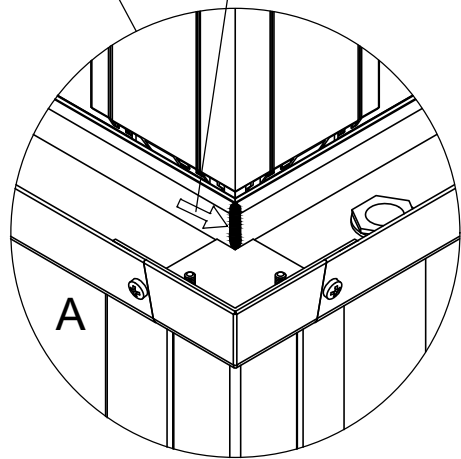
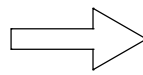
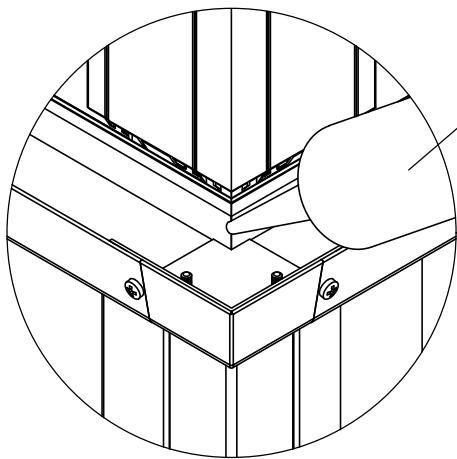
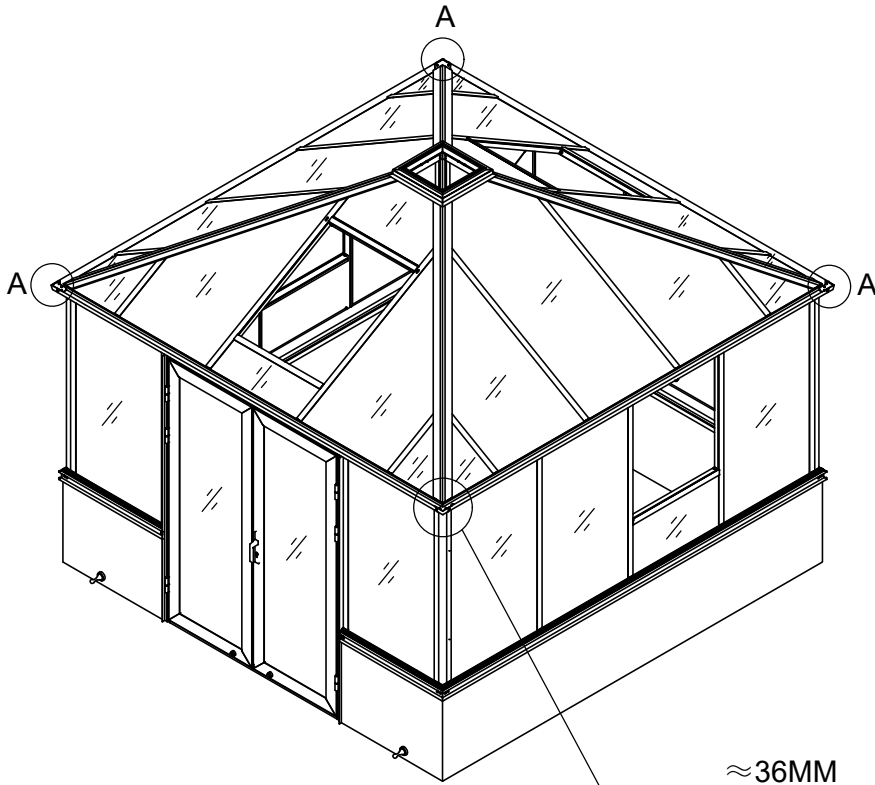




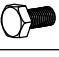

20d/30

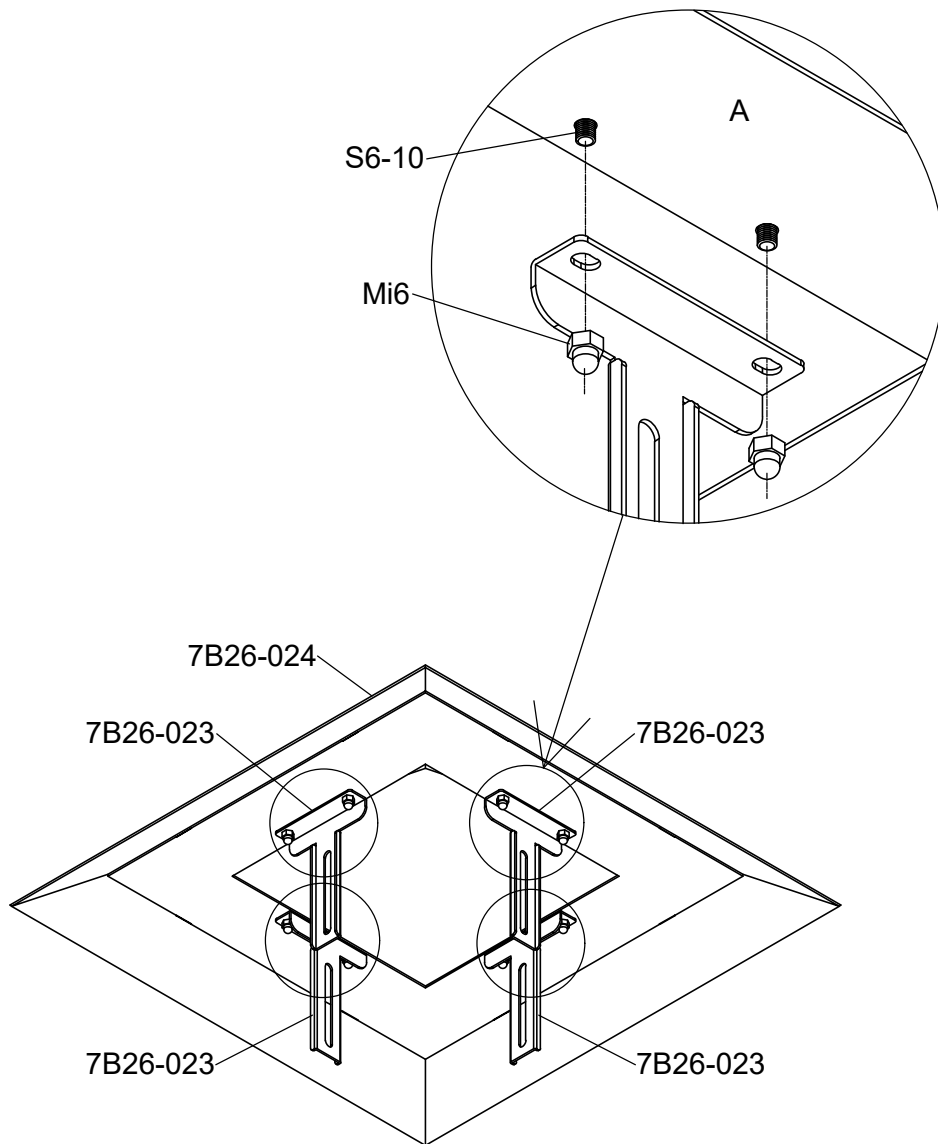
| Part | NO. | QTY. | Length(MM) |
|---|----------|------|------------|
|  | 7B26-016 | 4 | PCS |
|  | M4-10 | 16 | 10 |




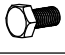



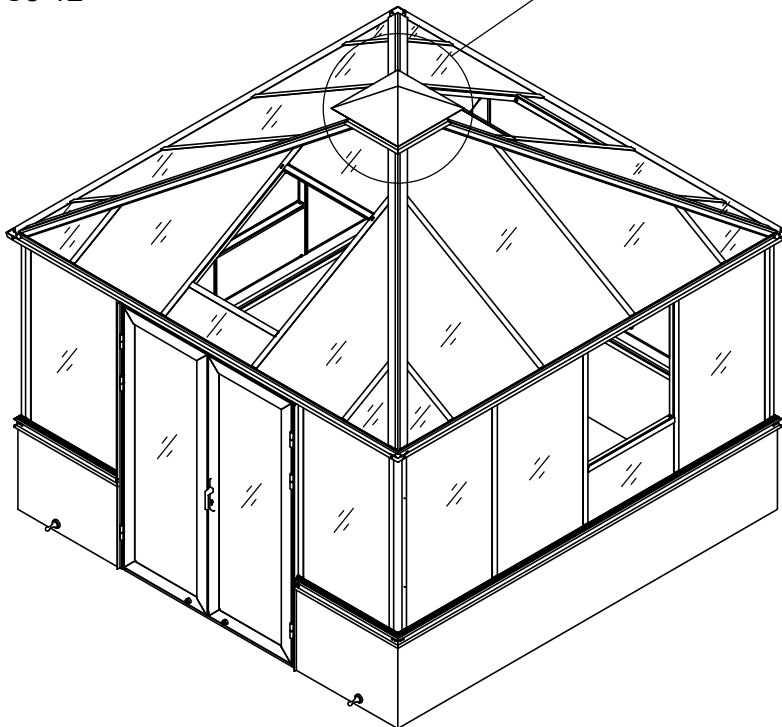
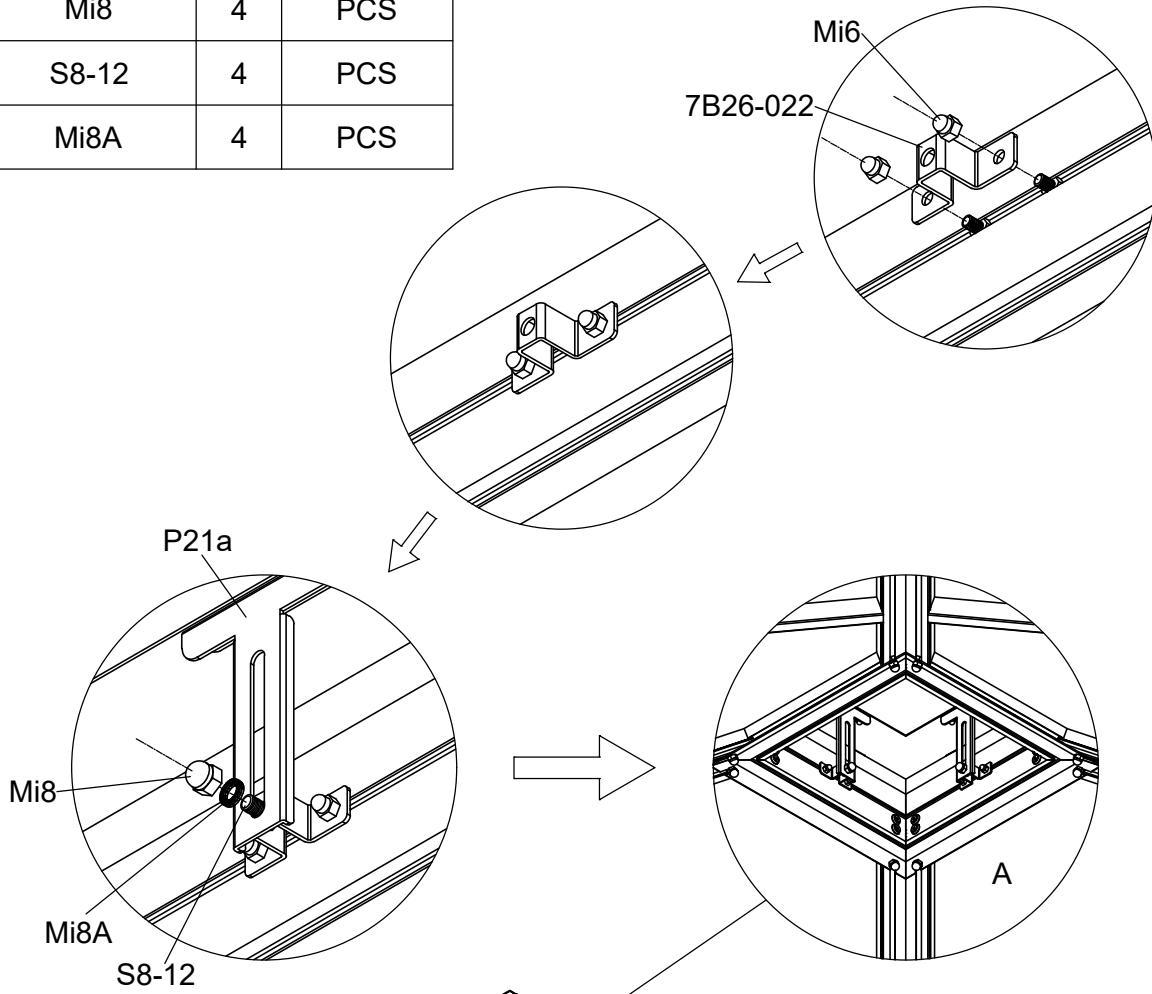
| Part | NO. | QTY. | Length(MM) |
|---|-----|------|------------|
|  | J08 | 1 | PCS |


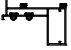
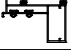

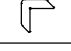
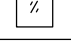



| Part | NO. | QTY. | Length(MM) |
|---|----------|------|------------|
|  | 7B26-024 | 1 | PCS |
|  | 7B26-023 | 4 | PCS |
|  | S6-10 | 8 | PCS |
|  | Mi6 | 8 | PCS |



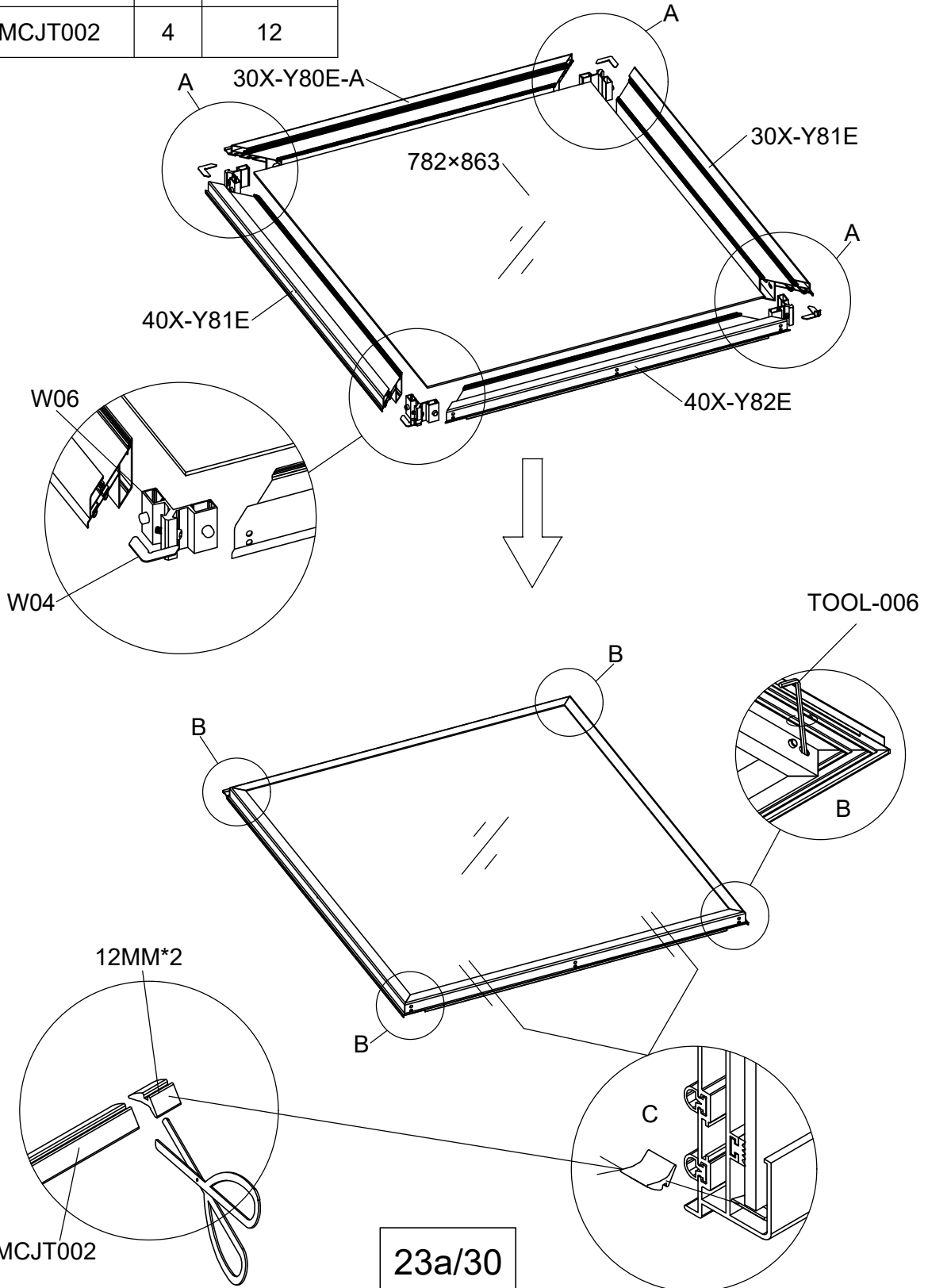
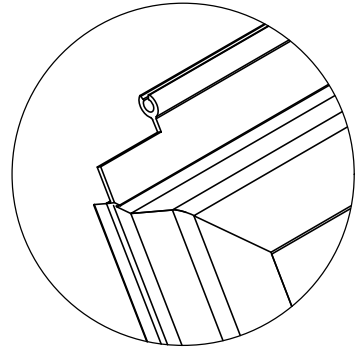
| Part | NO. | QTY. | Length(MM) |
|---|----------|------|------------|
|  | 7B26-022 | 4 | PCS |
|  | Mi6 | 8 | PCS |
|  | Mi8 | 4 | PCS |
|  | S8-12 | 4 | PCS |
|  | Mi8A | 4 | PCS |





| Part | NO. | QTY. | Length(MM) |
|---|------------|------|------------|
|  | 30X-Y80E-A | 2 | 801 |
|  | 40X-Y81E | 4 | 882 |
|  | 40X-Y82E | 2 | 801 |
|  | W06 | 8 | 46 |
|  | W04 | 8 | PCS |
|  | 782x863 | 2 | 863 |
|  | MCJT002 | 4 | 12 |

Roof Window

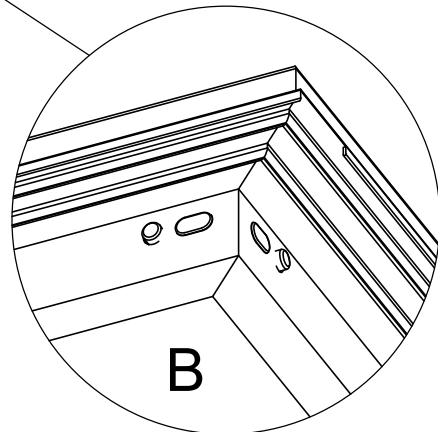
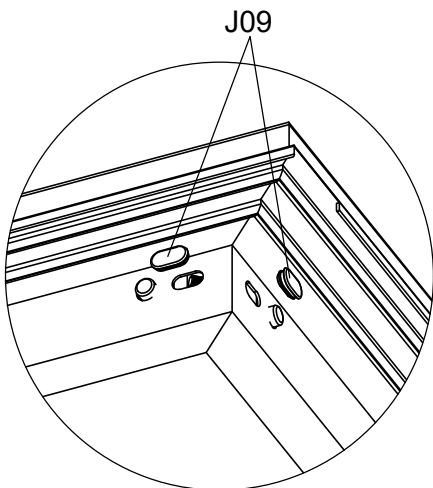
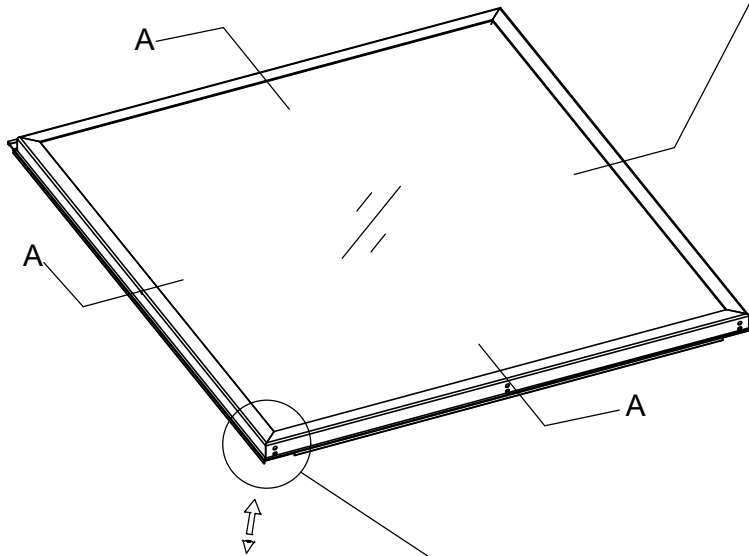
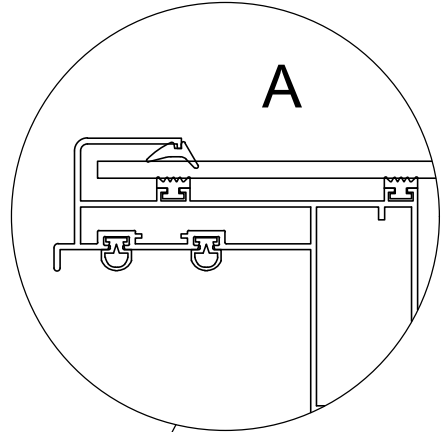
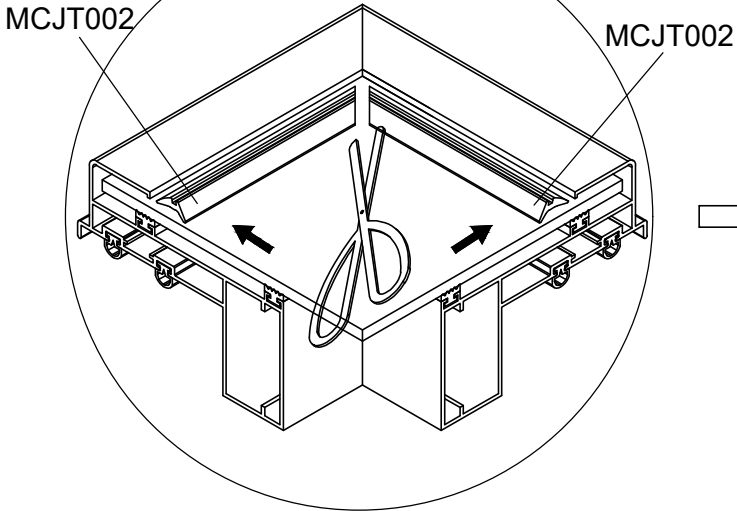
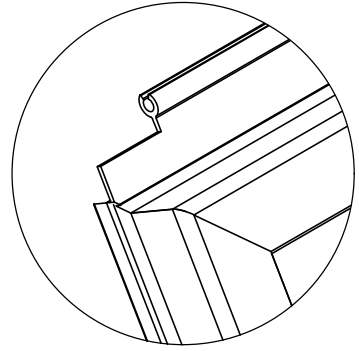
2 PCS

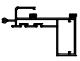
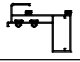
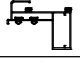
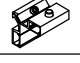
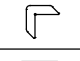




| Part | NO. | QTY. | Length(MM) |
|---|---------|------|------------|
|  | MCJT002 | 7M | |
|  | J09 | 16 | PCS |

Roof Window

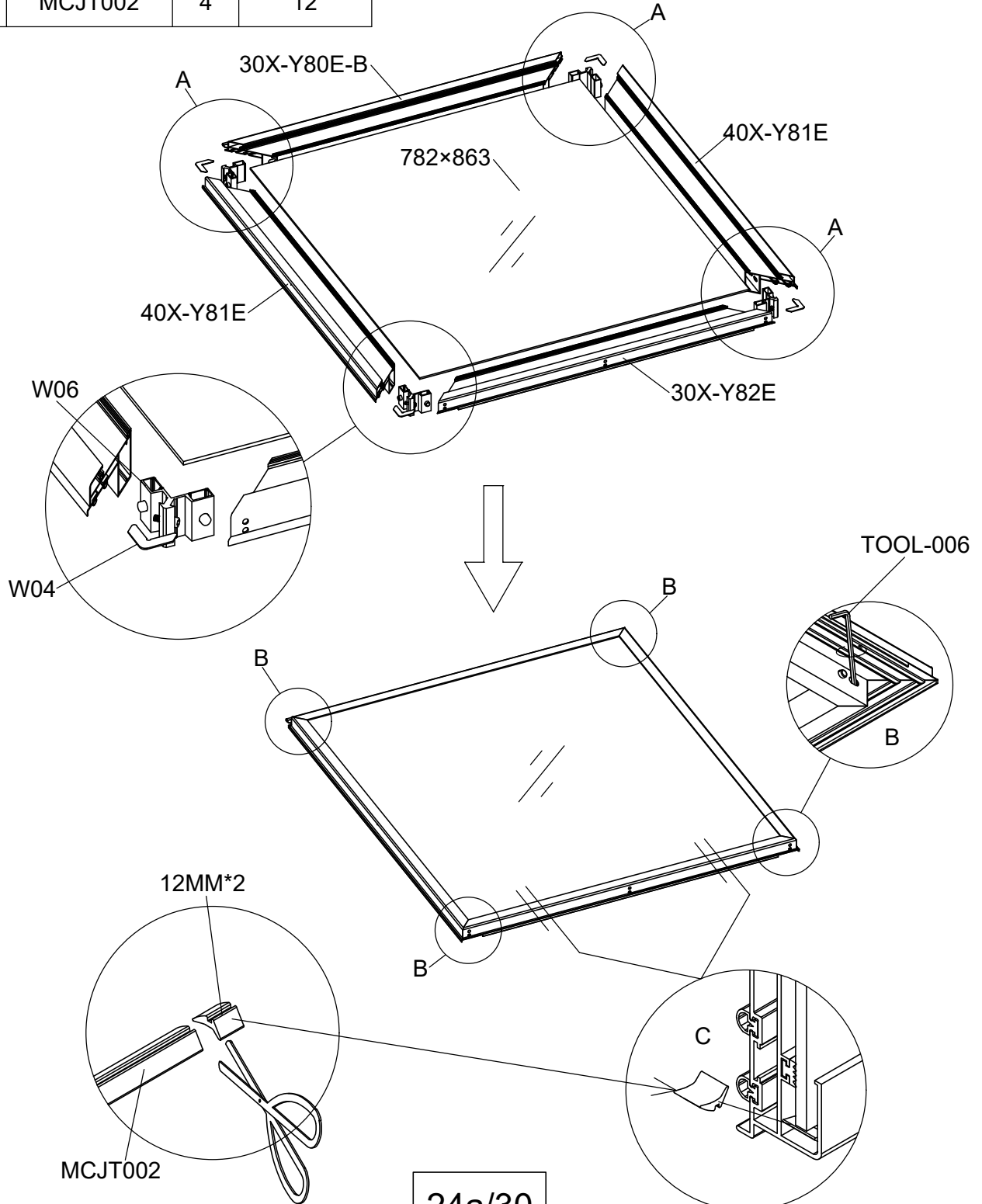
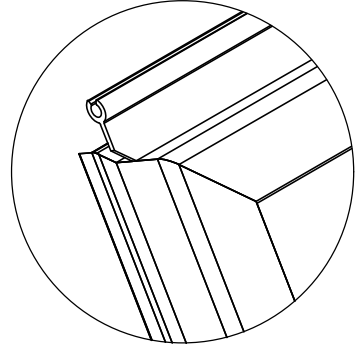
2 PCS





| Part | NO. | QTY. | Length(MM) |
|---|------------|------|------------|
|  | 30X-Y80E-B | 2 | 801 |
|  | 40X-Y81E | 4 | 882 |
|  | 30X-Y82E | 2 | 801 |
|  | W06 | 8 | 46 |
|  | W04 | 8 | PCS |
|  | 782x863 | 2 | 863 |
|  | MCJT002 | 4 | 12 |

Side Window

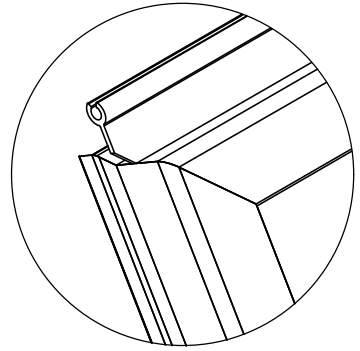
2 PCS



| Part | NO. | QTY. | Length(MM) |
|---|---------|------|------------|
|  | MCJT002 | 7M | |
|  | J09 | 16 | PCS |

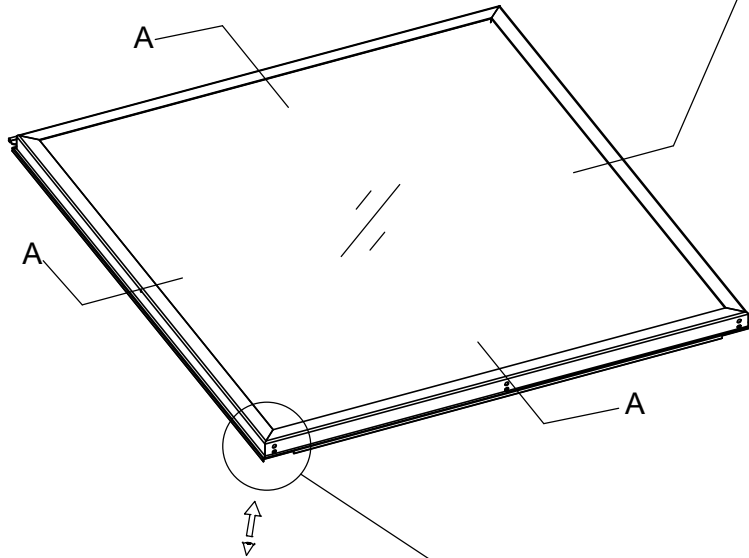
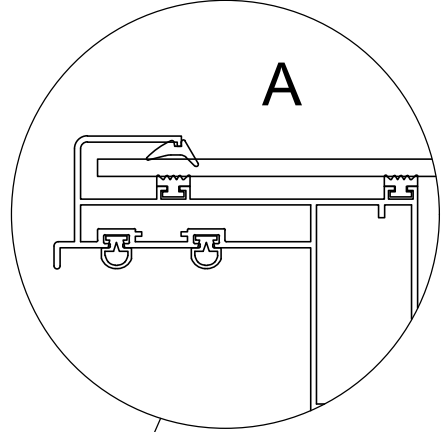
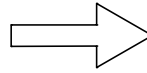
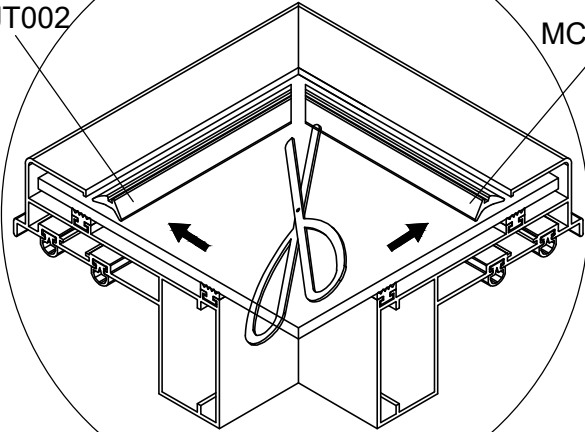
Side Window

2 PCS

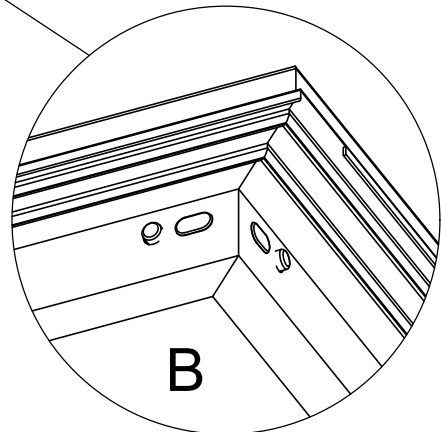
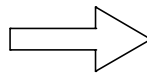
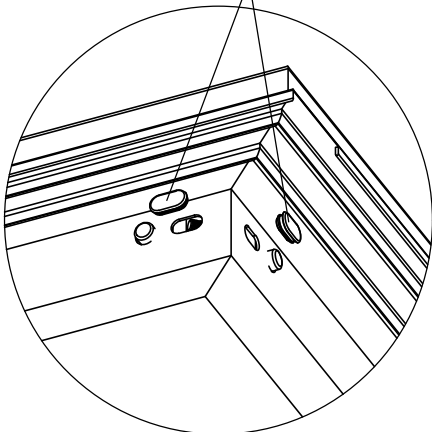





MCJT002

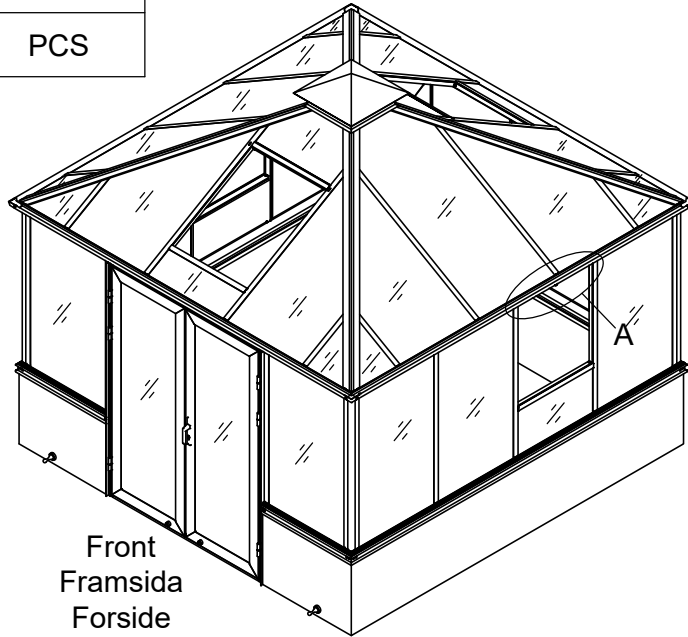
MCJT002



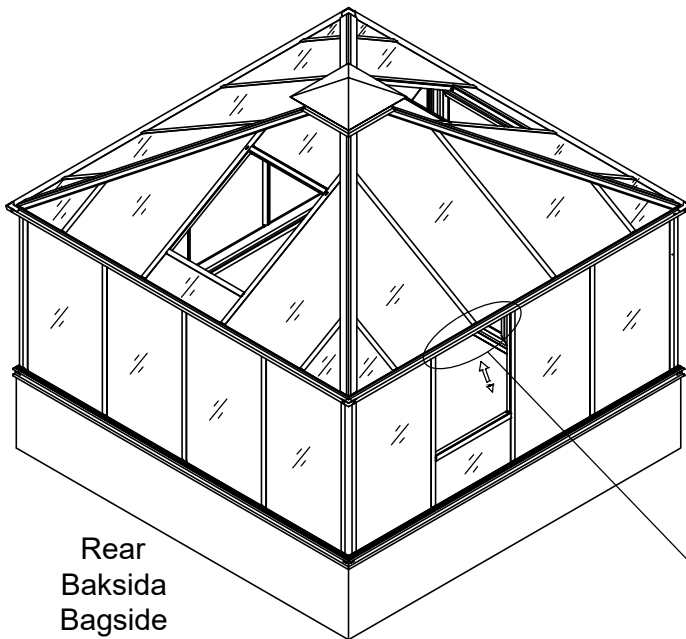
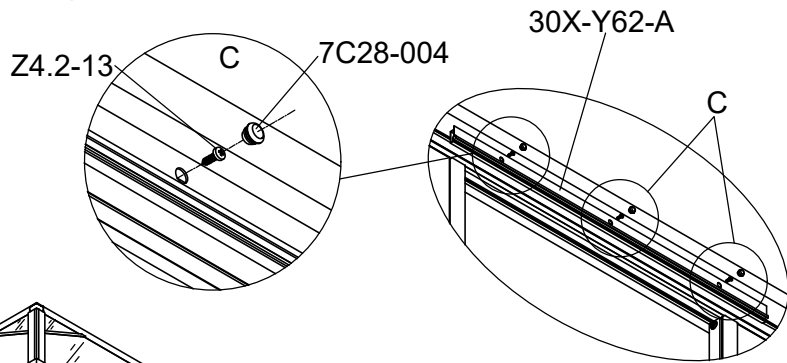
J09



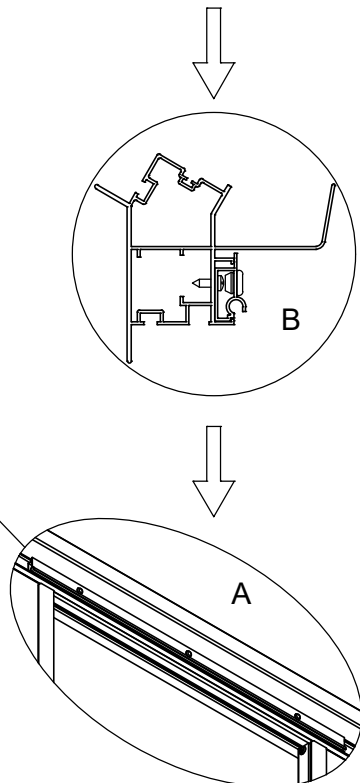
| Part | NO. | QTY. | Length(MM) |
|---|-----------|------|------------|
|  | 30X-Y62-A | 2 | 860 |
|  | Z4.2-13 | 6 | PCS |
|  | 7C28-004 | 6 | PCS |




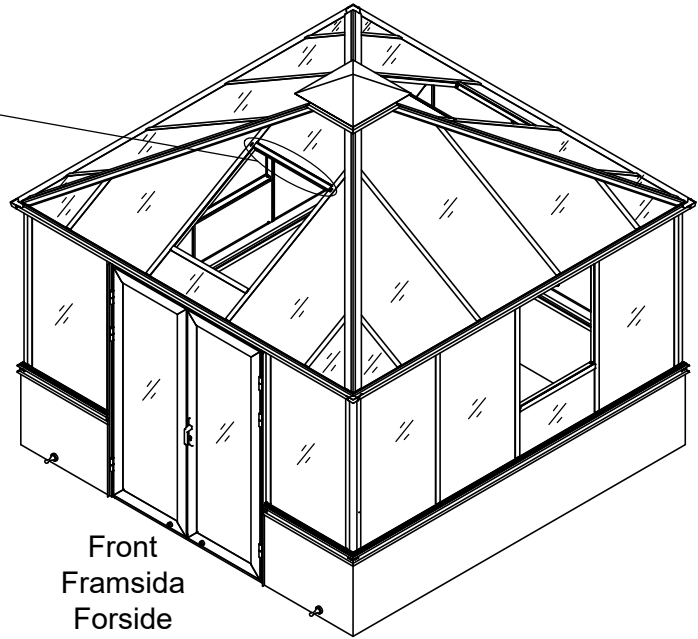
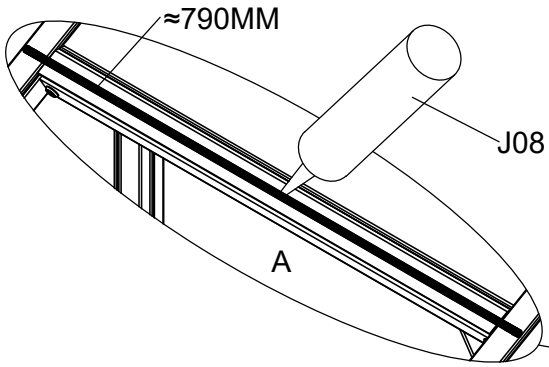
Front
Framsida
Forside
Framsida
Etupuoli



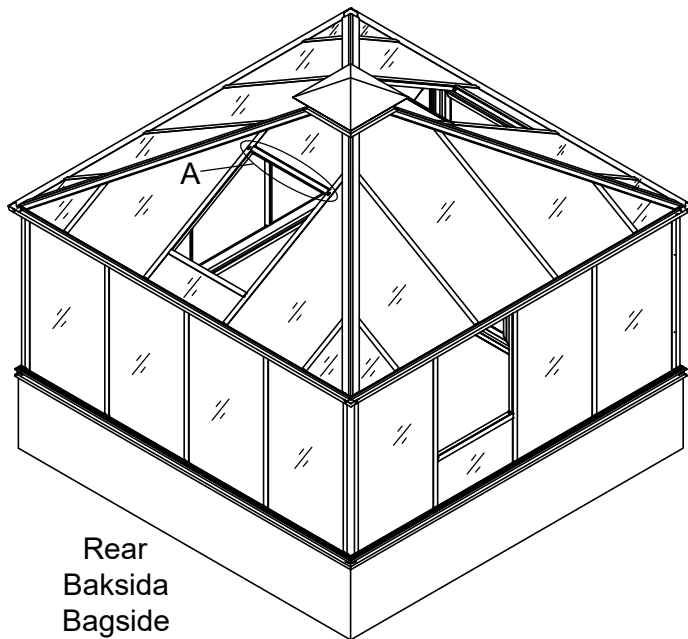
Rear
Baksida
Bagside
Baksida
Takapuoli







| Part | NO. | QTY. | Length(MM) |
|---|-----|------|------------|
|  | J08 | 1 | PCS |

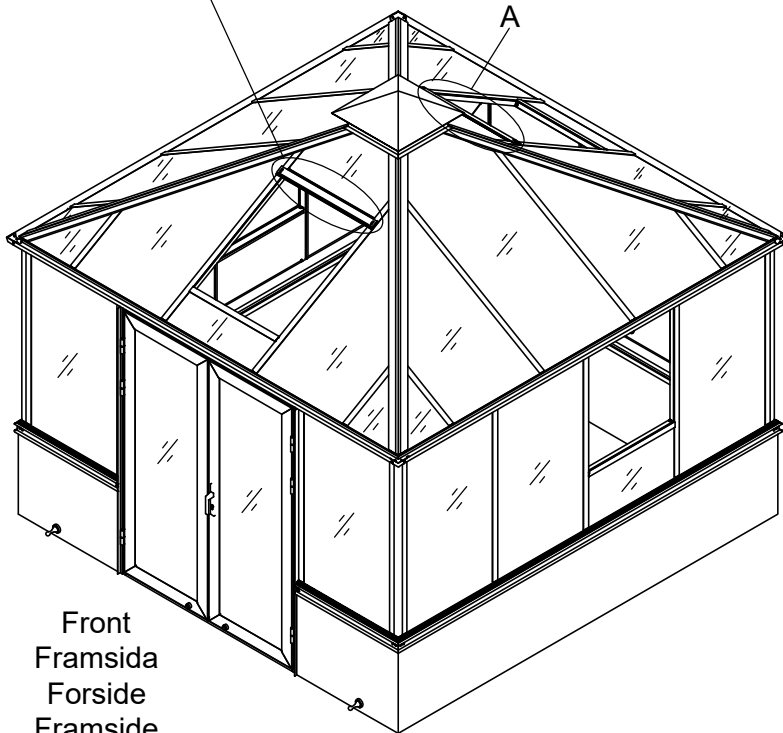
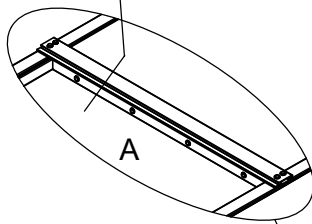
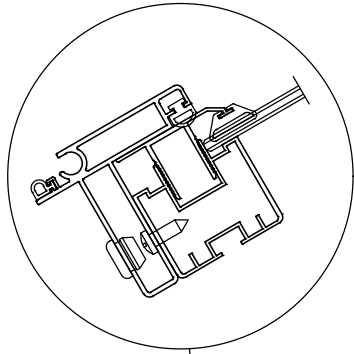
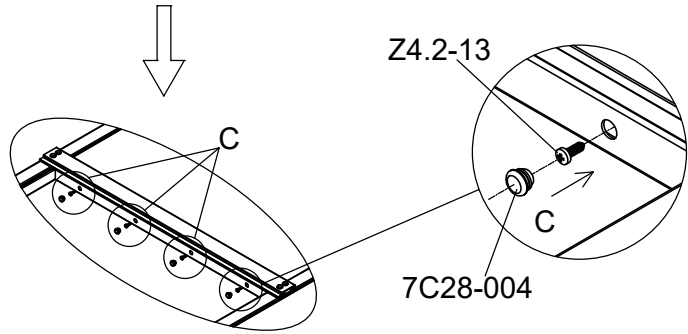
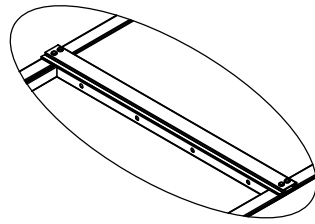
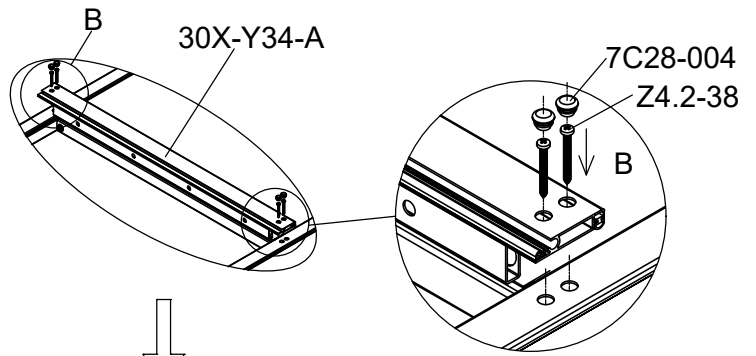


Front
 Framsida
 Forside
 Framside
 Etupuoli





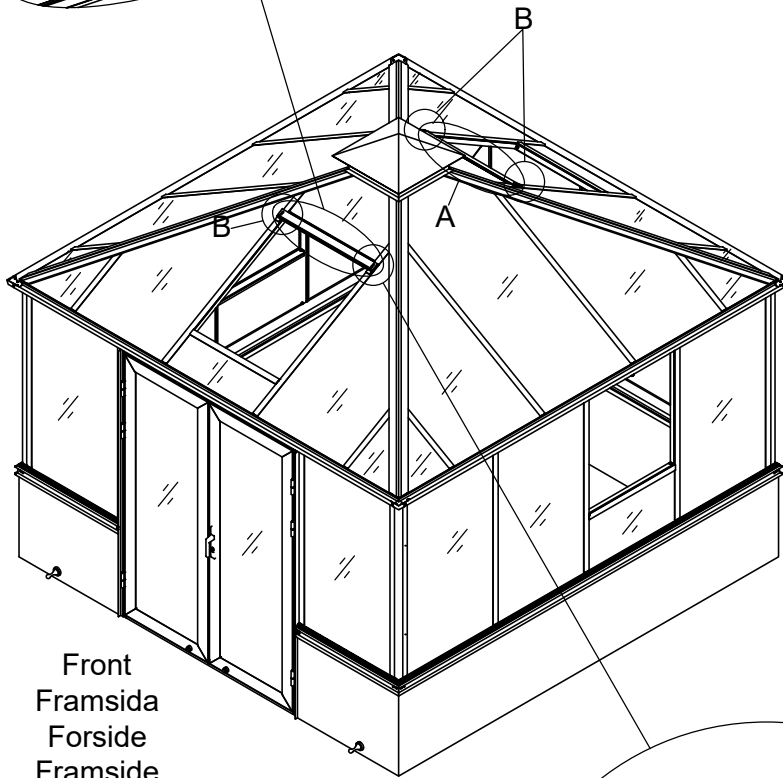
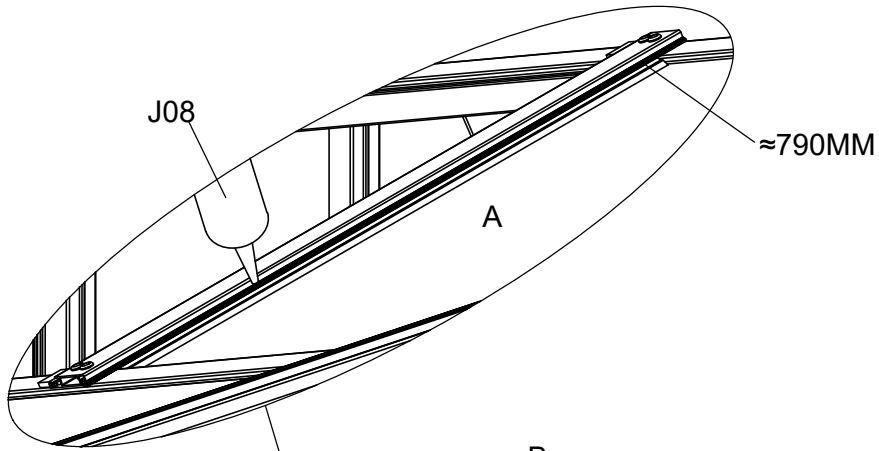
Rear
 Baksida
 Bagside
 Baksida
 Takapuoli

| Part | NO. | QTY. | Length(MM) |
|---|-----------|------|------------|
|  | 30X-Y34-A | 2 | 790 |
|  | Z4.2-13 | 8 | PCS |
|  | Z4.2-38 | 8 | PCS |
|  | 7C28-004 | 16 | PCS |

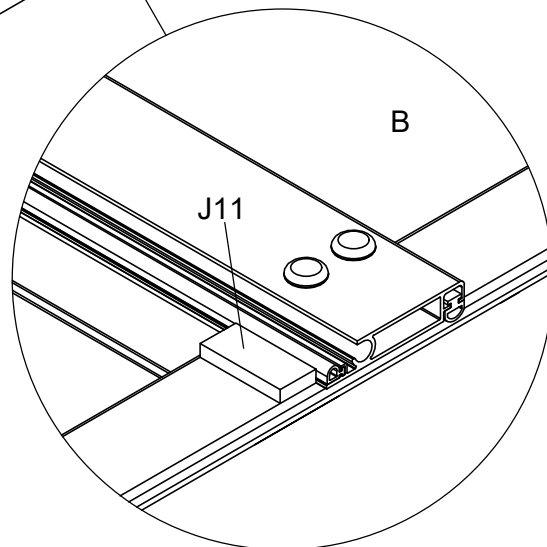



Front
Fransida
Forside
Franside
Etupuoli

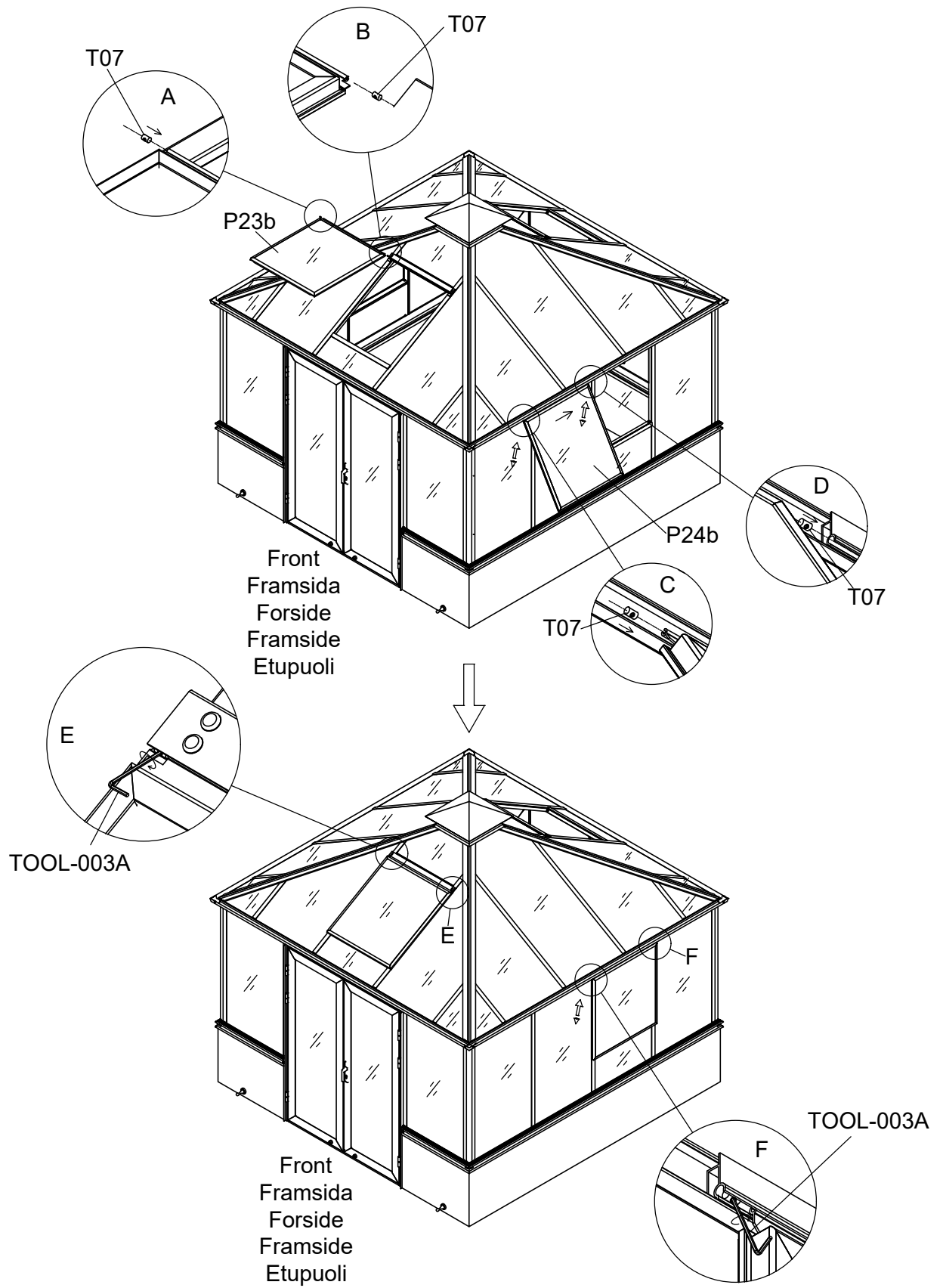
| Part | NO. | QTY. | Length(MM) |
|---|-----|------|------------|
|  | J11 | 4 | PCS |
|  | J08 | 1 | PCS |




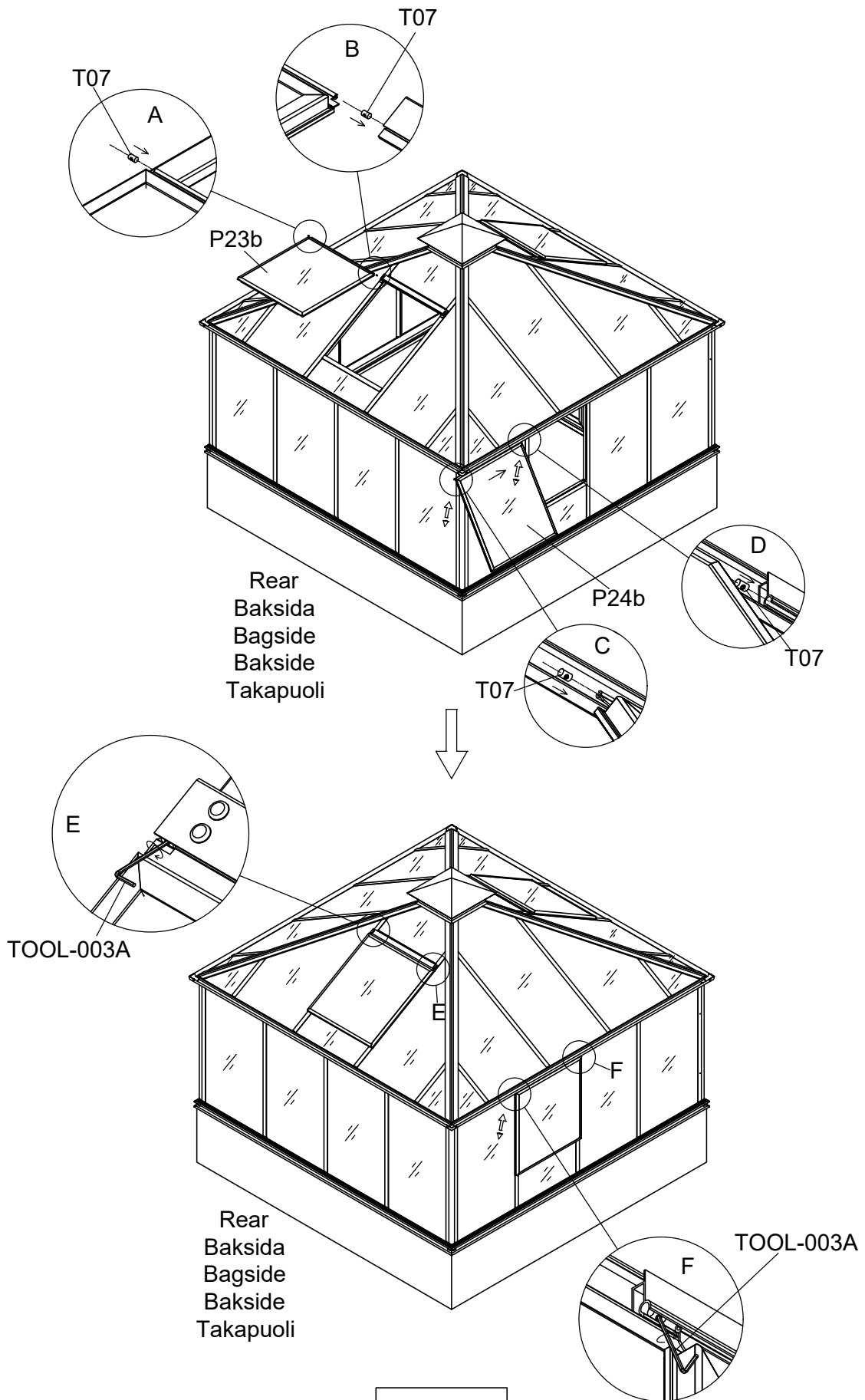
Front
 Framsida
 Forside
 Framside
 Etupuoli






| Part | NO. | QTY. | Length(MM) |
|---|-----|------|------------|
|  | T07 | 4 | PCS |



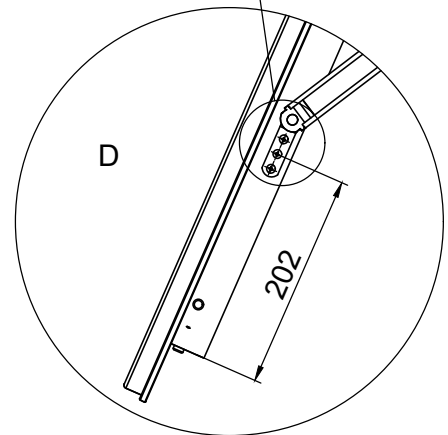
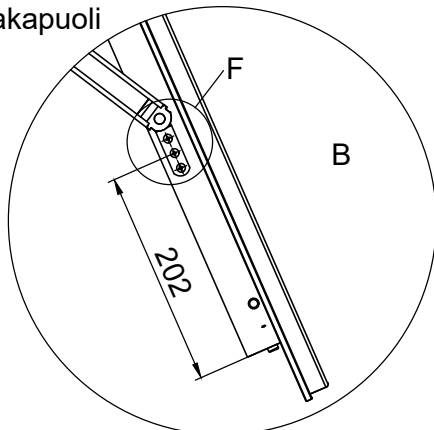
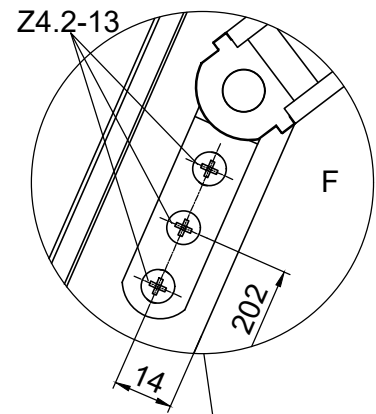
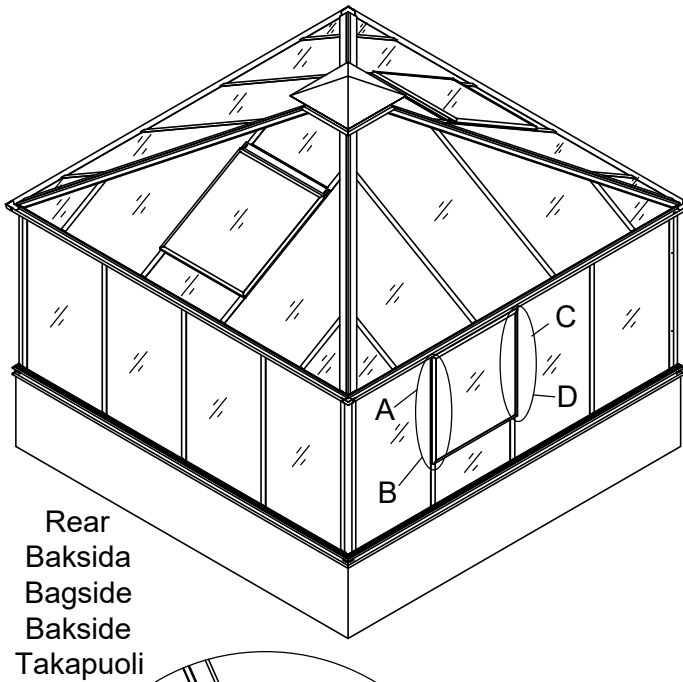
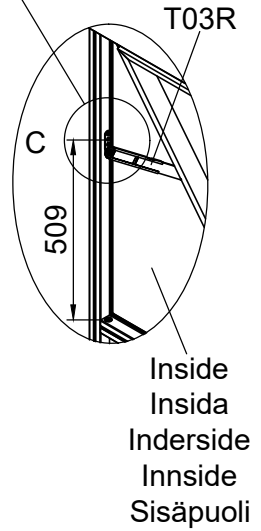
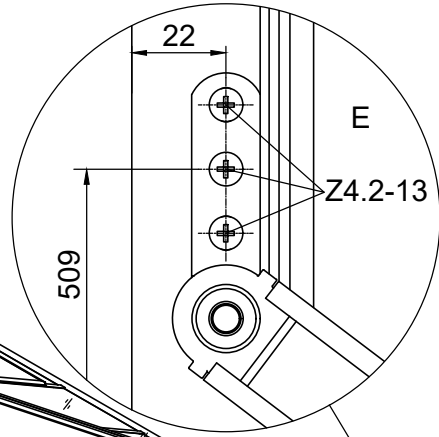
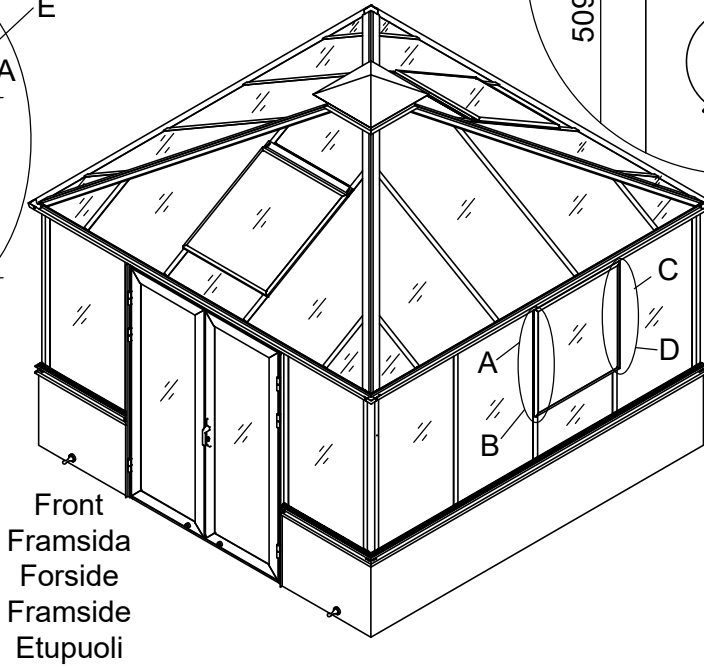
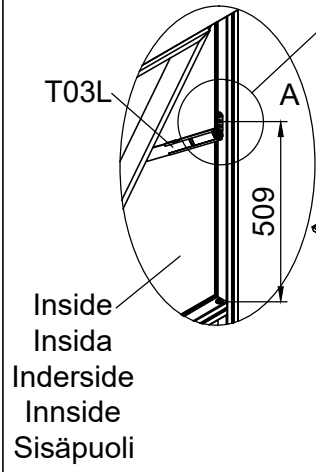
| Part | NO. | QTY. | Length(MM) |
|---|-----|------|------------|
|  | T07 | 4 | PCS |

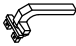



26b/30

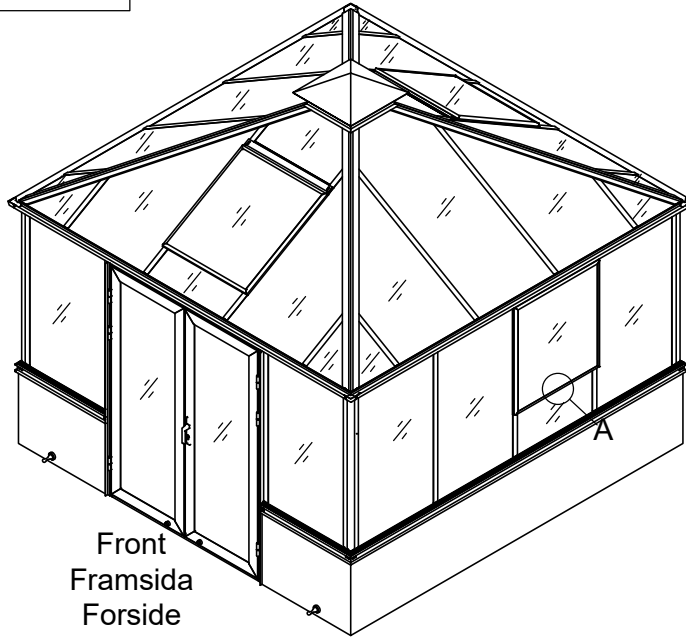
| Part | NO. | QTY. | Length(MM) |
|---|---------|------|------------|
|  | T03R | 2 | PCS |
|  | T03L | 2 | PCS |
|  | Z4.2-13 | 24 | PCS |

2 PCS

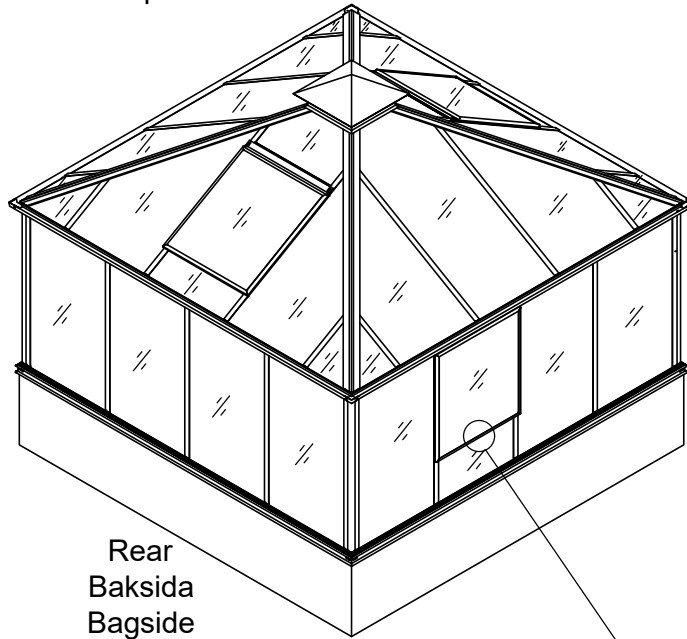


| Part | NO. | QTY. | Length(MM) |
|---|-------|------|------------|
|  | T02A | 2 | PCS |
|  | M5-35 | 4 | PCS |

2 PCS

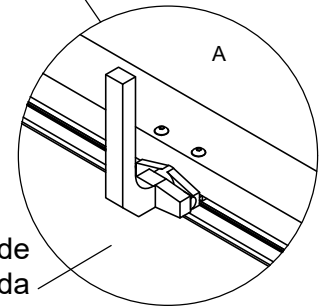
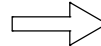
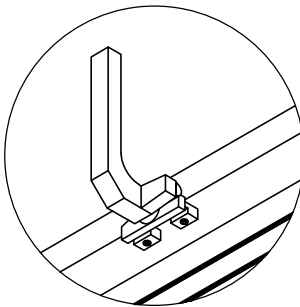
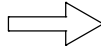
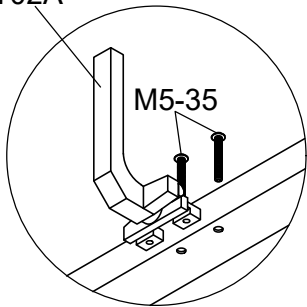


Front
Framsida
Forside
Framsida
Etupuoli




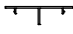
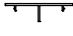
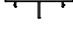
Rear
Baksida
Bagside
Baksida
Takapuoli

T02A

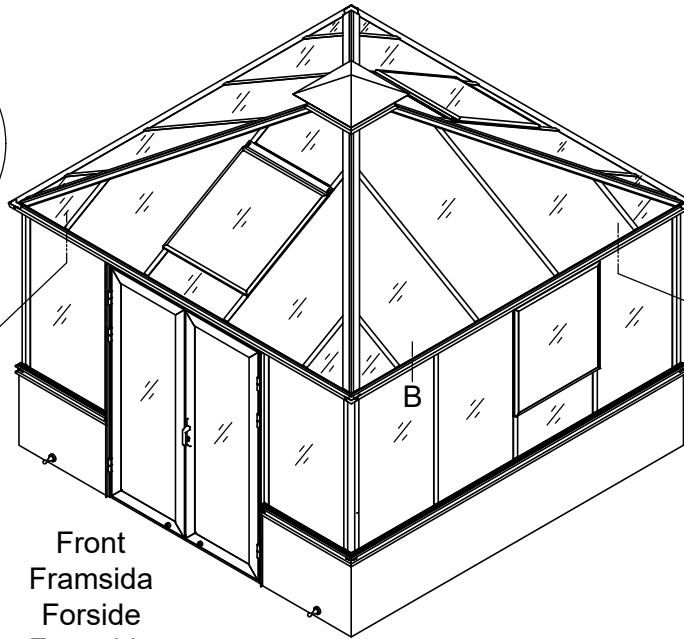
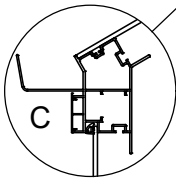
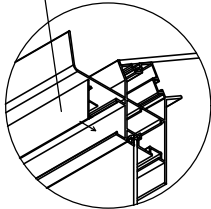


Inside
Indside
Inderside
Innside
Sisäpuoli

27b/30

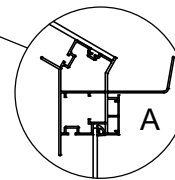
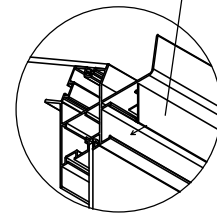
| Part | NO. | QTY. | Length(MM) | CTN NO. |
|---|-------------|------|------------|-------------------|
|  | 30X-Y60-4AN | 1 | 3136 | 3000P-30X-Y60-4AN |
|  | 30X-Y60-4AN | 1 | 3136 | 3033P-S-4F |
|  | 30X-Y62-BN | 2 | 1512 | 3033P-S-BASE4 |
|  | 30X-Y62-CN | 2 | 761 | 3033P-S-BASE4 |

30X-Y60-4AN

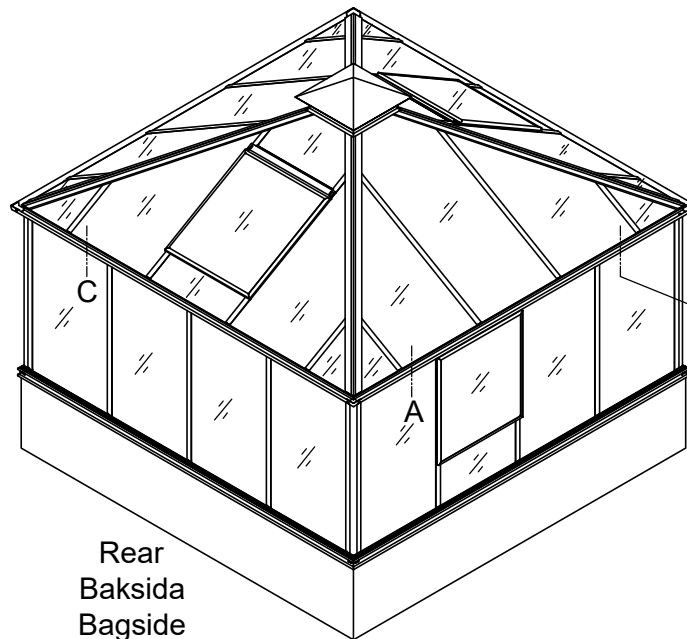
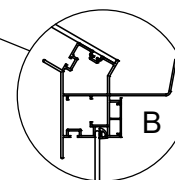
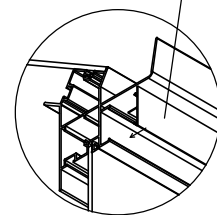


Front
Fransida
Forside
Franside
Etupuoli


30X-Y62-CN

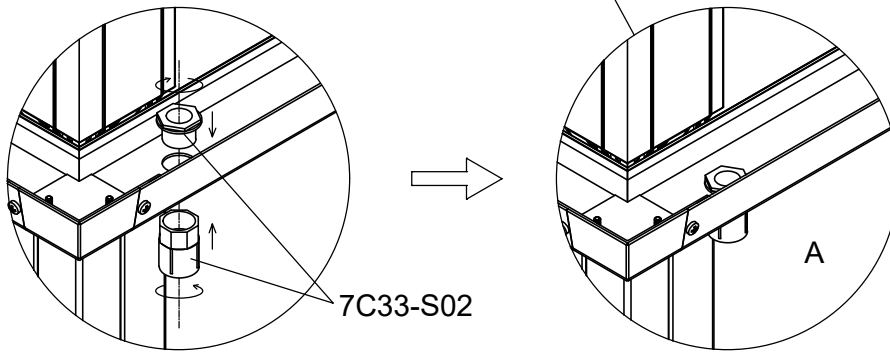
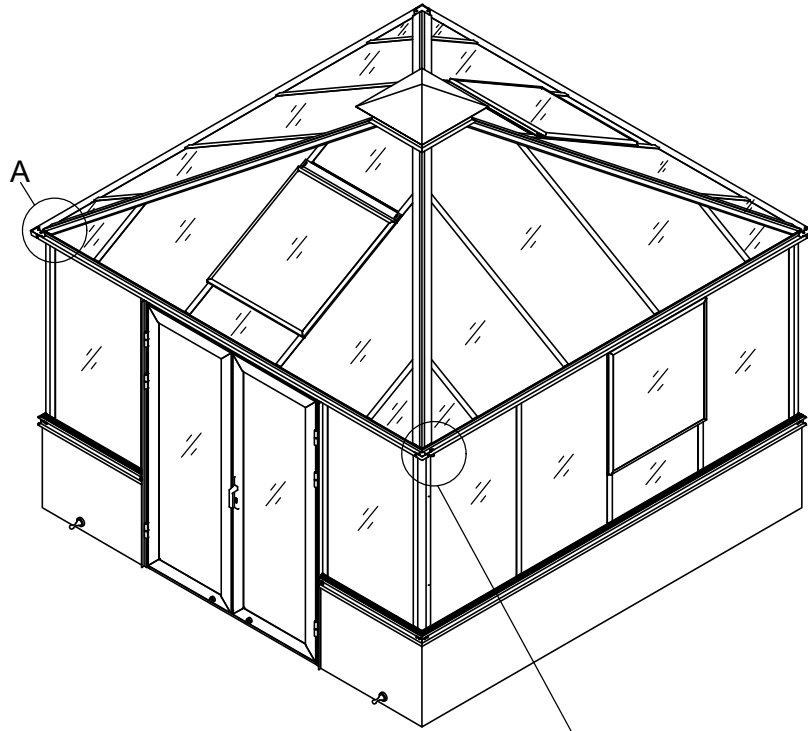


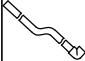
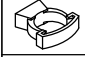




30X-Y62-BN

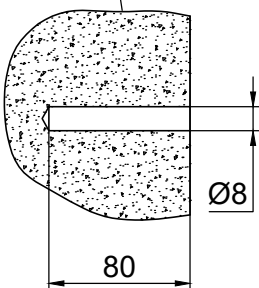
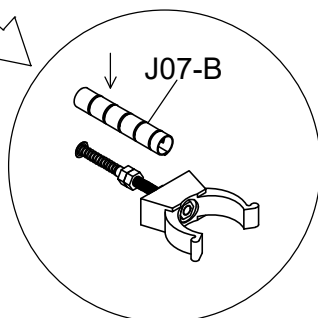
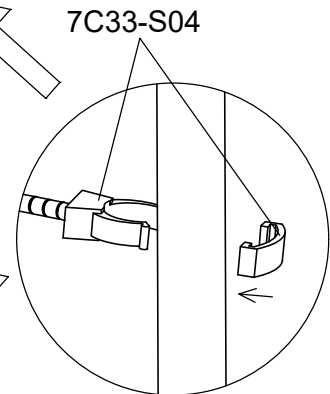
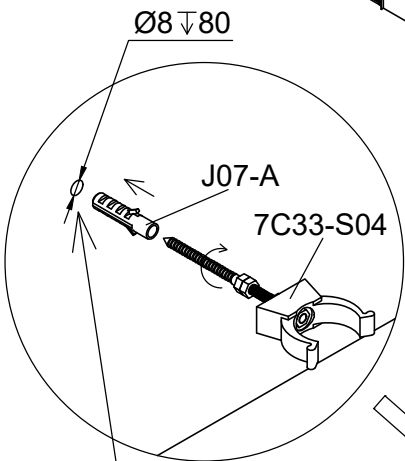
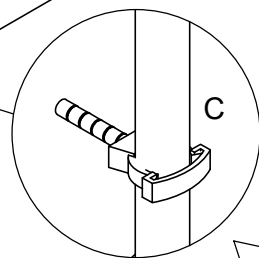
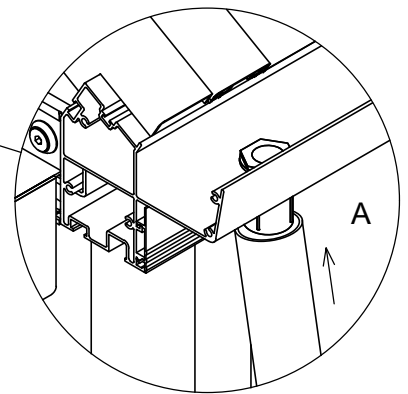
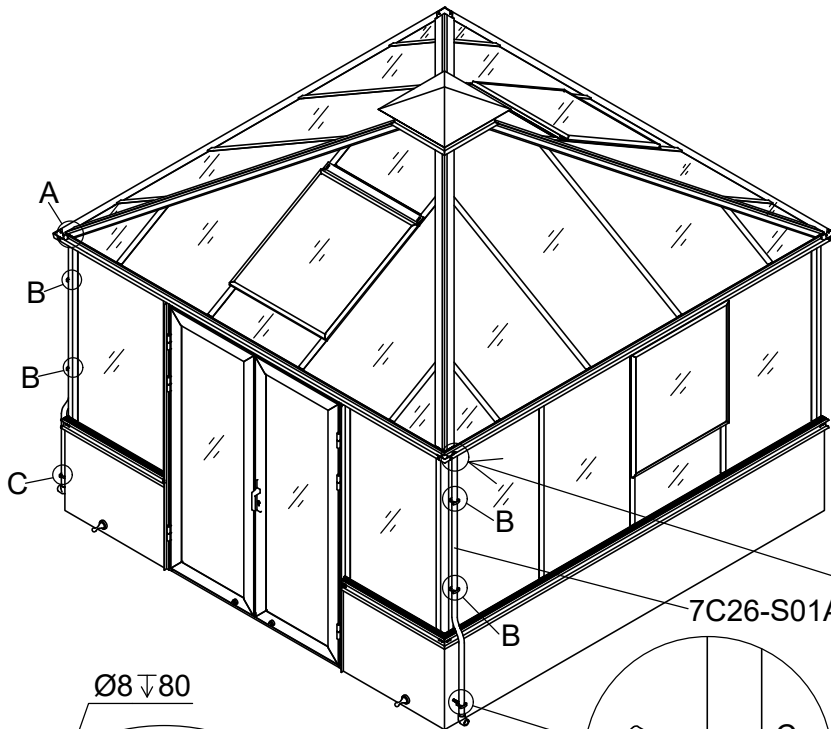
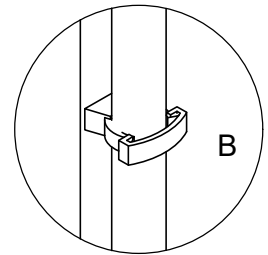
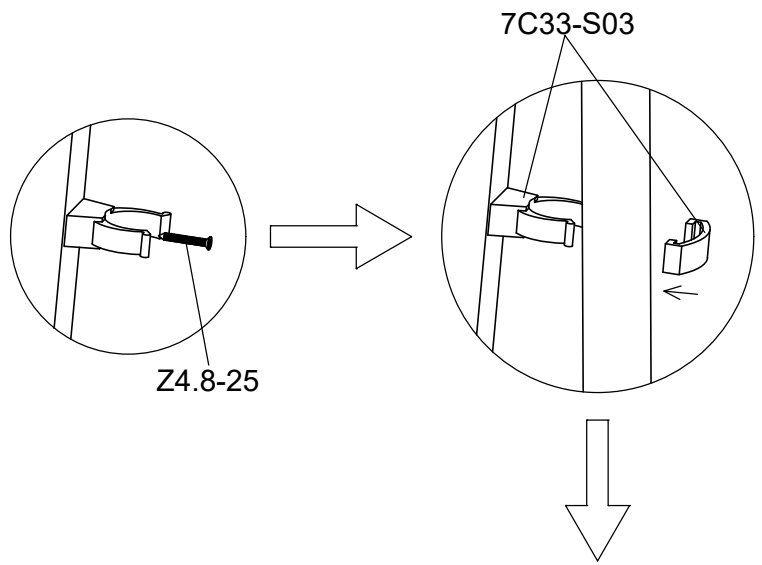


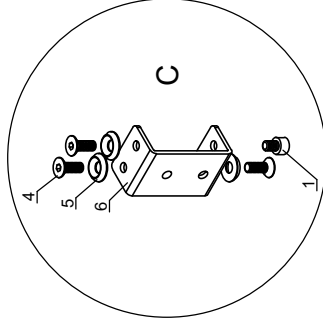
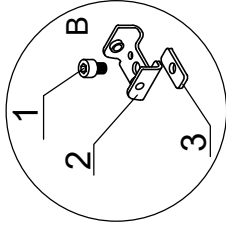
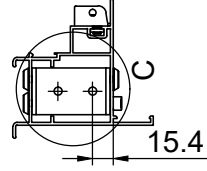
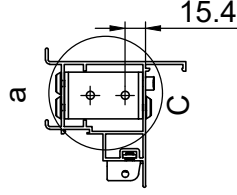
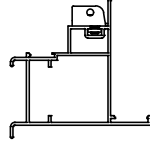
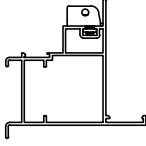
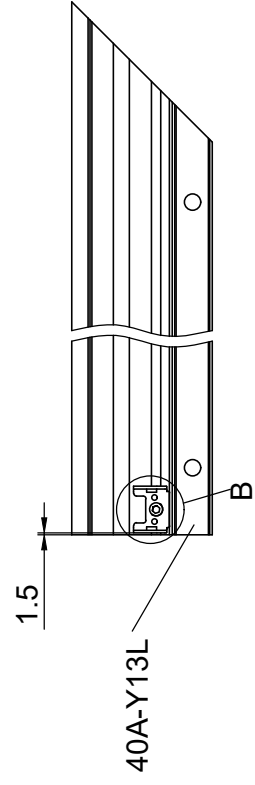
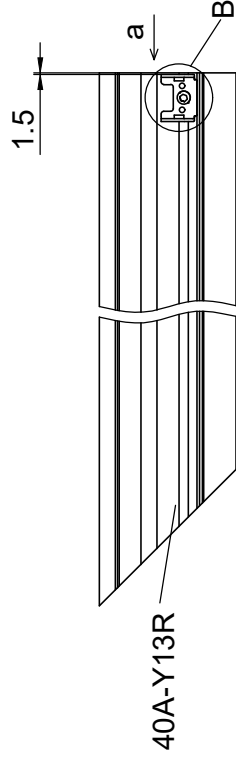
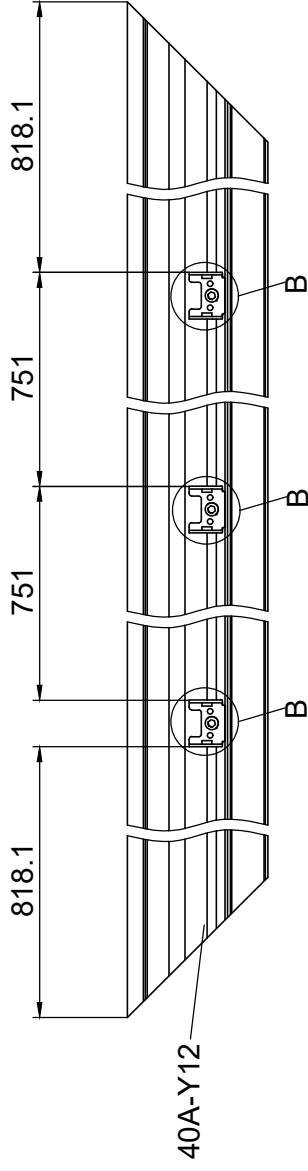
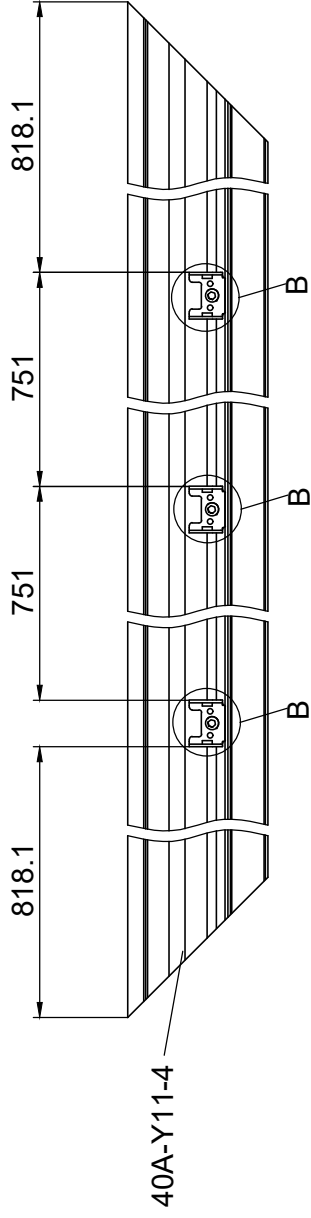
Rear
Baksida
Bagside
Baksida
Takapuoli

| Part | NO. | QTY. | Length(MM) |
|---|----------|------|------------|
|  | 7C33-S02 | 2 | PCS |



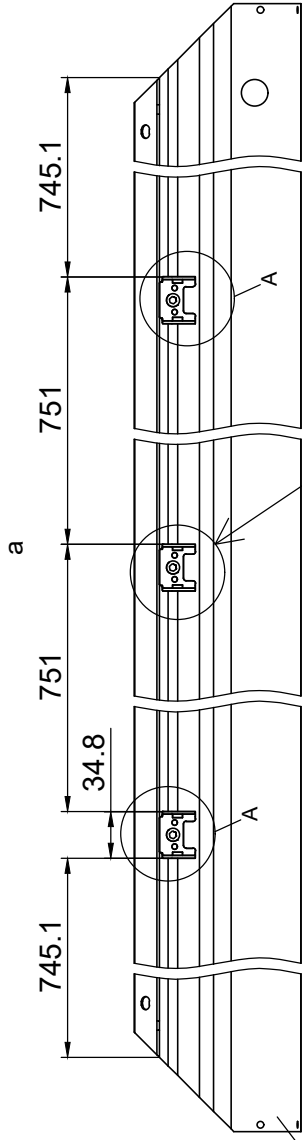
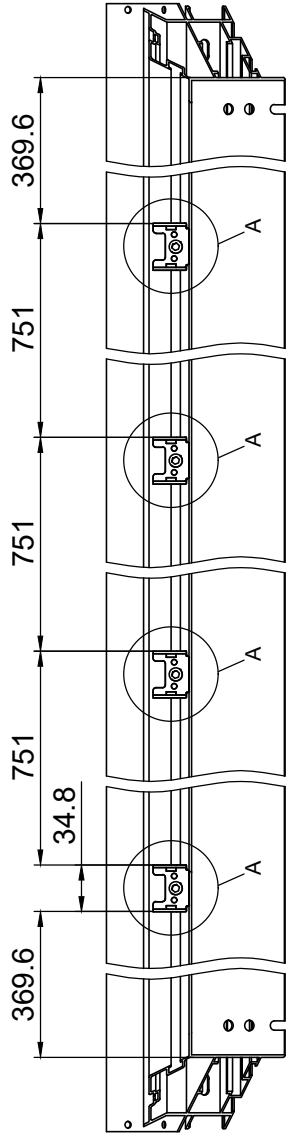
| Part | NO. | QTY. | Length(MM) |
|--|-----------|------|------------|
|  | 7C26-S01A | 2 | 1900 |
|  | 7C33-S03 | 4 | PCS |
|  | Z4.8-25 | 4 | PCS |
|  | 7C33-S04 | 2 | PCS |
|  | J07-A | 2 | PCS |
|  | J07-B | 2 | PCS |



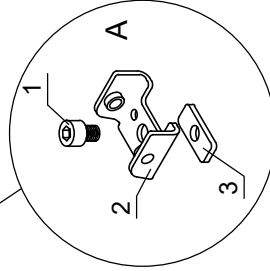
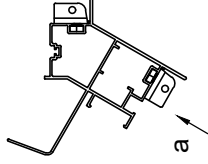


| NO. | |
|-----|-----------|
| 1 | M6-8 |
| 2 | 7B26-011 |
| 3 | 7B26-025 |
| 4 | Si6-16 |
| 5 | J05 |
| 6 | 7B26-037A |

F1

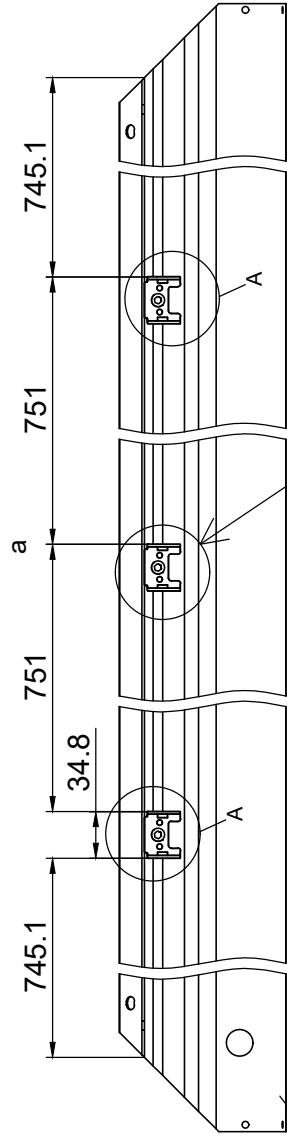
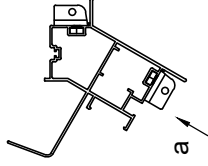
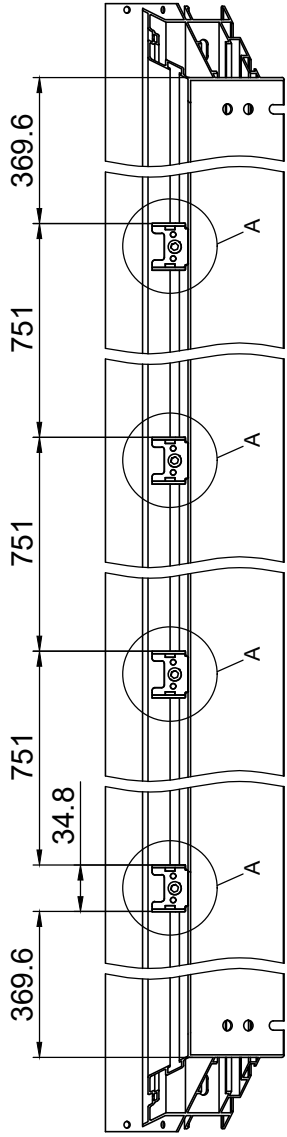


30X-Y62-4NR

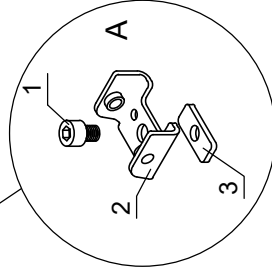


| NO. | |
|-----|----------|
| 1 | M6-8 |
| 2 | 7B26-011 |
| 3 | 7B26-025 |

F2

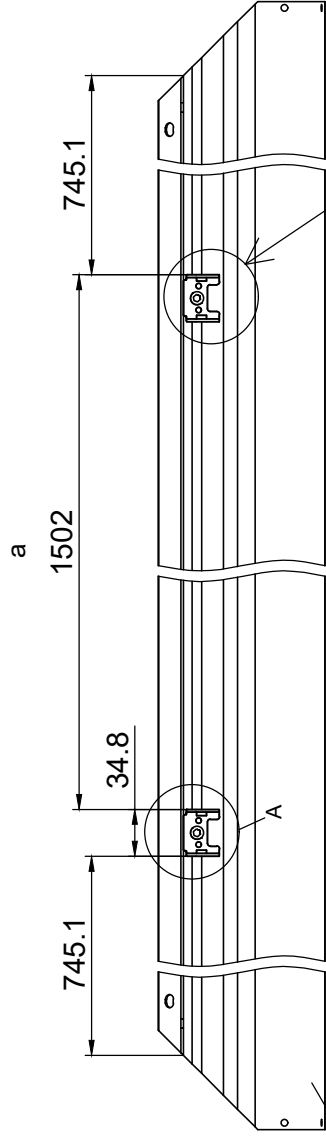
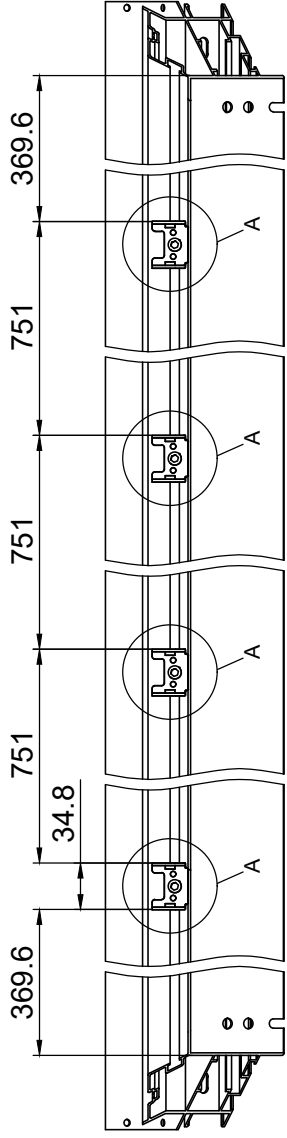


30X-Y62-4NL

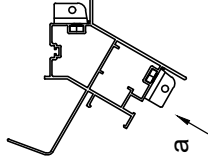
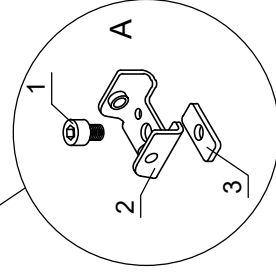


| NO. | |
|-----|----------|
| 1 | M6-8 |
| 2 | 7B26-011 |
| 3 | 7B26-025 |

F3

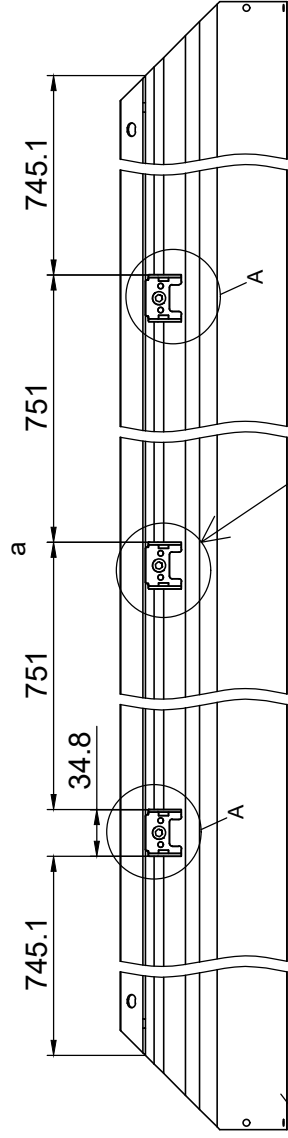
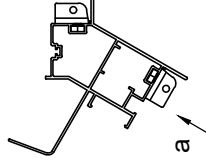
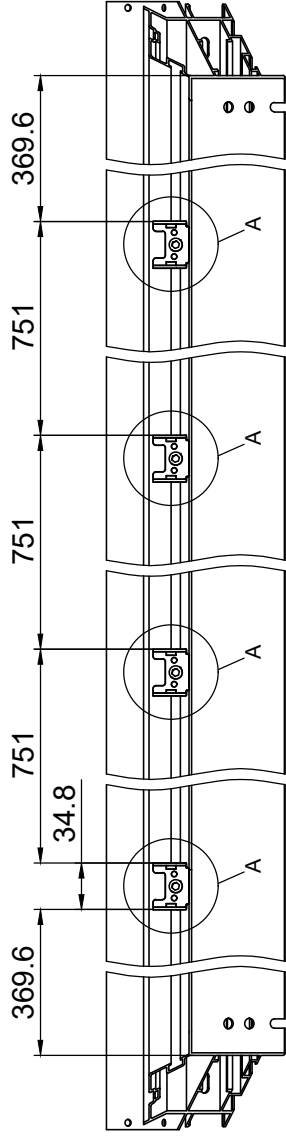


30X-Y61-4

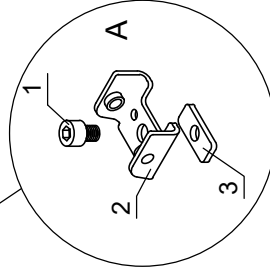


| NO. | |
|-----|----------|
| 1 | M6-8 |
| 2 | 7B26-011 |
| 3 | 7B26-025 |

F4

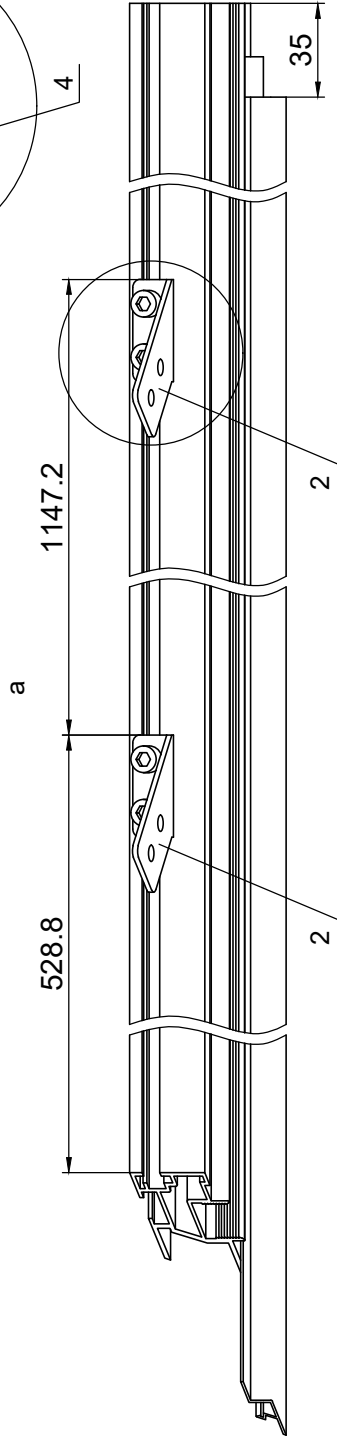
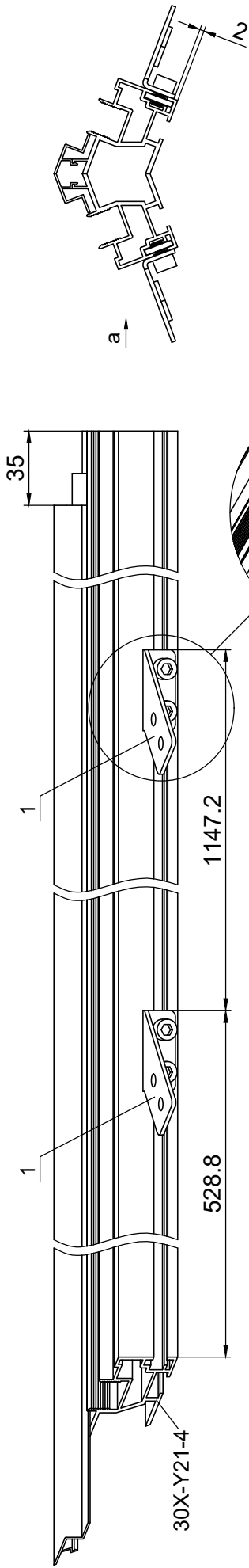


30X-Y60-4



| NO. | |
|-----|----------|
| 1 | M6-8 |
| 2 | 7B26-011 |
| 3 | 7B26-025 |

F5



NO.

| | |
|---|----------|
| 1 | 7B26-020 |
| 2 | 7B26-021 |
| 3 | 7B26-019 |
| 4 | M6-8 |

F6